

# PEARL DRUMS Spare Parts Catalog 2009

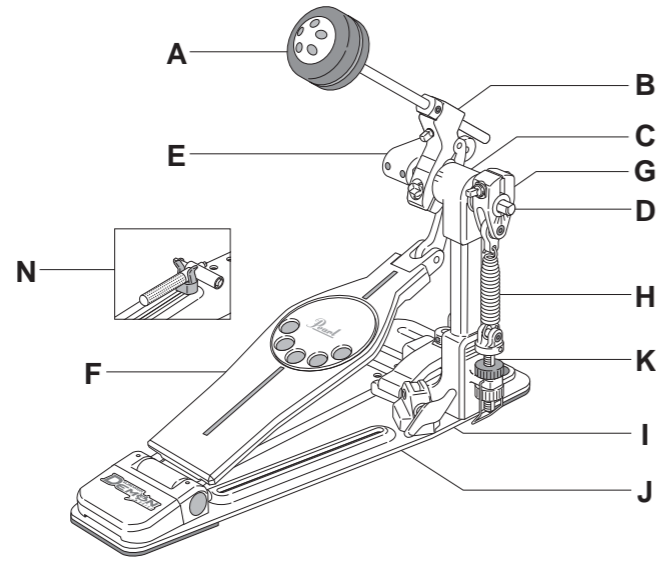


## CONTENTS

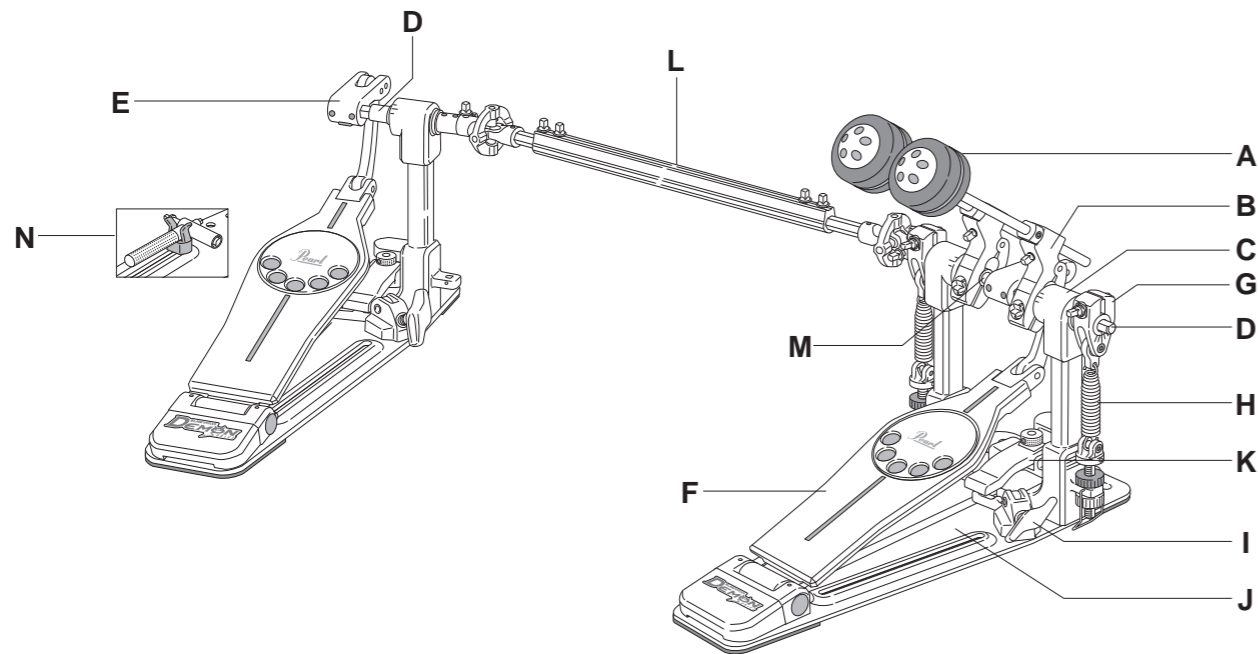
DRUM PEDALS .....	1-10
HI-HAT STANDS .....	11-17
HI-HAT ACCESSORIES .....	18
ACCESSORIES .....	19
SNARE STANDS .....	20-22
DRUM THRONES .....	23-26
CYMBAL BOOM STANDS .....	27-30
CYMBAL STANDS .....	31-32
FLAT BASE STAND .....	33
CYMBAL HOLDERS .....	33-35
TOM STANDS .....	36-37
TOM HOLDERS .....	37-38
ADAPTERS .....	39
F.F.S. SNARE DRUM .....	40
DRUM RACKS, PIPE CLAMPS, RACK JOINT .....	41-42
OPTIMOUNT, I.S.S. ....	43-44
TOM HOLDER BASES, BRACKETS .....	44
BASS DRUM SPURS .....	45
FLOOR TOM LEG BRACKETS, LEGS .....	46-47
STOP LOCKS, SNARE WIRES .....	47
HOOPS .....	48
STRAINERS .....	49-50
LUGS, BOLTS, TENSION CLAWS .....	51-52
PRACTICE PADS .....	53

# DRUM PEDALS

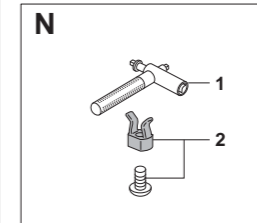
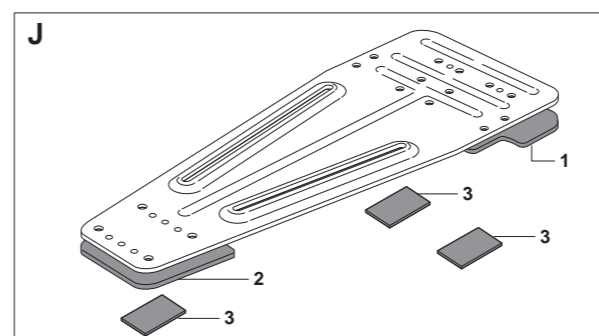
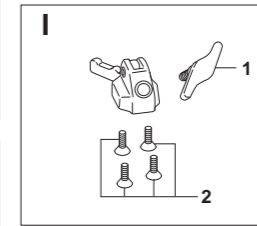
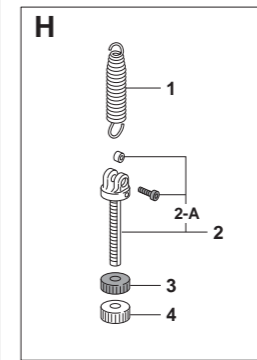
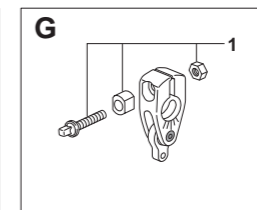
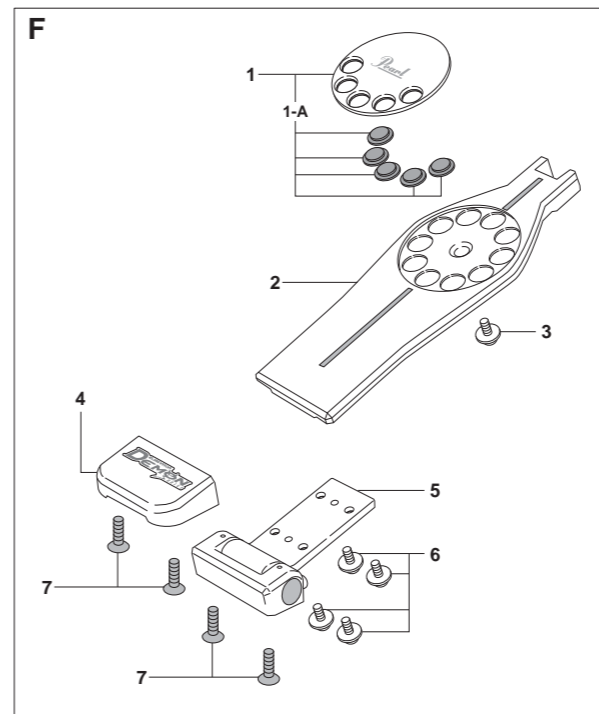
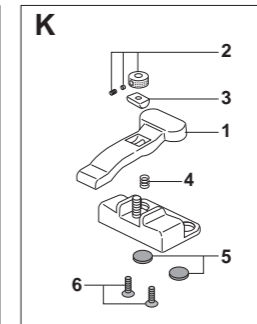
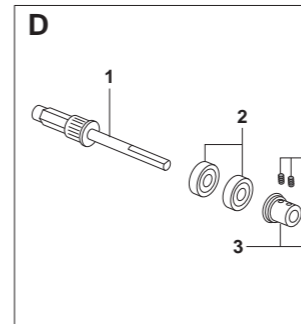
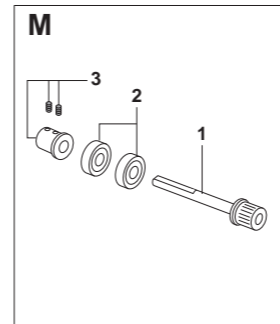
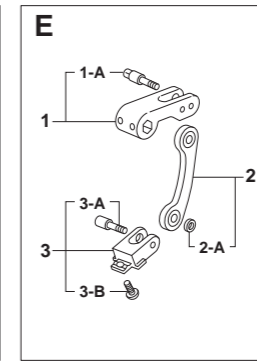
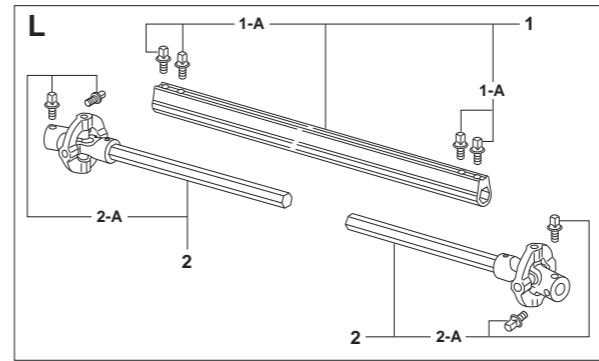
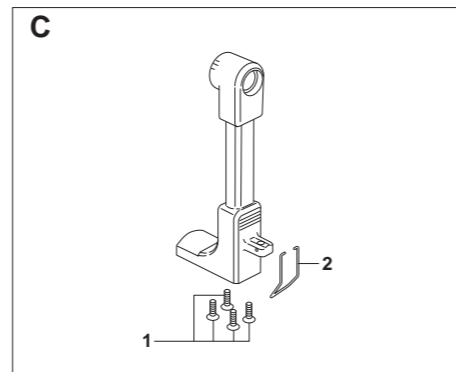
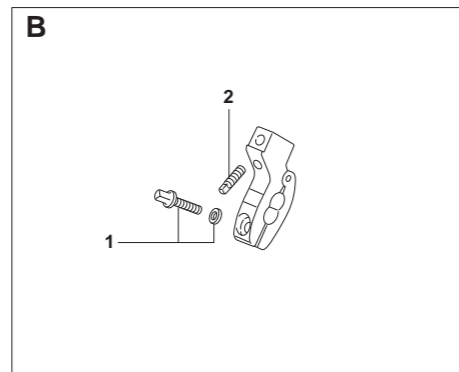
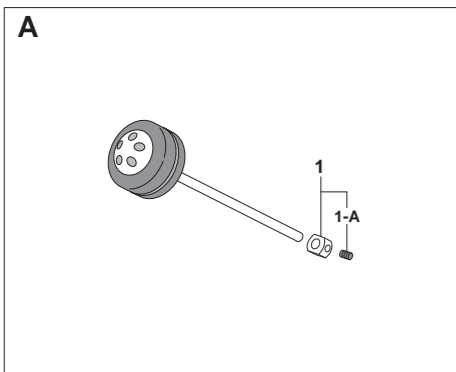
## P-3000D/P-3002D



(P-3000D)



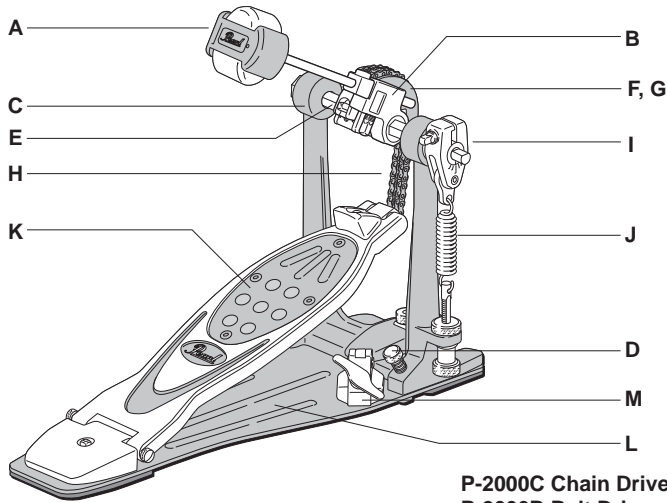
(P-3002D)



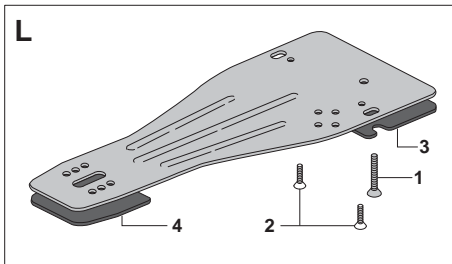
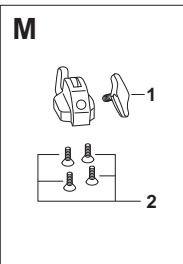
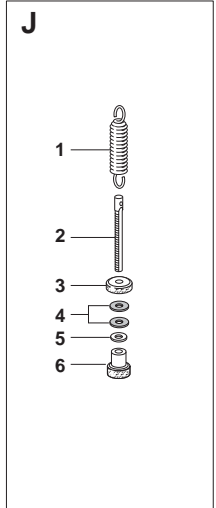
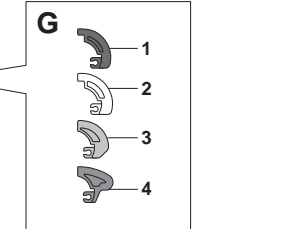
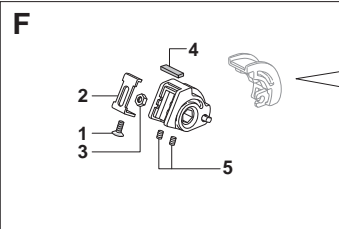
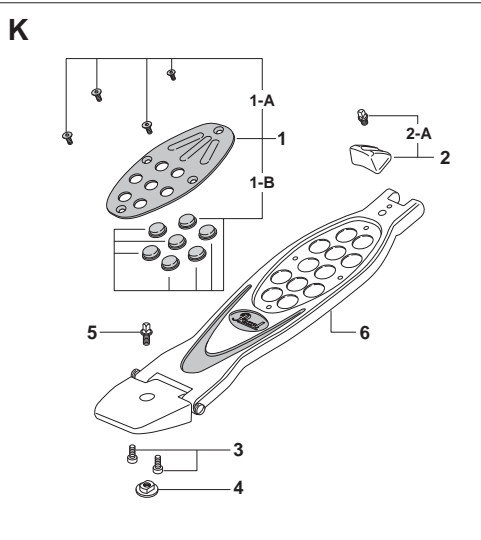
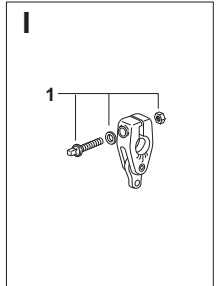
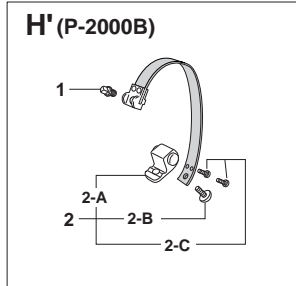
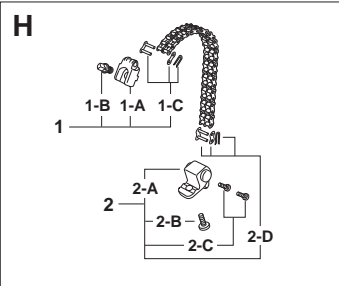
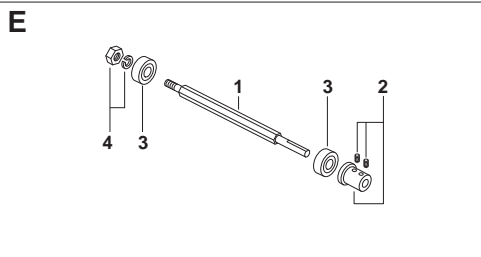
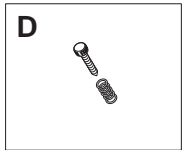
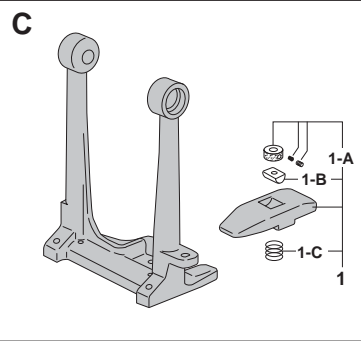
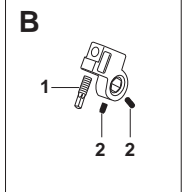
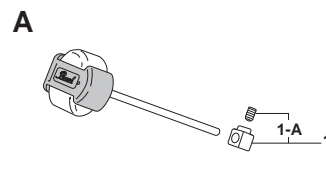
- A B-300F Control Core Felt Beater**
- B-300W Control Core Wood Beater (Option)**
- 1 ME-732A Beater Setting Stopper Assy.
- 1-A SB-65 Allen Screw
- B DC-717ULA Beater Holder Link Complete**
- 1 KB-623DW Key Bolt w/Washer
- 2 SC-415 Key Bolt
- C DC-716A Pedal Post**
- 1 SC-366SC Screw (one each)
- 2 SP-78 Click Lock Lever
- D SFT-DL Hexagonal Axle Shaft Assy.**
- 1 ME-738A Hexagonal Axle ONLY
- 2 NU-48 NiNJA Bearing (one each)
- 3 AE-741A Axle Sleeve w/Allen Screws
- E DRL-300A Direct Link Assy. Complete**
- 1 DC-715UA Direct Link Connecting Bracket Assy. (Top)
- 1-A ME-731U Key Bolt
- 2 DC-715LA Direct Link Connecting Bar
- 2-A ME-729 Spacer
- 3 DC-709A Direct Link Connecting Bracket Assy. (Bottom)
- 3-A ME-731L Key Bolt
- 3-B SC-357 Screw
- F FB-300A Footboard Assy. Complete**
- 1 DC-721A Traction Plate Assy.
- 1-A ME-728 Traction Grip (one each)
- 2 DC-722 Footboard ONLY
- 3 SC-421W Screw w/Washers
- 4 DC-720BA Heel Plate w/Logo Plate
- 5 DC-720FA Hinge Assy.
- 6 SC-421W Screw w/Washers (one each)
- 7 SC-418 Screw (one each)
- G DC-714A Uni-Lock Footboard Angle Cam Complete**
- 1 KB-630DA Bolt & Nut Set
- H SPA-64D Spring Assy. Complete**
- 1 SP-64NF Spring (w/Felt) ONLY
- 2 DC-724A Adjustment Bolt Assy.
- 2-A SC-259A Bolt & Collar Set
- 3 NP-470 Upper Nut
- 4 DC-723 Lower Nut
- I DC-399D Hoop Clamp Lever Assy.**
- 1 UGB-820C Die-Cast Wing Bolt
- 2 SC-367SC Flat-Head Screw (one each)
- J PR-672A Bottom Plate**
- 1 NP-467A Rubber Mat w/Adhesive Tape (Front)
- 2 NP-468A Rubber Mat w/Adhesive Tape (Heel)
- 3 NP-474 Velcro Tape (one each)
- K DC-719A Hoop Clamp Assy.**
- 1 DC-718A Hoop Clamp Bar w/Rubber Grip
- 2 ME-505A Adjustment Knob Assy.
- 3 ME-507 Pivot Block
- 4 SP-77 Spring
- 5 NP-464 Rubber Grip (one each)
- 6 SC-366SC Flat-Head Screw (one each)
- L DS-300A Drive Shaft Assy. Complete**
- 1 SP-65D Drive Shaft Sleeve w/Key Bolts
- 1-A KB-608D Key Bolt (one each)
- 2 SP-602CCA Hexagonal Drive Shaft w/Key Bolts (one set)
- 2-A KB-508D Key Bolt (one each)
- M SFT-DS Axle Shaft Assy.**
- 1 ME-739A Axle Shaft ONLY
- 2 NU-48 NiNJA Bearing (one each)
- 3 AE-741A Axle Sleeve w/Allen Screws
- N KMF-300A Multi Function Drum Key Dock Assy.**
- 1 KMF-300 Multi Function Drum Key ONLY
- 2 NP-469A Docking Assy.

# DRUM PEDALS

## P-2000C / P-2000B



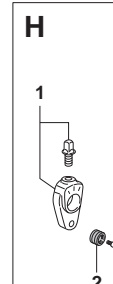
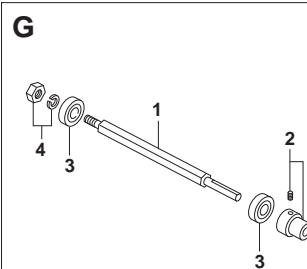
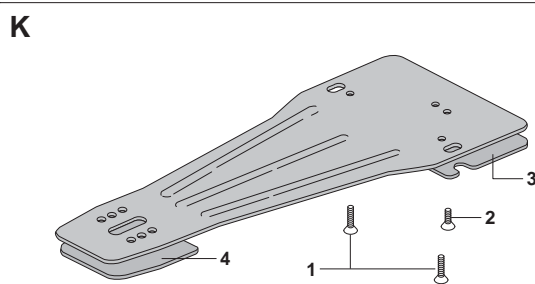
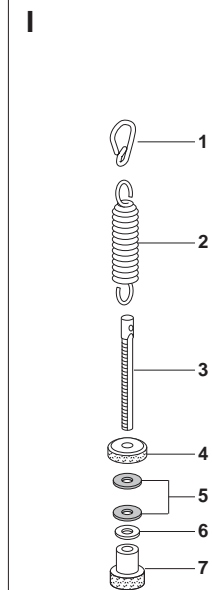
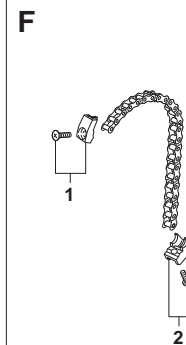
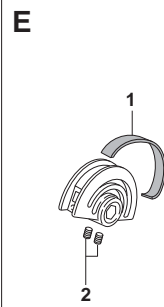
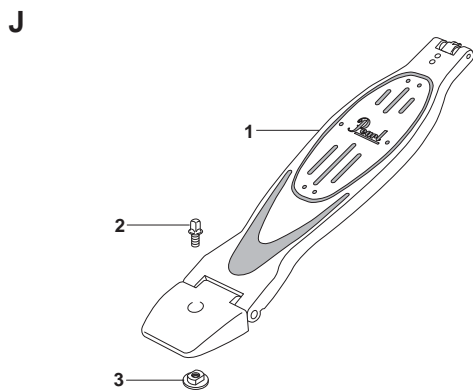
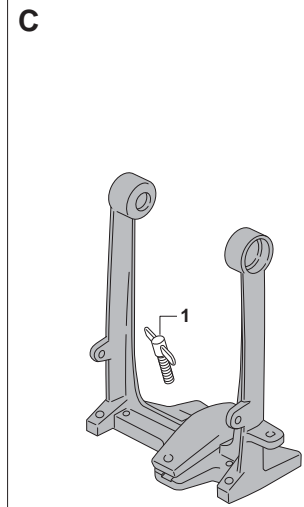
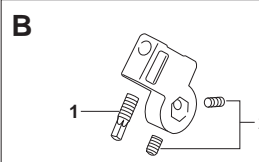
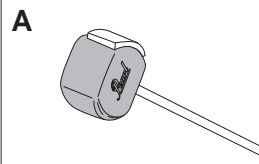
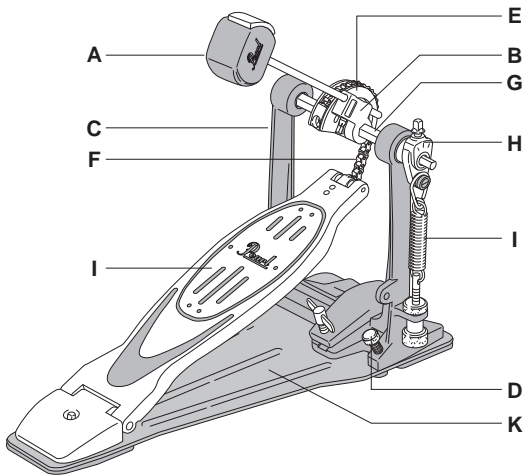
P-2000C Chain Drive  
P-2000B Belt Drive



- |          |                 |                                      |           |                 |  |          |                 |                                      |
|----------|-----------------|--------------------------------------|-----------|-----------------|--|----------|-----------------|--------------------------------------|
| <b>A</b> | <b>B-200QB</b>  | <b>Quad Beater Complete</b>          | <b>G</b>  |                 | <b>Interchangeable Cam</b>                   | <b>J</b> | <b>SPA-64AN</b> | <b>Spring Assy. Complete</b>         |
| 1        | DC-394A         | Beater Setting Stopper Assy.         | 1         | CAM-BK          | Black Cam                                    | 1        | SP-64F          | Spring (w/Felt) ONLY                 |
| 1-A      | SB-66           | Allen Screw                          | 2         | CAM-WT          | White Cam                                    | 2        | ME-499          | Adjustment Bolt                      |
| <b>B</b> | <b>DC-395NA</b> | <b>Beater Holder Link Complete</b>   | 3         | CAM-BL          | Blue Cam                                     | 3        | ME-500          | Upper Nut                            |
| 1        | KB-814          | Key Bolt                             | 4         | CAM-RD          | Red Cam                                      | 4        | NP-407          | Washers (pair)                       |
| 2        | SB-66           | Allen Screw (one each)               | <b>H</b>  | <b>CCA-5</b>    | <b>Double Chain Assy. Complete / P-2000C</b> | 5        | WS-27           | Lock Washer                          |
| <b>C</b> | <b>DC-513A</b>  | <b>Pedal Frame w/Hoop Clamp</b>      | 1         | DC-511AA        | Chain Connecting Bracket Assy. (Top)         | 6        | ME-391          | Lower Nut                            |
| 1        | DC-514A         | Hoop Clamp Assy.                     | 1-A       | DC-511A         | Chain Connecting Bracket ONLY (Top)          | <b>K</b> | <b>FB-2000A</b> | <b>Hoop Clamp Assy. Complete</b>     |
| 1-A      | ME-505A         | Adjustment Knob Assy.                | 1-B       | KB-508          | Key Bolt (short)                             | 1        | AL-24A          | Traction Plate Assy.                 |
| 1-B      | ME-507          | Pivot Block                          | 1-C       | ME-244          | Chain End Connector Assy.                    | 1-A      | SC-363L         | Mounting Screw (one each)            |
| 1-C      | SP-032          | Spring                               | 2         | DC-511BA        | Chain Connecting Bracket Assy. (Bottom)      | 1-B      | NP-283N         | Traction Grip (one each)             |
| <b>D</b> | <b>LT-636</b>   | <b>Anchor Screw w/Spring</b>         | 2-A       | DC-511B         | Chain Connecting Bracket ONLY (Bottom)       | 2        | DC-508A         | Toe Stopper Assy.                    |
| <b>E</b> | <b>ME-501A</b>  | <b>Hexagonal Axle Assy.</b>          | 2-B       | SC-357          | Screw  | 2-A      | KB-508          | Key Bolt                             |
| 1        | ME-501          | Hexagonal Axle ONLY                  | 2-C       | SC-284          | Screw (one each)                             | 3        | SC-261          | Screw (one each)                     |
| 2        | ME-393N         | Axle Sleeve w/Allen Screws           | 2-D       | ME-244          | Chain End Connector Assy.                    | 4        | DC-398          | Heel Position Adjust Nut             |
| 3        | NU-07B          | Bearing (one each)                   | <b>H'</b> | <b>BCA-1</b>    | <b>Belt Assy. Complete / P-2000B</b>         | 5        | KB-608          | Key Bolt                             |
| 4        | BSA-3           | End Nut w/Washer                     | 1         | KB-512          | Key Bolt (long)                              | 6        | DC-512SN        | Footboard Assy. ONLY                 |
| <b>F</b> | <b>DC-509A</b>  | <b>Aluminum Wheel Assy. Complete</b> | 2         | DC-510BA        | End Connector Assy. (Bottom)                 | <b>L</b> | <b>PR-548A</b>  | <b>Power Plate Assy. Complete</b>    |
| 1        | SC-327H         | Flat-Head Screw                      | 2-A       | DC-510B         | End Connector ONLY                           | 1        | SC-325R         | Screw                                |
| 2        | PR-546          | Slider Bracket                       | 2-B       | SC-357          | Screw  | 2        | SC-149          | Screw (one each)                     |
| 3        | NU-10           | Hexagonal Nut                        | 2-C       | SC-287          | Screw (one each)                             | 3        | NP-284S         | Rubber Mat (Front)                   |
| 4        | FE-40C          | Felt                                 | <b>I</b>  | <b>DC-396NA</b> | <b>Uni-Lock Beater Angle Cam Complete</b>    | 4        | NP-285          | Rubber Mat (Heel)                    |
| 5        | SB-66           | Allen Screw (one each)               | 1         | KB-630A         | Bolt & Nut Set                               | <b>M</b> | <b>DC-399S</b>  | <b>Hoop Clamp Cam Assy. Complete</b> |
|          |                 |                                      |           |                 |  | 1        | UGB-820C        | Die-Cast Wing Bolt                   |
|          |                 |                                      |           |                 |  | 2        | SC-191BN        | Screw (one each)                     |

# DRUM PEDALS

## P-900



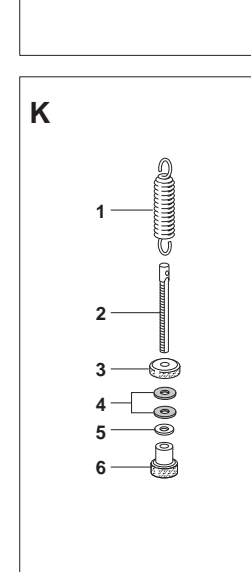
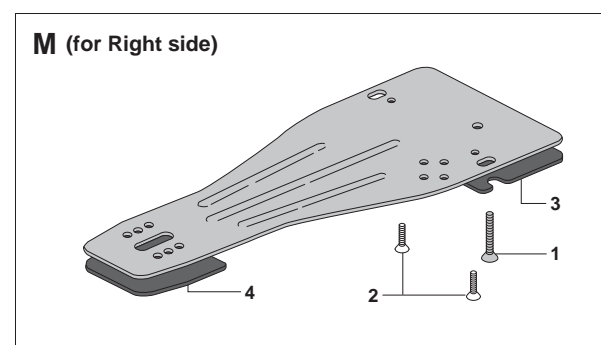
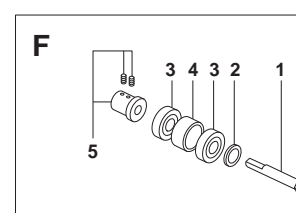
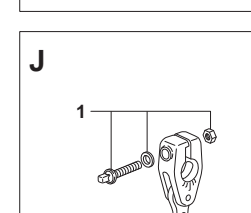
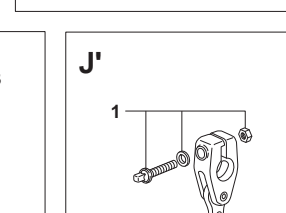
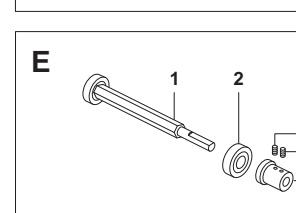
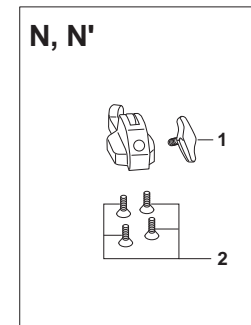
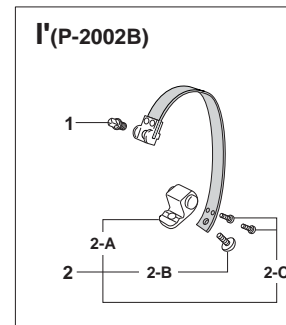
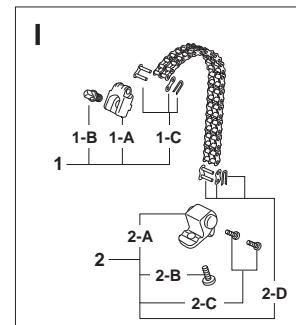
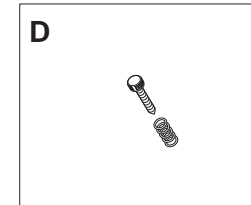
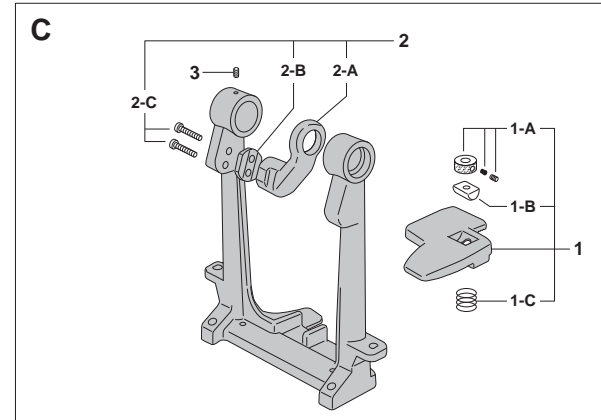
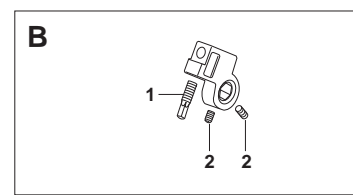
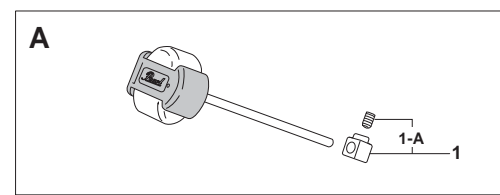
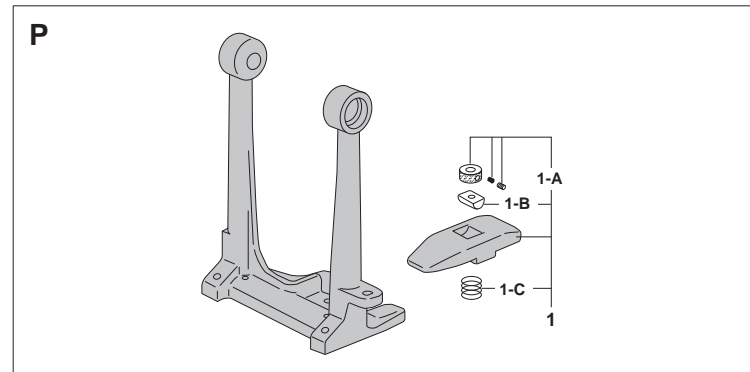
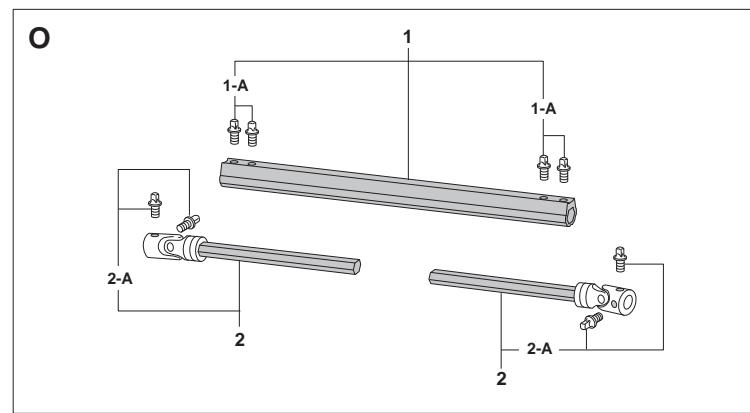
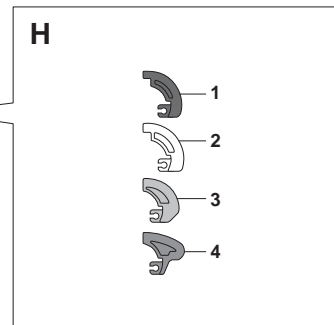
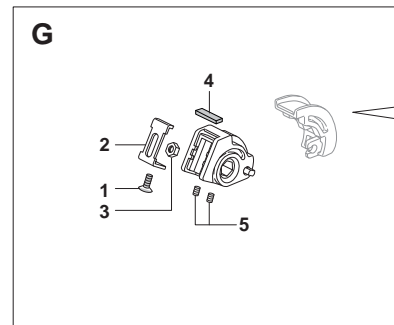
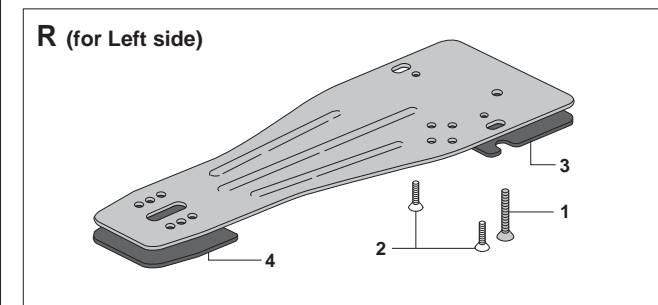
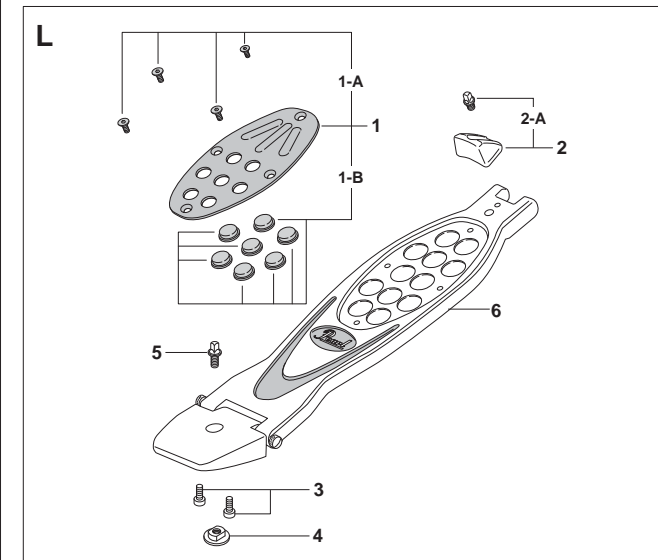
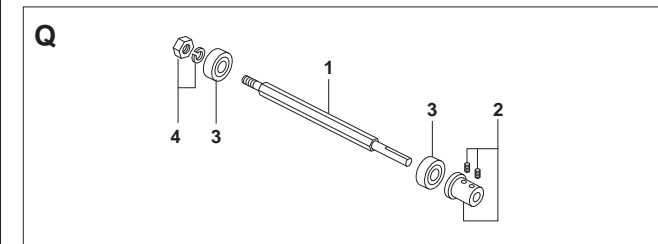
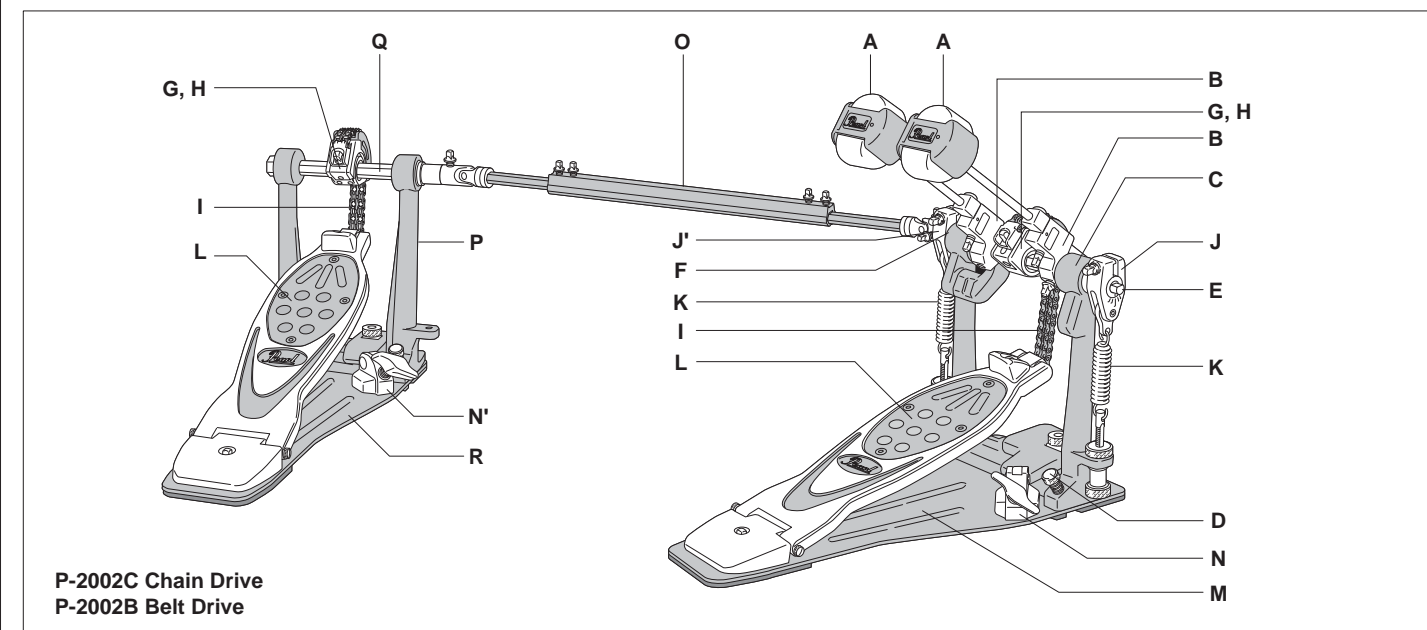
- A DB-100 "DuoBeat" 2 Way Beater**
- B AD-6A Beater Holder Link Complete**
- 1 KB-814 Key Bolt
- 2 SB-66 Allen Screw (one each)
- C PF-P90A Pedal Frame w/Hoop Clamp**
- 1 ME-69 Handle Bolt
- D LT-636 Anchor Screw w/Spring**
- E AD-5A Aluminum Wheel Assy. Complete**
- 1 FL-WL Felt Strip
- 2 SB-66 Allen Screw (one each)
- F CCA-90 Connecting Chain Assy. Complete**
- 1 ZD-38A Chain End Connector Assy.
- 2 ZD-40A Chain End Connector Assy.

- G ME-501AC Hexagonal Axle Assy.**
- 1 ME-501 Hexagonal Axle ONLY
- 2 SM-29A Axle Sleeve w/Allen Screw
- 3 NU-07B Bearing (one each)
- 4 BSA-3 End Nut w/Washer
- H ZD-37AC Beater Angle Cam Complete**
- 1 ZD-37A Beater Angle Cam w/Key Bolt
- 2 ME-646 Cam Roller
- 3 ME-170B Cam Bolt

- I SPA-90A Spring Assy. Complete**
- 1 SP-74 Hook
- 2 SP-31F Spring (w/Felt) ONLY
- 3 ME-166 Adjustment Bolt
- 4 ME-500 Upper Nut
- 5 NP-407 Washers (pair)
- 6 WS-27 Lock Washer
- 7 ME-391 Lower Nut
- J FB-P90 Footboard Assy. Complete**
- 1 FB-90P Footboard w/Chain Connector
- 2 KB-608 Key Bolt
- 3 ZD-41 Heel Position Adjust Nut
- K PWP-P90 Power Plate Assy. Complete**
- 1 SC-149 Screw (one each)
- 2 SC-39 Screw
- 3 NP-199A Rubber Mat (Front)
- 4 NP-285 Rubber Mat (Heel)

# DRUM PEDALS

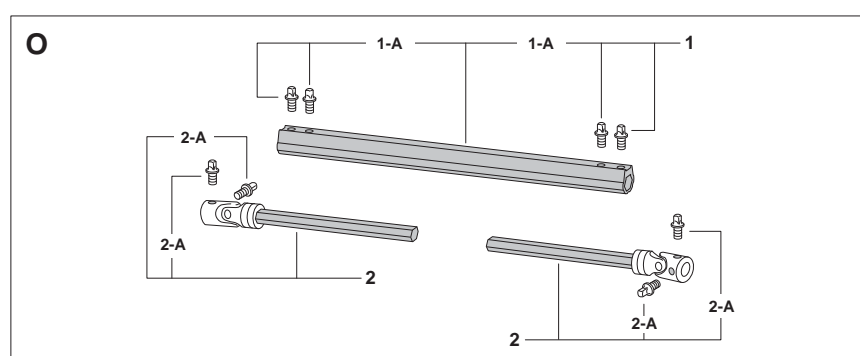
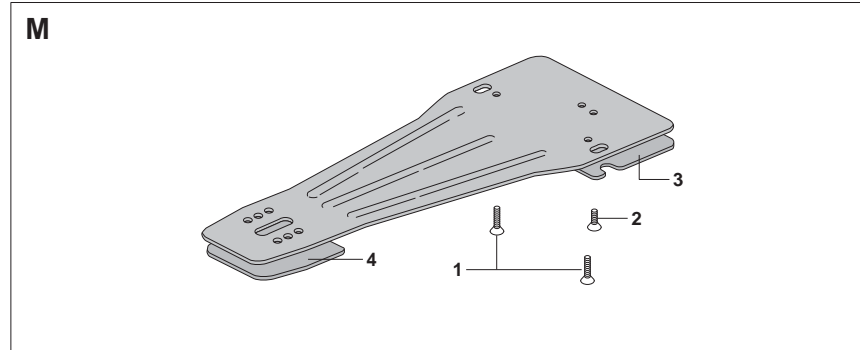
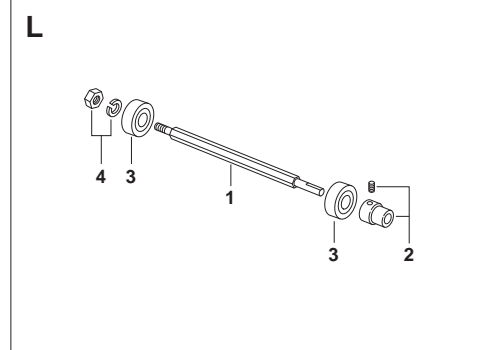
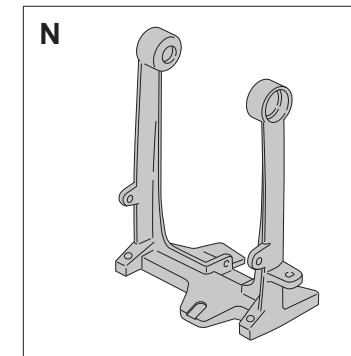
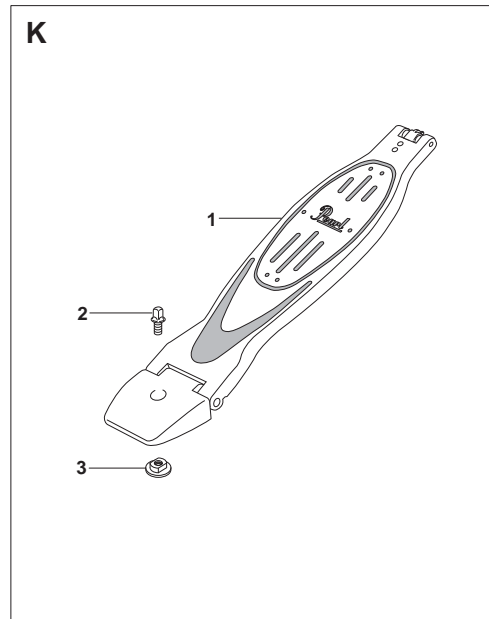
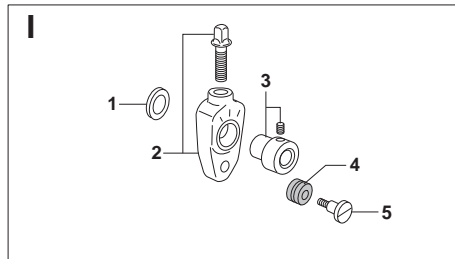
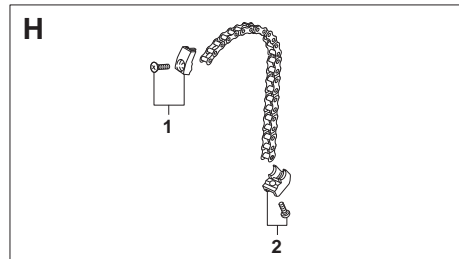
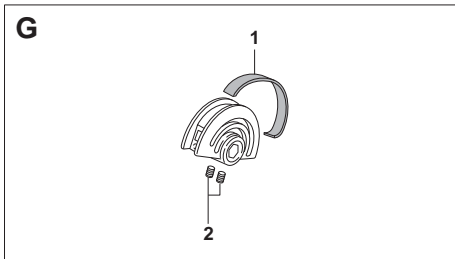
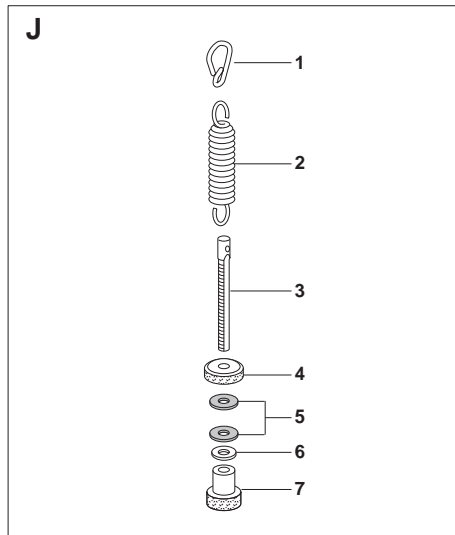
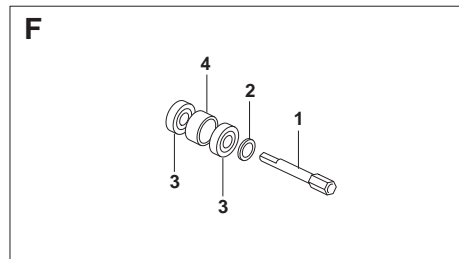
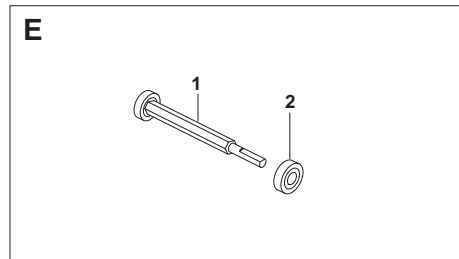
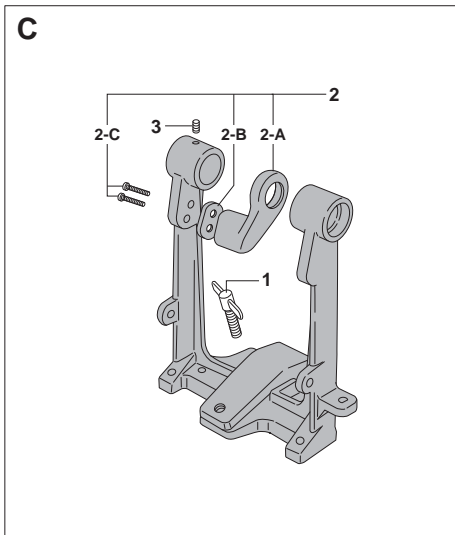
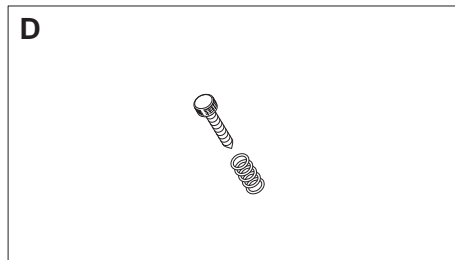
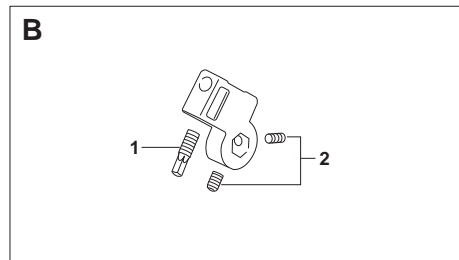
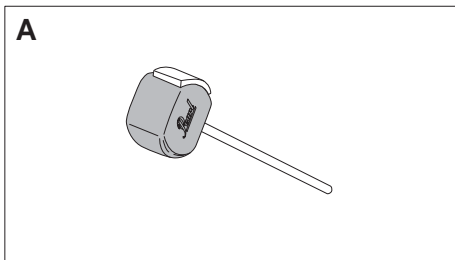
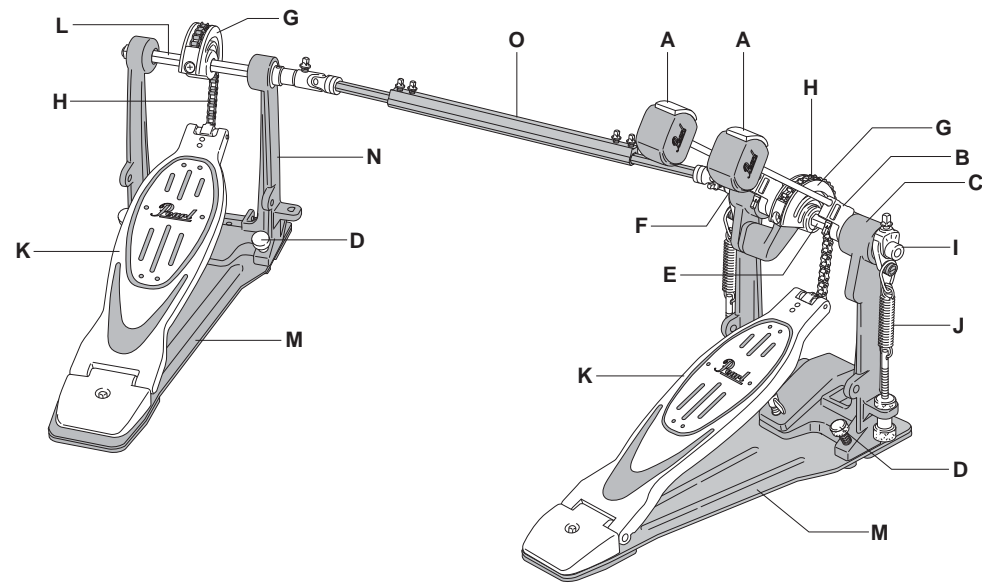
## P-2002C / P-2002B



- A** **B-2000B** Quad Beater Complete
- 1 DC-394A Beater Setting Stopper Assy.
- 1-A SB-66 Allen Screw
- B** **DC-395NA** Beater Holder Link Complete
- 1 KB-814 Key Bolt
- 2 SB-66 Allen Screw (one each)
- C** **DC-515A** Pedal Frame w/Hoop Clamp
- 1 DC-517A Hoop Clamp Assy.
- 1-A ME-505A Adjustment Knob Assy.
- 1-B ME-507 Pivot Block
- 1-C SP-032 Spring
- 2 ASA-2000A Axle Support Arm Assy. Complete
- 2-A DC-516 Axle Support Arm
- 2-B DC-314NA Axle Support Arm Spacer
- 2-C SC-222 Screw (one each)
- 3 SB-44 Allen Screw
- D** **LT-636** Anchor Screw w/Spring
- E** **ME-503A** Hexagonal Axle Assy.
- 1 ME-503B Hexagonal Axle w/Bearing
- 2 NU-07B Bearing
- 3 ME-393N Axle Sleeve w/Allen Screws
- F** **ME-502A** Hexagonal Axle ONLY
- 1 ME-502 Hexagonal Axle ONLY
- 2 WS-49 Washer
- 3 NU-07B Bearing (one each)
- 4 ME-506 Bearing Spacer
- 5 ME-393N Axle Sleeve w/Allen Screws
- G** **DC-509A** Aluminum Wheel Assy. Complete
- 1 SC-327H Flat-Head Screw
- 2 PR-546 Slider Bracket
- 3 NU-10 Hexagonal Nut
- 4 FE-40C Felt
- 5 SB-66 Allen Screw (one each)
- H** **Interchangeable Cam**
- 1 CAM-BK Black Cam
- 2 CAM-WT White Cam
- 3 CAM-BL Blue Cam
- 4 CAM-RD Red Cam
- I** **CCA-5** Double Chain Assy. Complete / P-2002C
- 1 DC-511AA Chain Connecting Bracket Assy. (Top)
- 1-A DC-511A Chain Connecting Bracket ONLY (Top)
- 1-B KB-508 Key Bolt (short)
- 1-C ME-244 Chain End Connector Assy.
- 2 DC-511BA Chain Connecting Bracket Assy. (Bottom)
- 2-A DC-511B Chain Connecting Bracket ONLY (Bottom)
- 2-B SC-357 Screw
- 2-C SC-284 Screw (one each)
- 2-D ME-244 Chain End Connector Assy.
- I'** **BCA-1** Belt Assy. Complete / P-2002B
- 1 KB-512 Key Bolt (long)
- 2 DC-510BA End Connector Assy. (Bottom)
- 2-A DC-510B End Connector ONLY
- 2-B SC-357 Screw
- 2-C SC-287 Screw (one each)
- J** **DC-396NA** Uni-Lock Beater Angle Cam Complete
- 1 KB-630A Bolt & Nut Set
- J'** **DC-396NAL** Uni-Lock Beater Angle Cam Complete (Left Side)
- 1 KB-630A Bolt & Nut Set
- K** **SPA-64AN** Spring Assy. Complete
- 1 SP-64F Spring (w/Felt) ONLY
- 2 ME-499 Adjustment Bolt
- 3 ME-500 Upper Nut
- 4 NP-407 Washers (pair)
- 5 WS-27 Lock Washer
- 6 ME-391 Lower Nut
- L** **FB-2000A** Footboard Assy. Complete
- 1 AL-24A Traction Plate Assy.
- 1-A SC-363L Mounting Screw (one each)
- 1-B NP-283N Traction Grip (one each)
- 2 DC-508A Toe Stopper Assy.
- 2-A KB-508 Key Bolt
- 3 SC-261 Screw (one each)
- 4 DC-398 Heel Position Adjust Nut
- 5 KB-608 Key Bolt
- 6 DC-512SN Footboard Assy. ONLY
- M** **PR-549A** Power Plate Assy. Complete (Right Side)
- 1 SC-325R Screw
- 2 SC-149 Screw (one each)
- 3 NP-284L Rubber Mat (Front)
- 4 NP-285 Rubber Mat (Heel)
- N** **DC-399W** Hoop Clamp Cam Assy. Complete
- 1 UGB-820C Die-Cast Wing Bolt
- 2 SC-191BN Screw (one each)
- N'** **DC-399S** Hoop Clamp Cam Assy. Complete
- 1 UGB-820C Die-Cast Wing Bolt
- 2 SC-191BN Screw (one each)
- O** **DS-200A** Drive Shaft Assy. Complete
- 1 SP-65A Drive Shaft Sleeve w/Key Bolts
- 1-A KB-608D Key Bolt (one each)
- 2 HS-200A Hexagonal Drive Shaft w/Key Bolts (one set)
- 2-A KB-508D Key Bolt (one each)
- P** **DC-513A** Pedal Frame w/Hoop Clamp
- 1 DC-514A Hoop Clamp Assy.
- 1-A ME-505A Adjustment Knob Assy.
- 1-B ME-507 Pivot Block
- 1-C SP-032 Spring
- Q** **ME-501A** Hexagonal Axle Assy.
- 1 ME-501 Hexagonal Axle ONLY
- 2 ME-393N Axle Sleeve w/Allen Screws
- 3 NU-07B Bearing (one each)
- 4 BSA-3 End Nut w/Washer
- R** **PR-548A** Power Plate Assy. Complete (Left Side)
- 1 SC-325R Screw
- 2 SC-149 Screw (one each)
- 3 NP-284S Rubber Mat (Front)
- 4 NP-285 Rubber Mat (Heel)

# DRUM PEDALS

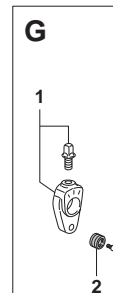
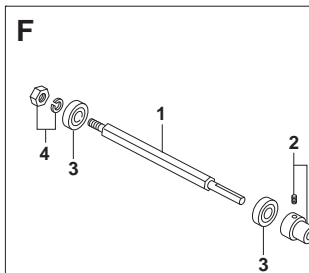
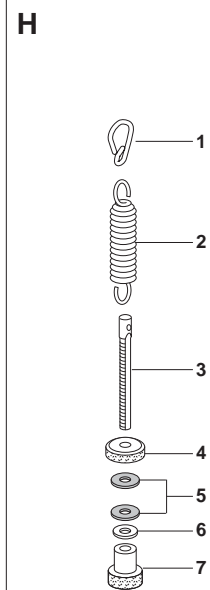
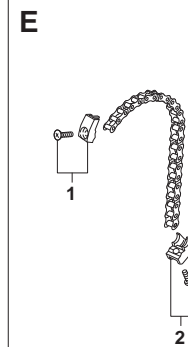
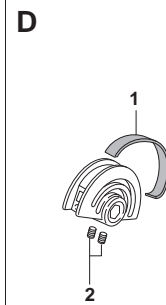
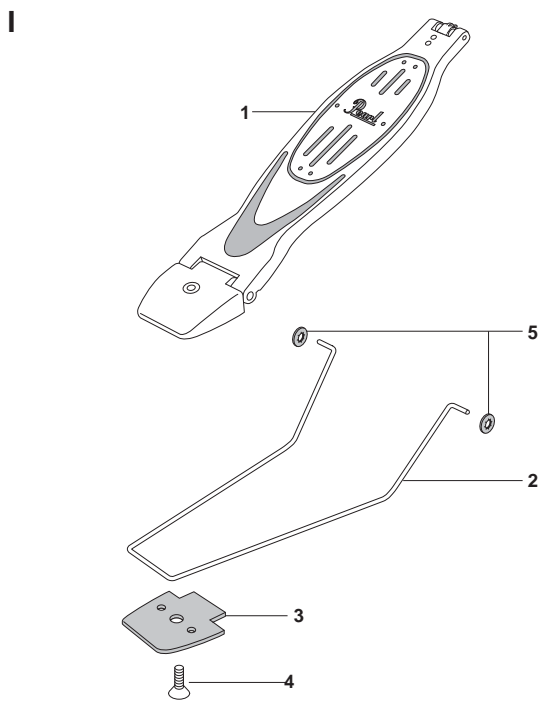
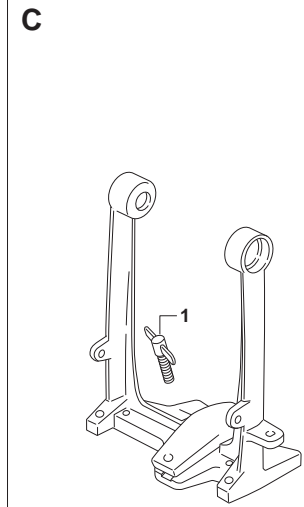
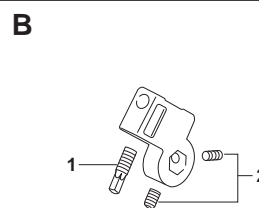
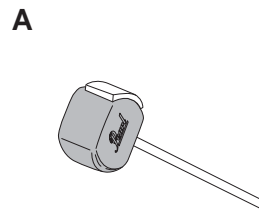
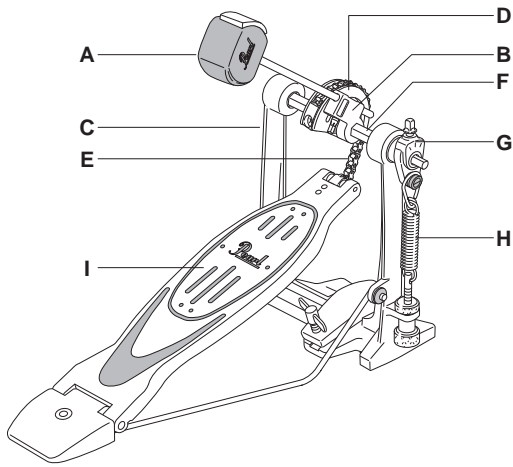
## P-902



- A DB-100 "DuoBeat" 2 Way Beater**
- B AD-6A Beater Holder Link Complete**
- 1 KB-814 Key Bolt
- 2 SB-66 Allen Screw (one each)
- C PF-P92RP Pedal Frame w/Hoop Clamp**
- 1 ME-69 Handle Bolt
- 2 AD-15A Axle Support Arm Assy. Complete
- 2-A AD-15 Axle Support Arm
- 2-B AD-16 Axle Support Arm Spacer
- 2-C SC-222 Screw (one each)
- 3 SB-44 Allen Screw
- D LT-636 Anchor Screw w/Spring**
- E ME-394A Hexagonal Axle Assy.**
- 1 HEX-8L Hexagonal Axle w/Bearing
- 2 NU-07B Bearing
- F ME-395A Hexagonal Axle Assy.**
- 1 HEX-8S Hexagonal Axle ONLY
- 2 WS-49 Washer
- 3 NU-07B Bearing (one each)
- 4 BS-85 Bearing Spacer
- G AD-5A Aluminum Wheel Assy. Complete**
- 1 FL-WL Felt Strip
- 2 SB-66 Allen Screw (one each)
- H CCA-90 Connecting Chain Assy. Complete**
- 1 ZD-38A Chain End Connector Assy.
- 2 ZD-40A Chain End Connector Assy.
- I ZD-37ACC Beater Angle Cam Complete**
- 1 WS-43 Washer
- 2 ZD-37A Beater Angle Cam w/Key Bolt
- 3 SM-29A Axle Sleeve w/Allen Screw
- 4 ME-646 Cam Roller
- 5 ME-170B Cam Bolt
- J SPA-90A Spring Assy. Complete**
- 1 SP-74 Hook
- 2 SP-31F Spring (w/Felt) ONLY
- 3 ME-166 Adjustment Bolt
- 4 ME-500 Upper Nut
- 5 NP-407 Washers (pair)
- 6 WS-27 Lock Washer
- 7 ME-391 Lower Nut
- K FB-P90 Footboard Assy. Complete**
- 1 FB-90P Footboard w/Chain Connector
- 2 KB-608 Key Bolt
- 3 ZD-41 Heel Position Adjust Nut
- L ME-501AC Hexagonal Axle Assy.**
- 1 ME-501 Hexagonal Axle ONLY
- 2 SM-29A Axle Sleeve w/Allen Screw
- 3 NU-07B Bearing (one each)
- 4 BSA-3 End Nut w/Washer
- M PWP-P90 Power Plate Assy. Complete**
- 1 SC-149 Screw (one each)
- 2 SC-39 Screw
- 3 NP-199A Rubber Mat (Front)
- 4 NP-285 Rubber Mat (Heel)
- N AD-4 Pedal Frame**
- O DS-200A Drive Shaft Assy. Complete**
- 1 SP-65A Drive Shaft Sleeve w/Key Bolts
- 1-A KB-608D Key Bolt (one each)
- 2 HS-200A Hexagonal Drive Shaft w/Key Bolts (one set)
- 2-A KB-508D Key Bolt (one each)

# DRUM PEDALS

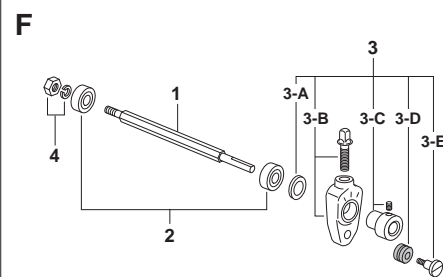
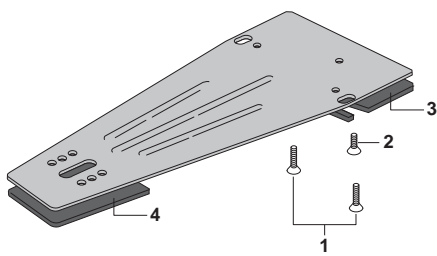
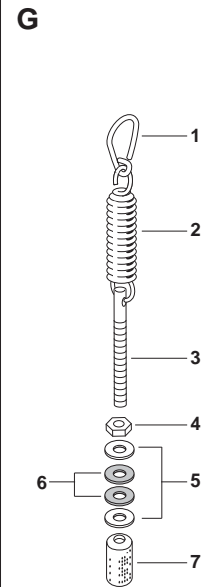
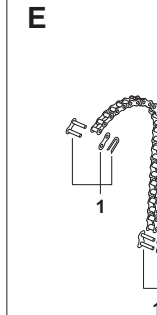
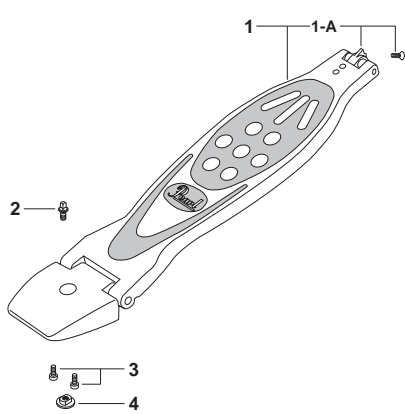
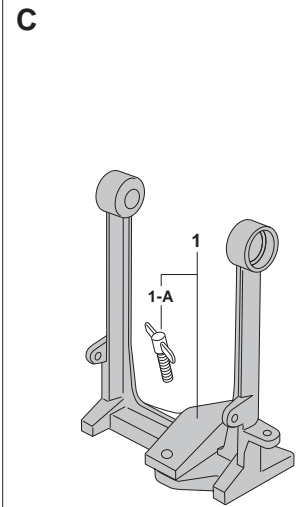
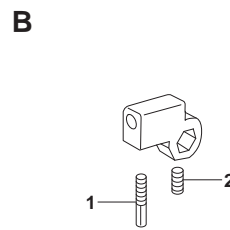
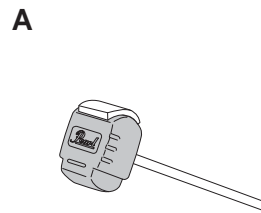
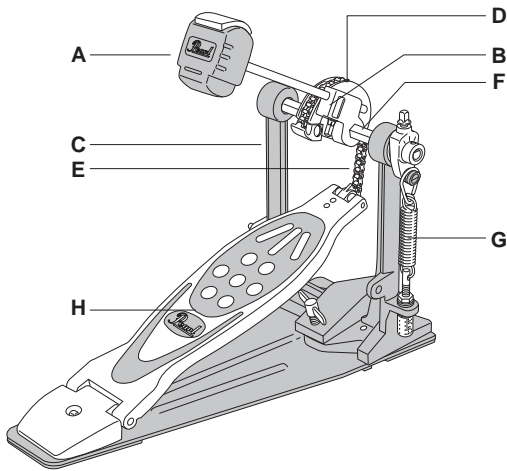
## P-890



- |          |                |  |          |                 |                                  |          |                |  |
|----------|----------------|--|----------|-----------------|----------------------------------|----------|----------------|--|
| <b>A</b> | <b>DB-100</b>  | <b>"DuoBeat" 2 Way Beater</b>          | <b>F</b> | <b>ME-501AC</b> | <b>Hexagonal Axle Assy.</b>      | <b>H</b> | <b>SPA-90A</b> | <b>Spring Assy. Complete</b>             |
| <b>B</b> | <b>AD-6A</b>   | <b>Beater Holder Link Complete</b>     | 1        | ME-501          | Hexagonal Axle ONLY              | 1        | SP-74          | Hook                                     |
| 1        | KB-814         | Key Bolt                               | 2        | SM-29A          | Axle Sleeve w/Allen Screw        | 2        | SP-31F         | Spring (w/Felt) ONLY                     |
| 2        | SB-66          | Allen Screw (one each)                 | 3        | NU-07B          | Bearing (one each)               | 3        | ME-166         | Adjustment Bolt                          |
| <b>C</b> | <b>PF-P89A</b> | <b>Pedal Frame w/Hoop Clamp</b>        | 4        | BSA-3           | End Nut w/Washer                 | 4        | ME-500         | Upper Nut                                |
| 1        | ME-69          | Handle Bolt                            | <b>G</b> | <b>ZD-37AC</b>  | <b>Beater Angle Cam Complete</b> | 5        | NP-407         | Washers (pair)                           |
| <b>D</b> | <b>AD-5A</b>   | <b>Aluminum Wheel Assy. Complete</b>   | 1        | ZD-37A          | Beater Angle Cam w/Key Bolt      | 6        | WS-27          | Lock Washer                              |
| 1        | FL-WL          | Felt Strip                             | 2        | ME-646          | Cam Roller                       | 7        | ME-391         | Lower Nut                                |
| 2        | SB-66          | Allen Screw (one each)                 | 3        | ME-170B         | Cam Bolt                         | <b>I</b> | <b>FB-P89</b>  | <b>Footboard Assy. Complete</b>          |
| <b>E</b> | <b>CCA-90</b>  | <b>Connecting Chain Assy. Complete</b> |          |                 |                                  | 1        | FB-89P         | Footboard w/Chain Connector              |
| 1        | ZD-38A         | Chain End Connector Assy.              |          |                 |                                  | 2        | ME-647         | Radius Rod                               |
| 2        | ZD-40A         | Chain End Connector Assy.              |          |                 |                                  | 3        | RRC-90         | Radius Rod Cover                         |
|          |                |  |          |                 |                                  | 4        | SC-258         | Screw                                    |
|          |                |  |          |                 |                                  | 5        | WS-50          | Push Nut (Radius Rod Stopper) (One each) |

# DRUM PEDALS

## P-120P



- A B-100DB "DuoBeat" 2 Way Beater**  
**B BH-95 Beater Holder Link Complete**  
 1 KB-814 Key Bolt  
 2 SB-66 Allen Screw  
**C DC-391CA Pedal Frame w/Hoop Clamp**  
 1 DC-201CA Hoop Clamp Assy. Complete  
 1-A ME-69 Handle Bolt  
**D ALH-2 Aluminum Wheel Assy. Complete**  
 1 FE-29 Felt Strip  
 2 SB-66 Allen Screw (one each)  
**CCA-1 Connecting Chain Assy. Complete**  
 1 ME-212 Chain End Connector Assy. (one each)

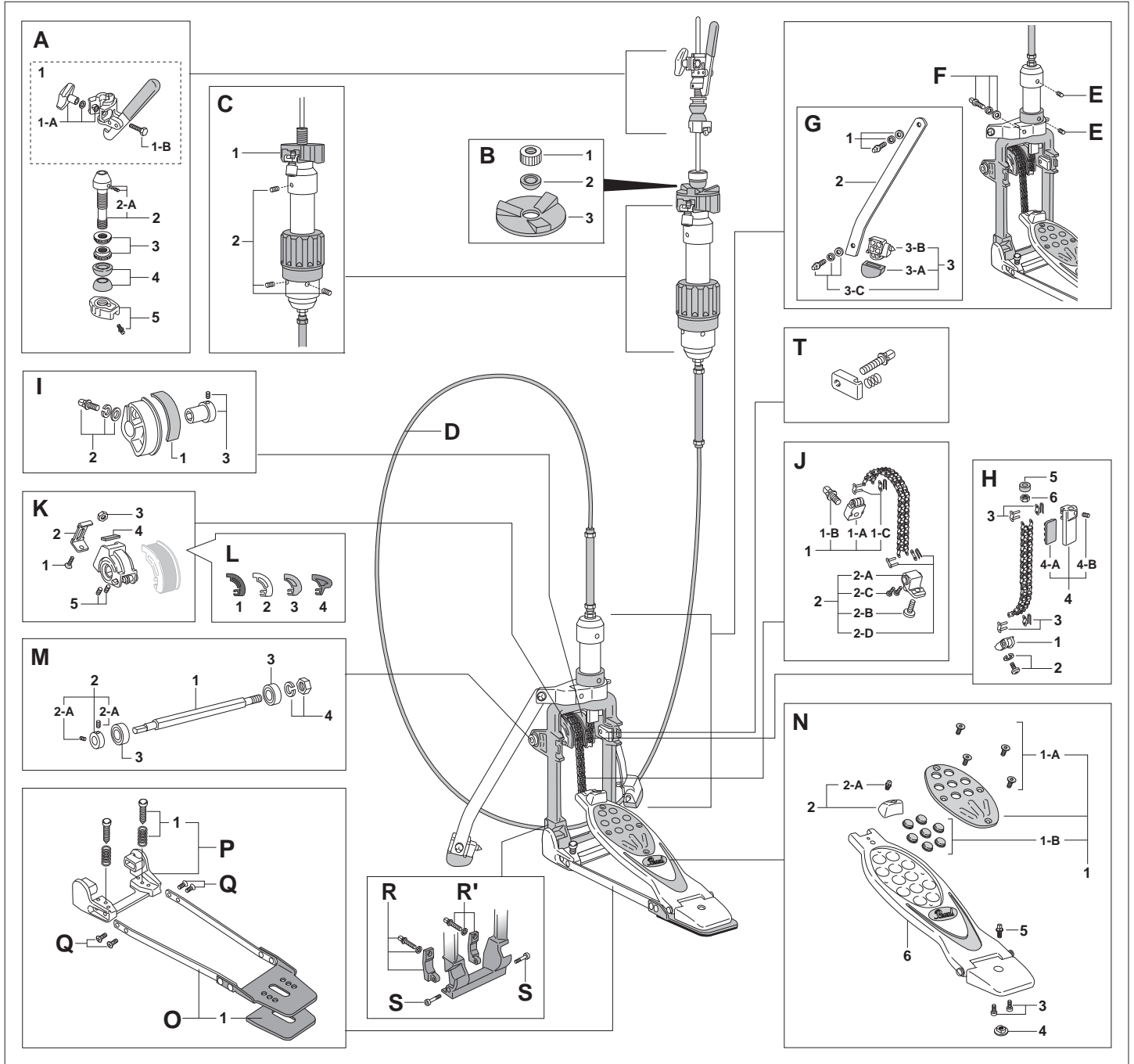
- F ME-345A Hexagonal Axle Assy.**  
 1 ME-345 Hexagonal Axle ONLY  
 2 NU-07B Bearing (one each)  
**G SPA-9A Spring Assy. Complete**  
 1 SP-74 Hook  
 2 SP-64F Spring (w/Felt) ONLY  
 3 ME-166 Adjustment Bolt  
 4 NU-19 Hexagonal Nut  
 5 WS-27 Lock Washer (one each)  
 6 NP-407 Washers (pair)  
 7 ME-167 Adjustment Nut

- H FB-120P Footboard Assy. Complete**  
 1 DC-643SA Footboard w/Chain Connector  
 1-A DC-164NA Chain Connector w/Pin and Screw  
 2 KB-608 Key Bolt  
 3 SC-261 Screw (one each)  
 4 DC-398 Heel Position Adjust Nut  
**I PR-632AC Power Plate Assy. Complete**  
 1 SC-149 Screw (one each)  
 2 SC-39 Screw  
 3 NP-199AT Rubber Mat (Front)  
 4 NP-199B Rubber Mat (Heel)



# HI-HAT STANDS

## RH-2000



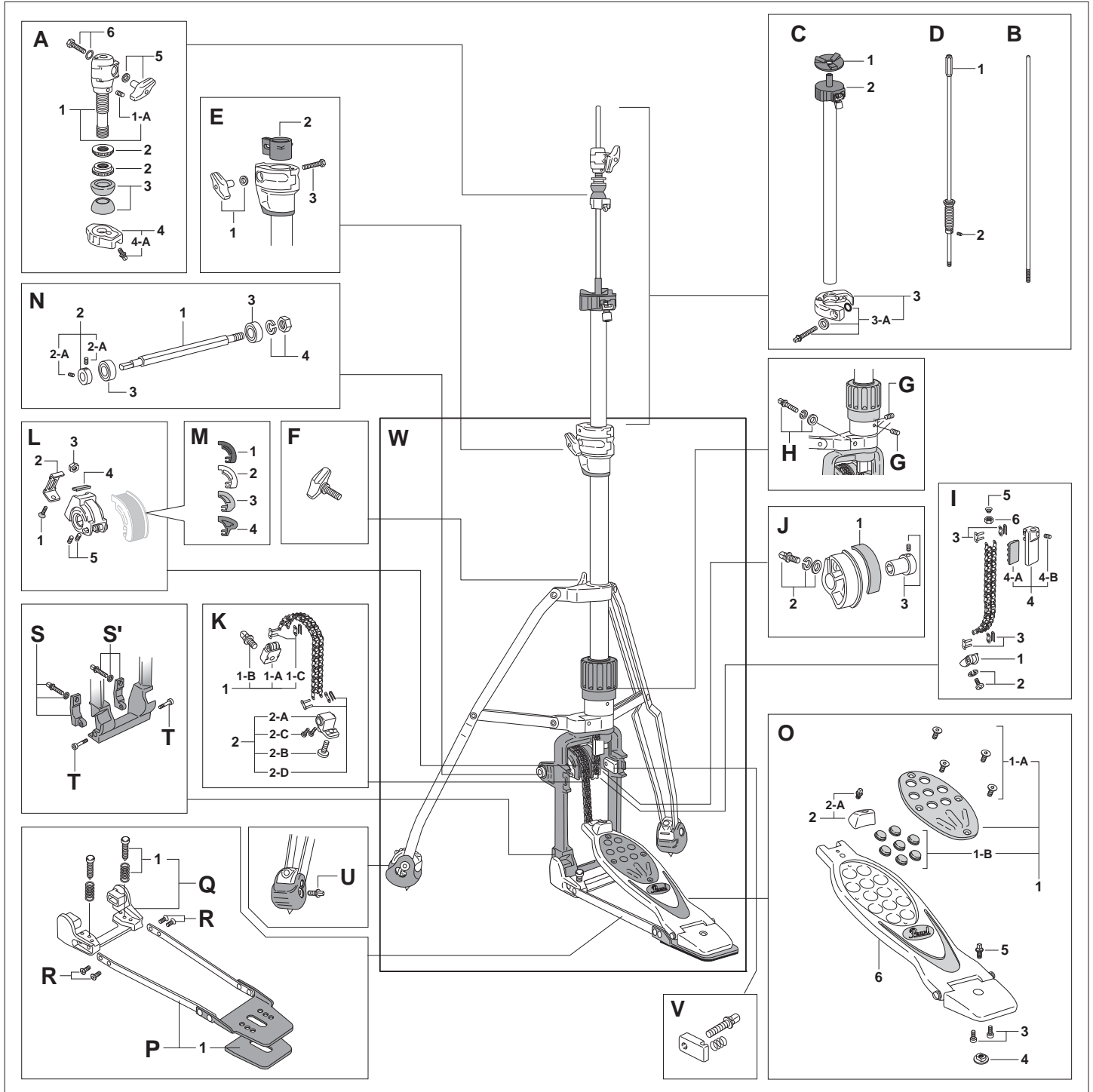
- A DCL-300P Drop Clutch**
- 1 DCL-300T Drop Clutch Head Assy.
- 1-A UGN-6WO Die-Cast Wing Nut w/Washer & O-Ring
- 1-B SC-168 Clamp Bolt
- 2 ME-642A Drop Clutch Bolt
- 2-A SB-55S Allen Screw w/Spacer
- 3 ME-137 Lock Nut (one each)
- 4 NP-210 Rubber Washer (one each)
- 5 DC-554A Bottom Lock Nut Complete
- B CYS-200AA Cymbal Seat Assy.**
- 1 ME-188 Lock Nut
- 2 NP-210 Rubber Washer
- 3 NP-208 Rubber Cup Washer
- C HUP-200R Upper Tube Assy. Complete**
- 1 HHC-20R Plastic Cup w/Tilter
- 2 SB-55 Allen Screw (one each)
- D CAU-2000 Cable Unit Complete, w/Nuts & Washers**
- E SB-55 Allen Screw (one each)**
- F KB-625W Key Bolt w/Washers**
- G PR-571A Leg Assy. Complete**
- 1 KB-625W Key Bolt w/Washers
- 2 PR-571 Leg ONLY
- 3 CT-88A Convertible Tip Assy. Complete
- 3-A R-8H Rubber Tip (one each)
- 3-B AN-88 Spike
- 3-C KB-615W Key Bolt w/Washers

- H CCA-6H Chain Assy. Complete (pull cam side)**
- 1 DC-400 Chain Connector
- 2 SC-94W Screw w/Washer
- 3 ME-244 Chain End Connector Assy. (one each)
- 4 DC-524A Rod Connector, Complete
- 4-A NP-296 Rubber Cushion
- 4-B SB-44 Allen Screw
- 5 FE-42 Felt Washer
- 6 NU-19 Nut
- I DC-525A Aluminum Pull Cam Assy. Complete**
- 1 FE-41 Felt Strip
- 2 KB-625W Key Bolt w/Washers
- 3 ME-519A Drive Shaft Sleeve w/Allen Screw
- J CCA-5H Double Chain Assy. Complete**
- 1 DC-511AA Chain Connecting Bracket Assy. (Top)
- 1-A DC-511A Chain Connecting Bracket ONLY (Top)
- 1-B KB-508 Key Bolt
- 1-C ME-244 Chain End Connector Assy.
- 2 DC-511BA Chain Connecting Bracket Assy. (Bottom)
- 2-A DC-511B Chain Connecting Bracket ONLY (Bottom)
- 2-B SC-322S Screw
- 2-C SC-284 Screw (one each)
- 2-D ME-244 Chain End Connector Assy.
- K DC-509A Aluminum Wheel Assy. Complete**
- 1 SC-327H Flat-Head Screw
- 2 PR-546 Slider Bracket
- 3 NU-10 Hexagonal Nut
- 4 FE-40C Felt
- 5 SB-66 Allen Screw (one each)

- L Interchangeable Cam**
- 1 CAM-BK Black Cam
- 2 CAM-WT White Cam
- 3 CAM-BL Blue Cam
- 4 CAM-RD Red Cam
- M ME-517A Hexagonal Axle Assy. Hexagonal Axle ONLY**
- 1 ME-517 Hexagonal Axle ONLY
- 2 ME-518A Axle Sleeve w/Allen Screws
- 2-A SB-44 Allen Screw (one each)
- 3 NU-07B Bearing (one each)
- 4 BSA-3 End Nut w/Washer
- N FB-2000A Footboard Assy. Complete**
- 1 AL-24A Traction Plate Assy.
- 1-A SC-363L Mounting Screw (one each)
- 1-B NP-283N Traction Grip (one each)
- 2 DC-508A Toe Stopper Assy.
- 2-A KB-508 Key Bolt
- 3 SC-261 Screw (one each)
- 4 DC-398 Heel Position Adjust Nut
- 5 KB-608 Key Bolt
- 6 DC-512SN Footboard Assy. ONLY
- O PR-660F Pedal Frame Assy. Complete**
- 1 NP-285 Rubber Mat
- P DC-701LA Frame Sleeve w/Screw**
- 1 LT-626 Anchor Screw w/Spring
- Q SC-39 Screw (one each)**
- R DC-700LA Receiver Clamp w/Key Bolt & Washer - Left**
- R' DC-700RA Receiver Clamp w/Key Bolt & Washer - Right**
- S ME-712 Pivot Screw**
- T DC-699A Docking Station Clamp w/Key Bolt & Spring**

# HI-HAT STANDS

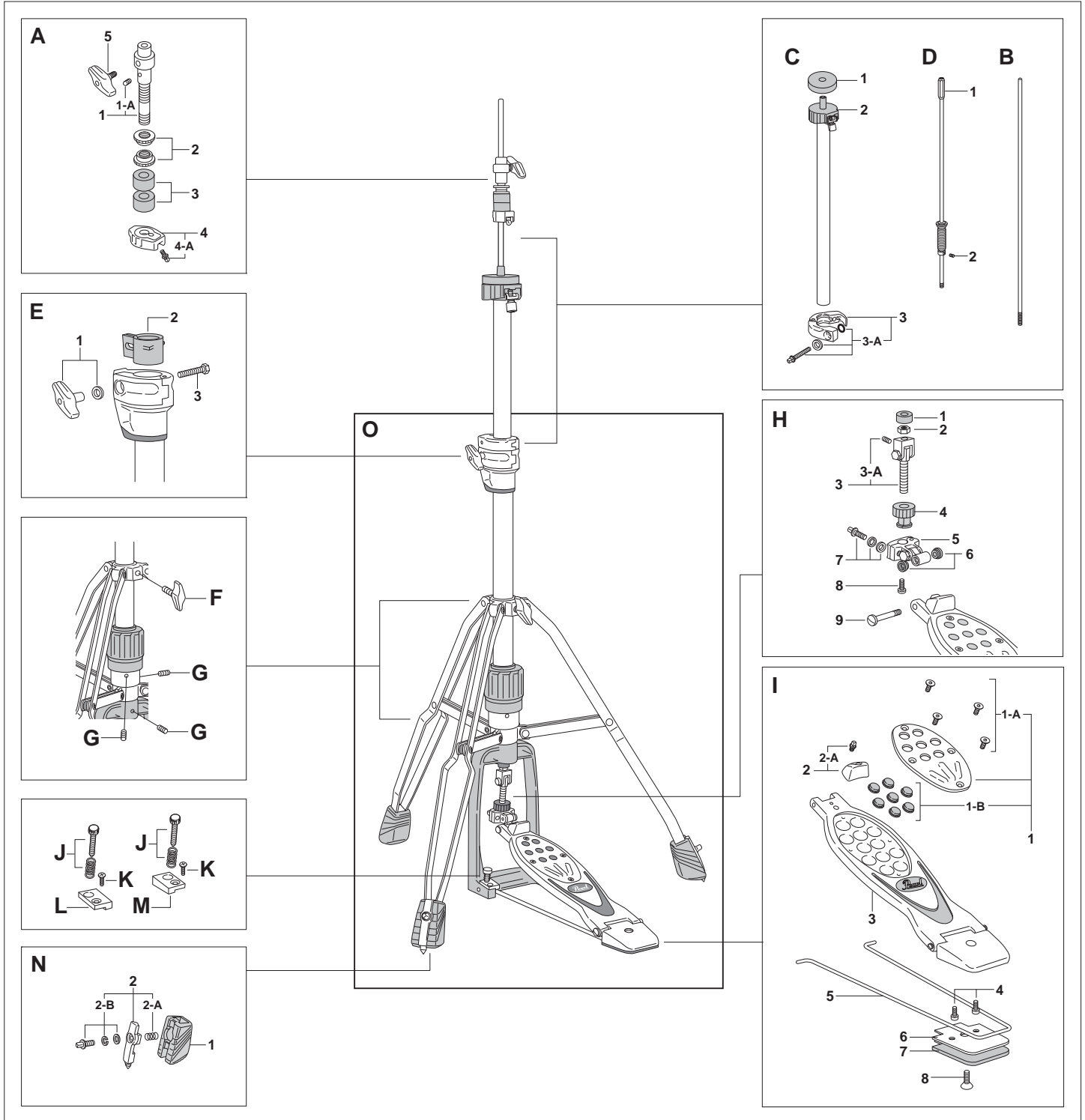
## H-2000



<b>A</b>	<b>SGC-300P</b>	<b>Super Grip Clutch</b>	<b>DC-524A</b>	Rod Connector, Complete	<b>N</b>	<b>ME-517A</b>	<b>Hexagonal Axle Assy.</b>
1-A	SB-44	Pipe Bolt	NP-296	Rubber Cushion	1	ME-517	Hexagonal Axle ONLY
2	CL-95N	Allen Screw	SB-44	Allen Screw	2	ME-518A	Axle Sleeve w/Allen Screws
3	NP-210	Lock Nut (one each)	SP-67	Waggie Spring	2-A	SB-44	Allen Screw (one each)
4	DC-554A	Rubber Washer (one each)	NU-19	Nut	3	NU-07B	Bearing (one each)
4-A	KB-610	Bottom Lock Nut Complete	<b>J</b>	<b>DC-525A</b>	4	BSA-3	End Nut w/Washer
5	UGN-6	Key Bolt	<b>DC-525A</b>	<b>Aluminum Pull Cam Assy. Complete</b>	<b>J</b>	<b>FB-2000A</b>	<b>Footboard Assy. Complete</b>
6	SC-168R	Die-Cast Wing Nut w/Washer	1	FE-41	1	AL-24A	Traction Plate Assy.
<b>B</b>	<b>ME-145S</b>	Clamp Bolt w/Nylon Washer	2	KB-625W	1-A	SB-44	Mounting Screw (one each)
<b>C</b>	<b>HUP-200</b>	<b>Upper Pull Rod</b>	3	ME-519A	1-B	NP-283N	Traction Grip (one each)
1	NP-208	Rubber Cup Washer	<b>K</b>	<b>CCA-5H</b>	2	DC-508A	Toe Stopper Assy.
2	HHC-20	Plastic Cup w/Tilter	1	DC-511AA	2	KB-508	Key Bolt
3	DC-580A	Stop Lock Complete	1-A	DC-511A	3	SC-261	Screw (one each)
3-A	KB-625WO	Key Bolt w/Washer & O-Ring	1-B	KB-508	4	DC-398	Heel Position Adjust Nut
<b>D</b>	<b>LS-200</b>	<b>Lower Pull Rod Complete</b>	1-C	ME-244	5	KB-608	Key Bolt
1	ME-123	Pull Rod Connector ONLY	2	DC-511BA	6	DC-512SN	Footboard Assy. ONLY
2	SB-44	Allen Screw	2-A	DC-511B	<b>O</b>	<b>PR-660F</b>	<b>Pedal Frame Assy. Complete</b>
<b>E</b>	<b>DJ-800</b>	<b>Die-Cast Joint Assy. Complete</b>	2-B	SC-322S	1	NP-285	Rubber Mat
1	UGN-6	Die-Cast Wing Nut w/Washer	2-C	ME-244	1	<b>DC-701LA</b>	<b>Frame Sleeve w/Screw</b>
2	NP-365	Nylon Bushing	2-D	ME-244	1	LT-626	Anchor Screw w/Spring
3	SC-169	Clamp Bolt	<b>L</b>	<b>DC-509A</b>	<b>Q</b>	<b>SC-39</b>	<b>Screw (one each)</b>
<b>F</b>	<b>UGB-815</b>	<b>Die-Cast Wing Bolt</b>	1	DC-327H	1	<b>DC-700LA</b>	<b>Receiver Clamp w/Key Bolt &amp; Washer - Left</b>
<b>G</b>	<b>SB-55</b>	<b>Allen Screw (one each)</b>	2	PR-546	1	<b>DC-700RA</b>	<b>Receiver Clamp w/Key Bolt &amp; Washer - Right</b>
<b>H</b>	<b>KB-625W</b>	<b>Key Bolt w/Washers</b>	3	NU-10	1	<b>ME-712</b>	<b>Pivot Screw</b>
<b>I</b>	<b>CCA-6H</b>	<b>Chain Assy. Complete (pull cam side)</b>	4	FE-40C	1	<b>KB-625</b>	<b>Key Bolt</b>
1	DC-400	Chain Connector	<b>M</b>	SB-66	1	<b>DC-699A</b>	<b>Docking Station Clamp w/Key Bolt &amp; Spring</b>
2	SC-94W	Screw w/Washer	1	CAM-BK	2	<b>H-207BA</b>	<b>Base Assy. Complete</b>
3	ME-244	Chain End Connector Assy. (one each)	2	CAM-WT	3		
			3	CAM-BL	4		
			4	CAM-RD			

# HI-HAT STANDS

## H-1000



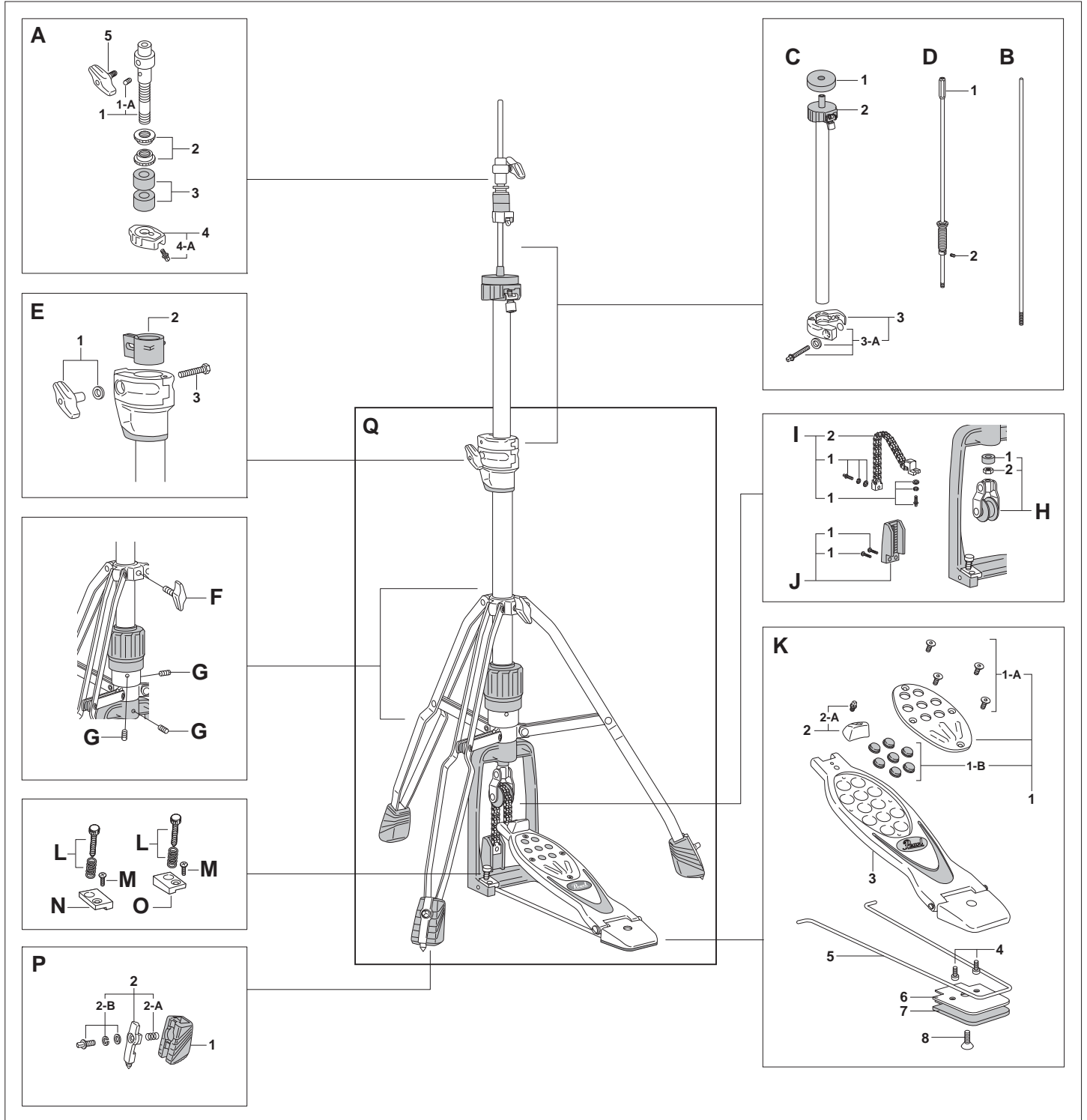
- A CL-300 Hi-Hat Clutch Complete**
- 1 ME-573AC Pipe Bolt
- 1-A SB-44 Allen Screw
- 2 CL-95N Lock Nut (one each)
- 3 FL-95 Felt Washer (one each)
- 4 DC-554A Bottom Lock Nut Complete
- 4-A KB-610 Key Bolt
- 5 UGB-610 Die-Cast Wing Bolt
- B ME-145 Upper Pull Rod**
- C HUP-100 Upper Tube Assy. Complete**
- 1 FE-17 Felt Washer
- 2 HHC-20 Plastic Cup w/Tilter
- 3 DC-580A Stop Lock Complete
- 3-A KB-625WO Key Bolt w/Washer & O-Ring
- D LS-200 Lower Pull Rod Complete**
- 1 ME-123 Pull Rod Connector ONLY
- 2 SB-44 Allen Screw
- E DJ-800 Die-Cast Joint Assy. Complete**
- 1 UGN-6 Die-Cast Wing Nut w/Washer
- 2 NP-365 Nylon Bushing
- 3 SC-169 Clamp Bolt

- F UGB-815 Die-Cast Wing Bolt**
- G SB-55 Allen Screw (one each)**
- H FCA-100 Pedal Link Complete**
- 1 NP-377 Rubber Washer
- 2 NU-19 Nut
- 3 ME-643AC Upper Link Assy.
- 3-A SB-44 Allen Screw
- 4 NP-353 Height Adjuster
- 5 DC-556AC Lower Link Assy.
- 6 NP-352 Nylon Spacer (one each)
- 7 KB-615W Key Bolt w/Washers
- 8 SC-351 Screw
- 9 ME-569 Pivot Bolt
- I FB-1000H Footboard Assy. Complete**
- 1 AL-24SA Traction Plate Assy.
- 1-A SC-363L Mounting Screw (one each)
- 1-B NP-283N Traction Grip (one each)
- 2 DC-508A Toe Stopper Assy.
- 2-A KB-508 Key Bolt
- 3 DC-512SH Footboard Assy. ONLY
- 4 SC-261 Screw (one each)

- 5 ME-640 Radius Rod
- 6 PR-447 Radius Rod Cover
- 7 NP-387 Rubber Mat
- 8 SC-258 Screw
- J LT-636 Anchor Screw w/Spring**
- K SC-39 Screw (one each)**
- L DC-557LF Anchor Plate, Left**
- M DC-557RF Anchor Plate, Right**
- N NP-427AC Convertible Tip Assy. Complete**
- 1 NP-427 Rubber Tip ONLY
- 2 DC-523A Spike Assy. Complete
- 2-A SP-33 Spring
- 2-B KB-625W Key Bolt w/Washers
- O H-100 Base Assy. Complete**

# HI-HAT STANDS

## H-1000K



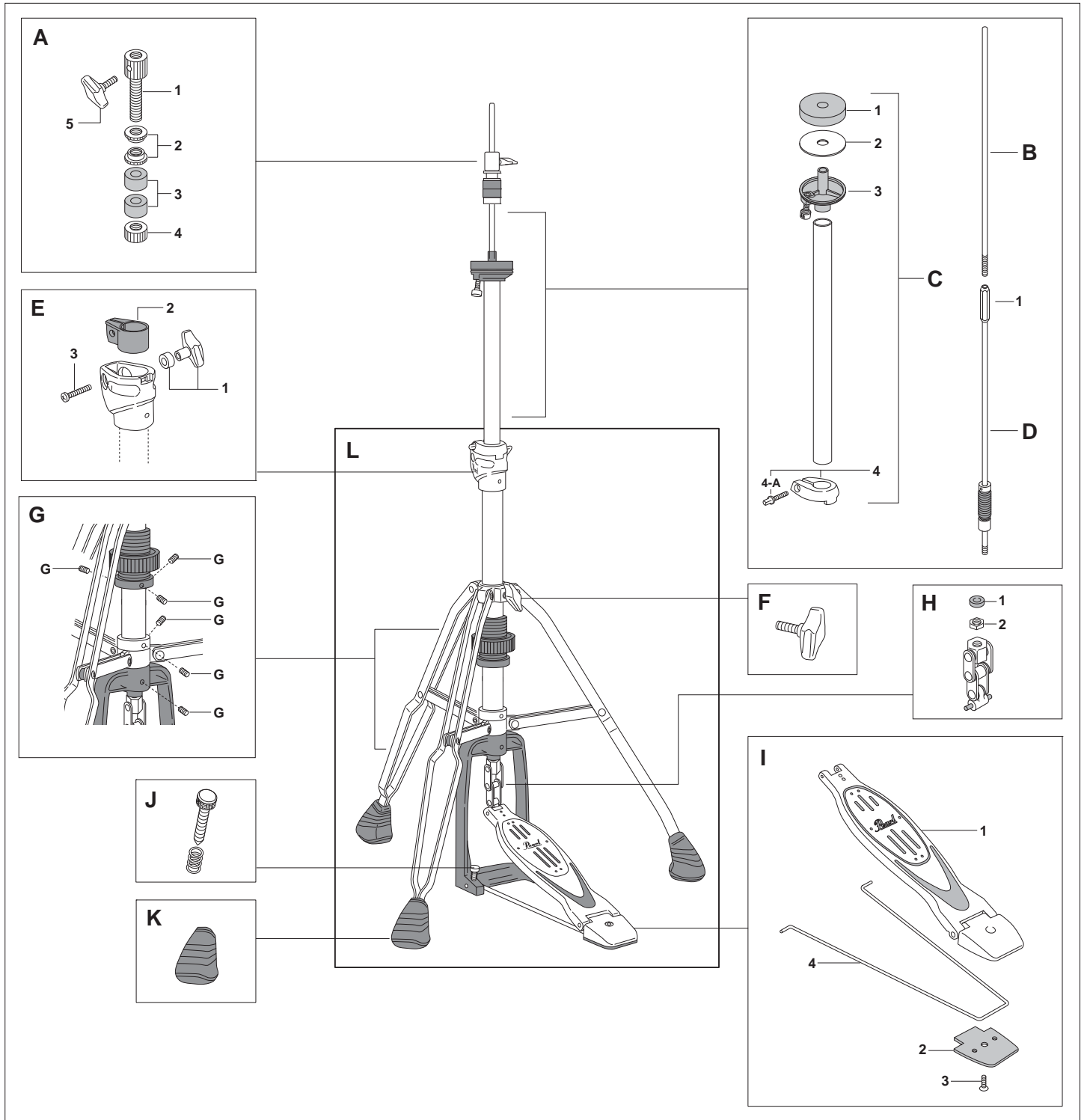
- A CL-300 Hi-Hat Clutch Complete**  
 1 ME-573AC Pipe Bolt  
 1-A SB-44 Allen Screw  
 2 CL-95N Lock Nut (one each)  
 3 FL-95 Felt Washer (one each)  
 4 DC-554A Bottom Lock Nut Complete  
 4-A KB-610 Key Bolt  
 5 UGB-610 Die-Cast Wing Bolt
- B ME-145 Upper Pull Rod**
- C HUP-100 Upper Tube Assy. Complete**  
 1 FE-17 Felt Washer  
 2 HHC-20 Plastic Cup w/Tilter  
 3 DC-580A Stop Lock Complete  
 3-A KB-625WO Key Bolt w/Washer & O-Ring
- D LS-200 Lower Pull Rod Complete**  
 1 ME-123 Pull Rod Connector ONLY  
 2 SB-44 Allen Screw
- E DJ-800 Die-Cast Joint Assy. Complete**  
 1 UGN-6 Die-Cast Wing Nut w/Washer  
 2 NP-365 Nylon Bushing  
 3 SC-169 Clamp Bolt

- F UGB-815 Die-Cast Wing Bolt**
- G SB-55 Allen Screw (one each)**
- H CHW-10K Chain Wheel Assy. Complete**  
 1 NP-377 Rubber Washer  
 2 NU-19 Nut
- I ME-649AC Connecting Chain Assy. Complete**  
 1 KB-615W Key Bolt w/Washers (one set)  
 2 ME-649A Chain ONLY
- J CBA-1K Chain Connecting Base Assy.**  
 1 S-520 Screw (one each)
- K FB-1000K Footboard Assy. Complete**  
 1 AL-24SA Traction Plate Assy.  
 1-A SC-363L Mounting Screw (one each)  
 1-B NP-283N Traction Grip (one each)  
 2 DC-508A Toe Stopper Assy.  
 2-A KB-508 Key Bolt  
 3 DC-512SN Footboard Assy. ONLY  
 4 SC-261 Screw (one each)  
 5 ME-641 Radius Rod  
 6 PR-447 Radius Rod Cover

- 7 NP-387 Rubber Mat  
 8 SC-258 Screw
- L LT-636 Anchor Screw w/Spring**
- M SC-39 Screw (one each)**
- N DC-557LF Anchor Plate, Left**
- O DC-557RF Anchor Plate, Right**
- P NP-427AC Convertible Tip Assy. Complete**  
 1 NP-427 Rubber Tip ONLY  
 2 DC-523A Spike Assy. Complete  
 2-A SP-33 Spring  
 2-B KB-625W Key Bolt w/Washers
- Q H-100KBA Base Assy. Complete**

# HI-HAT STANDS

## H-900



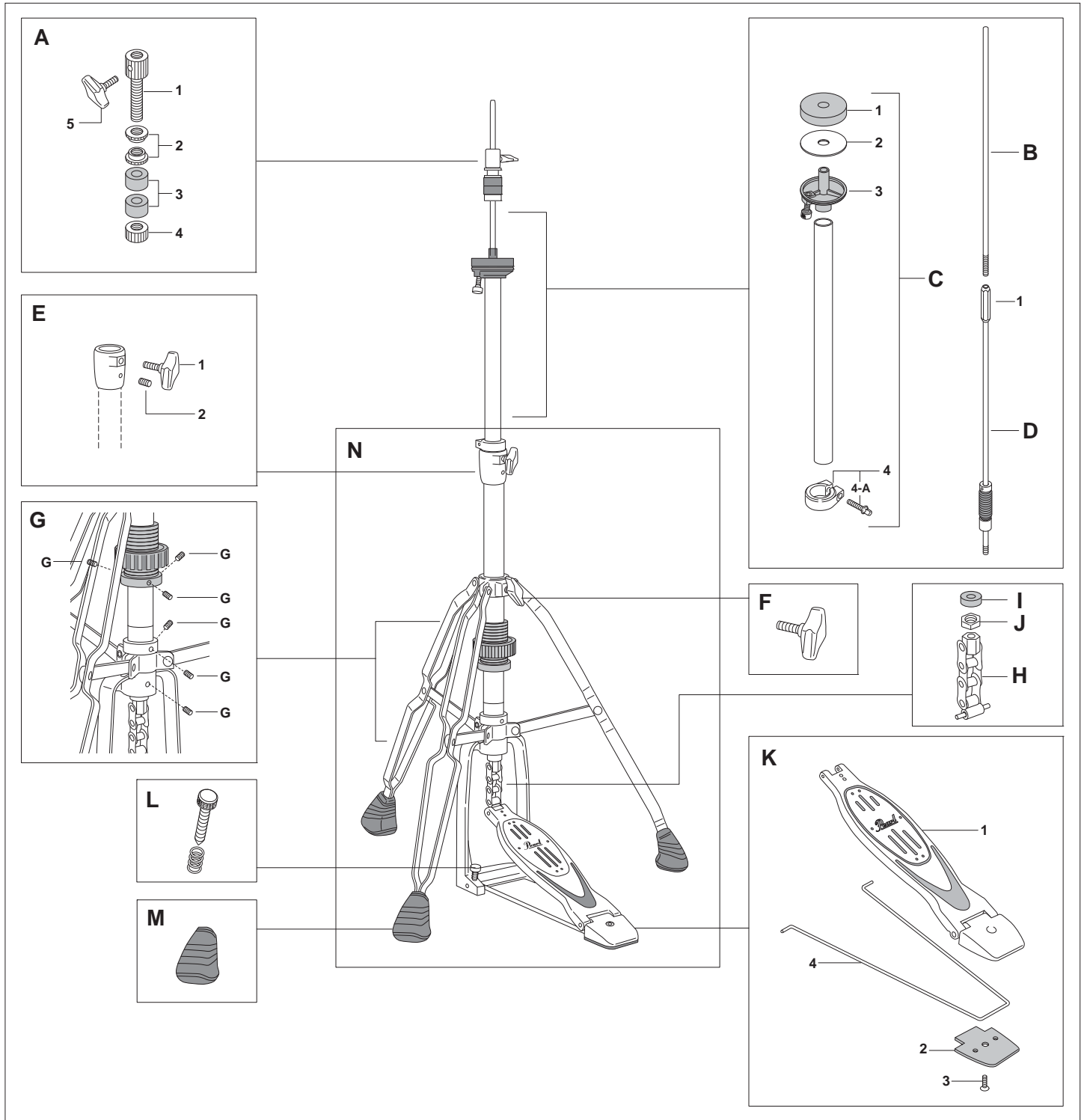
- A HCL-90 Hi-Hat Clutch Complete**  
 1 SM-11 Pipe Bolt  
 2 AM-1 Lock Nut (one each)  
 3 FL-95 Felt Washer (one each)  
 4 AM-2 Bottom Lock Nut  
 5 UGB-610 Die-Cast Wing Bolt
- B ME-145 Upper Pull Rod**
- C UT-H90 Upper Tube Assy. Complete**  
 1 FE-17 Felt Washer  
 2 PR-128 Steel Washer  
 3 HHC-90 Plastic Cup w/Tilter  
 4 ZD-24A Stop Lock Complete  
 4-A KB-625 Key Bolt

- D LPR-90 Lower Pull Rod Complete**  
 1 ME-123 Pull Rod Connector ONLY
- E PJ-90L Die-Cast Joint Assy. Complete**  
 1 UGN-6C Die-Cast Wing Nut w/Collar  
 2 PL-8 Nylon Bushing  
 3 SC-392 Clamp Bolt
- F UGB-815 Die-Cast Wing Bolt**
- G SB-55 Allen Screw (one each)**
- H LC-90 Lower Connector Assy.**  
 1 NP-377 Rubber Washer  
 2 NU-19 Nut

- I FB-H90 Footboard Assy. Complete**  
 1 FB-90H Footboard ONLY  
 2 RRC-90 Radius Rod Cover  
 3 SC-258 Screw  
 4 ME-640 Radius Rod
- J LT-626 Anchor Screw w/Spring**
- K RB-8 Rubber Tip (one each)**
- L BA-H90 Base Assy. Complete**

# HI-HAT STANDS

## H-890



**A HCL-90 Hi-Hat Clutch Complete**

- 1 SM-11 Pipe Bolt
- 2 AM-1 Lock Nut (one each)
- 3 FL-95 Felt Washer (one each)
- 4 AM-2 Bottom Lock Nut
- 5 UGB-610 Die-Cast Wing Bolt

**B ME-145 Upper Pull Rod**

**C UT-H89 Upper Tube Assy. Complete**

- 1 FE-17 Felt Washer
- 2 PR-128 Steel Washer
- 3 HHC-90 Plastic Cup w/Tilter
- 4 SX-2NN Stop Lock Complete
- 4-A KB-625 Key Bolt

**D LPR-90 Lower Pull Rod Complete**

- 1 ME-123 Pull Rod Connector ONLY

**E DJ-75HA Die-Cast Joint Assy. Complete**

- 1 UGB-815 Die-Cast Wing Bolt
- 2 SB-44 Allen Screw

**F UGB-815 Die-Cast Wing Bolt**

**G SB-55 Allen Screw (one each)**

**H LC-89 Lower Connector Assy.**

**I NP-377 Rubber Tip**

**J NU-19 Nut**

**K FB-H90 Footboard Assy. Complete**

- 1 FB-90H Footboard ONLY
- 2 RRC-90 Radius Rod Cover
- 3 SC-258 Screw
- 4 ME-640 Radius Rod

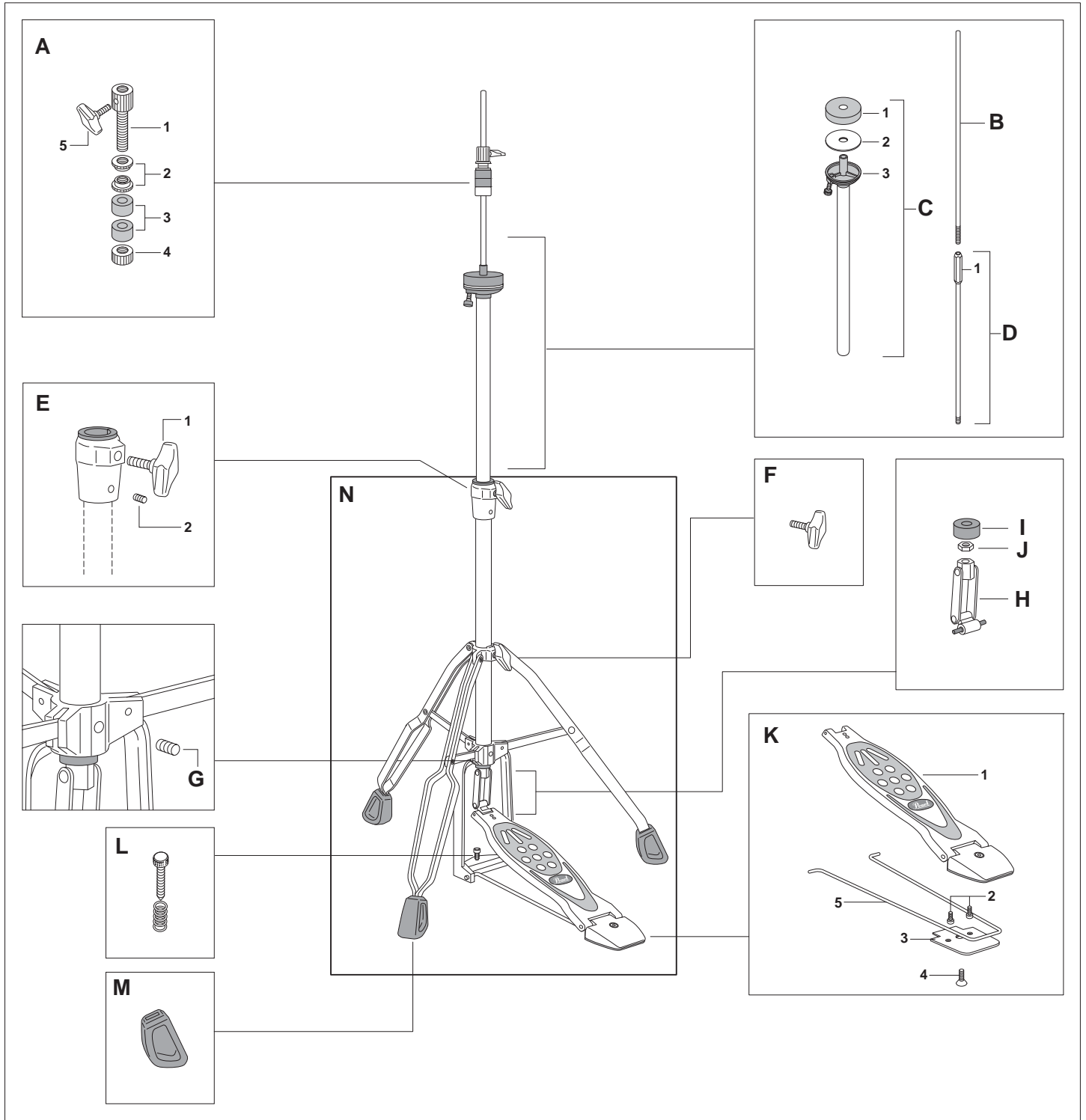
**L LT-626 Anchor Screw w/Spring**

**M RB-8 Rubber Tip (one each)**

**N BA-H89 Base Assy. Complete**

# HI-HAT STANDS

## H-72W

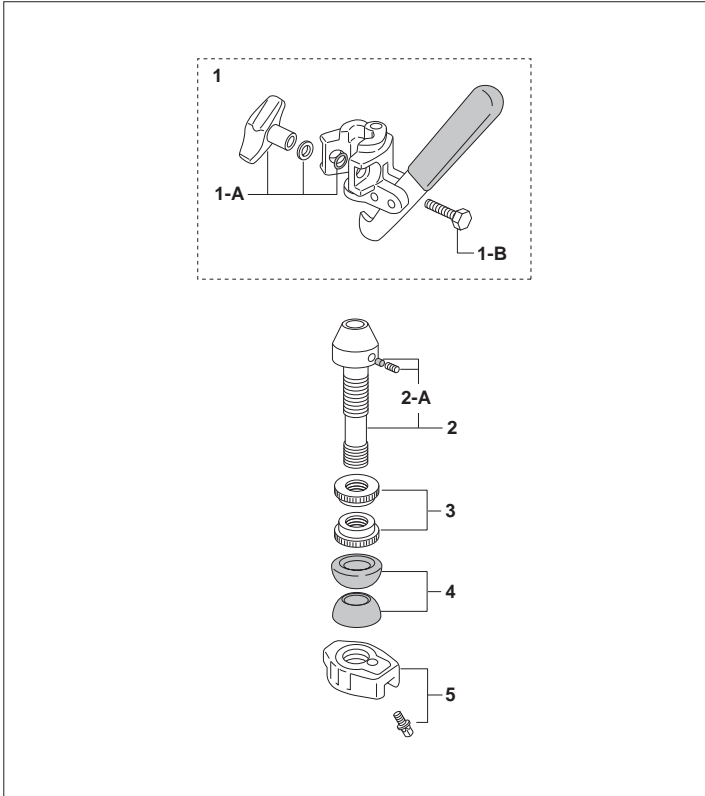


- A CL-68N Hi-Hat Clutch Complete**  
 1 ME-36 Pipe Bolt  
 2 CL-65N Lock Nut (one each)  
 3 FE-10 Felt Washer (one each)  
 4 ME-38 Bottom Lock Nut  
 5 UGB-610 Die-Cast Wing Bolt
- B ME-145 Upper Pull Rod**
- C PP-601A Upper Tube Assy. Complete**  
 1 FE-33 Felt Washer  
 2 PR-128 Steel Washer  
 3 HHC-07A Plastic Cup w/Tilter
- D ME-605AN Lower Pull Rod Complete**  
 1 ME-42N Pull Rod Connector ONLY
- E DJ-07A Die-Cast Joint Assy. Complete**  
 1 UGB-815A Die-Cast Wing Bolt  
 2 SB-44 Allen Screw

- F UGB-815A Die-Cast Wing Bolt**
- G SB-54 Allen Screw**
- H ME-197AA Pull Rod Link Assy.**
- I FE-16 Felt Washer**
- J SN-6M Hexagonal Nut**
- K FB-820 Footboard Assy. Complete**  
 1 DC-643S Footboard Assy. ONLY  
 2 SC-261 Screw (one each)  
 3 PR-447 Radius Rod Cover  
 4 SC-258 Screw  
 5 ME-640 Radius Rod
- L LT-622 Anchor Screw w/Spring**
- M NP-604 Rubber Tip (one each)**
- N H-7WL Base Assy. Complete**

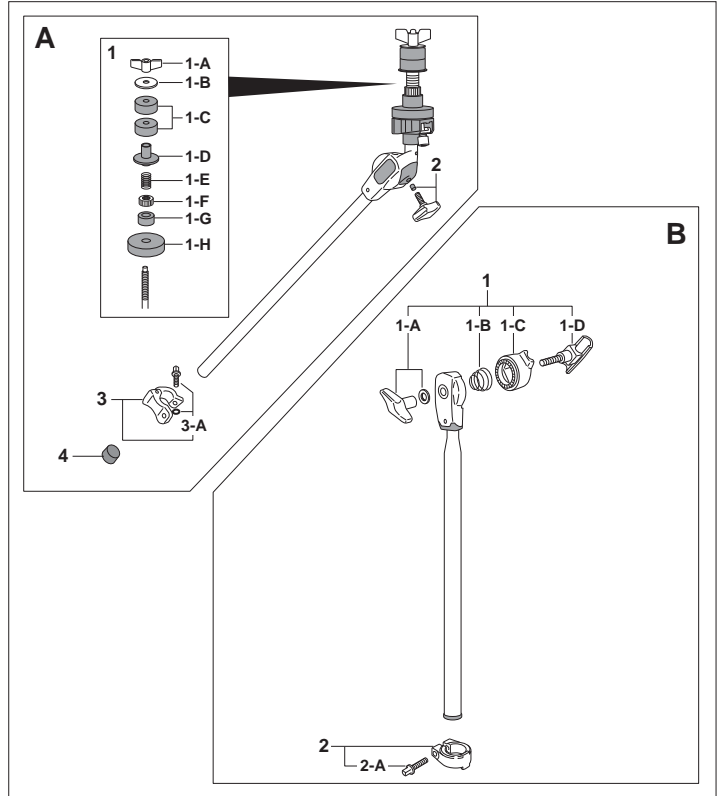
# HI-HAT ACCESSORIES

## DCL-300P Drop Clutch



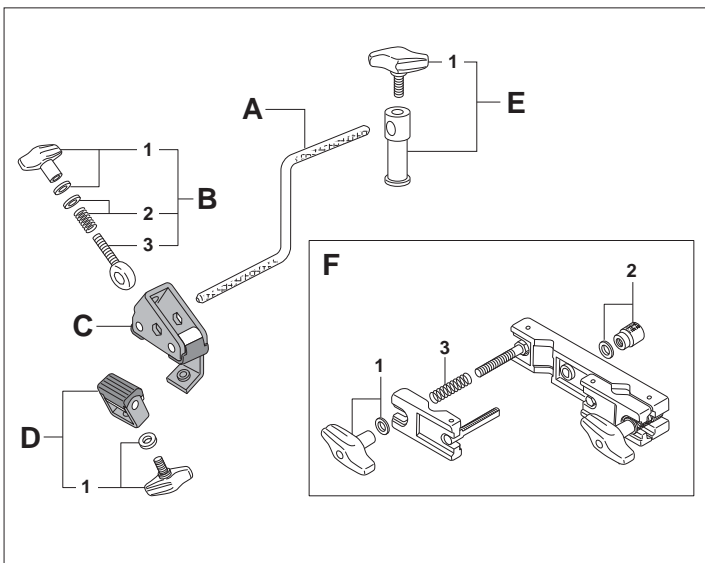
- |     |          |                                     |
|-----|----------|-------------------------------------|
| 1   | DCL-300T | Drop Clutch Head Assy.              |
| 1-A | UGN-6WO  | Die-Cast Wing Nut w/Washer & O-Ring |
| 1-B | SC-168   | Clamp Bolt                          |
| 2   | ME-642A  | Drop Clutch Bolt                    |
| 2-A | SB-55S   | Allen Screw w/Spacer                |
| 3   | ME-137   | Lock Nut (one each)                 |
| 4   | NP-210   | Rubber Washer (one each)            |
| 5   | DC-554A  | Bottom Lock Nut Complete            |

## CLH-1000



- |          |                  |                                     |          |                |                            |
|----------|------------------|-------------------------------------|----------|----------------|----------------------------|
| <b>A</b> | <b>CLH-1000U</b> | <b>Upper Section Assy. Complete</b> | 3        | DC-625A        | Stop Lock Complete         |
| 1        | TLH-1000A        | Top Section Assy.                   | 3-A      | KB-815WO       | Key Bolt w/O-Ring          |
| 1-A      | M-8W             | Die-Cast Wing Nut                   | 4        | NP-71          | Plastic Tip                |
| 1-B      | WS-57            | Steel Washer                        | <b>B</b> | <b>TU-200A</b> | <b>Tube Assy. Complete</b> |
| 1-C      | FL-95A           | Felt Washer (one each)              | 1        | BC-100A        | Boom Clamp Assy. Complete  |
| 1-D      | NP-123           | Plastic Sleeve                      | 1-A      | UGN-8L         | Die-Cast Wing Nut w/Washer |
| 1-E      | SP-41            | Spring                              | 1-B      | SP-27N         | Spring                     |
| 1-F      | ME-188           | Lock Nut                            | 1-C      | DC-594         | Clamp Gear Link            |
| 1-G      | FE-15T           | Felt Washer                         | 1-D      | DC-596A        | Boom Clamp Bolt            |
| 1-H      | FE-17            | Felt Washer                         | 2        | SX-2N          | Stop Lock Complete         |
| 2        | UGB-815P         | Die-Cast Wing Bolt w/Pin            | 2-A      | KB-625         | Key Bolt                   |

## HA-100 Hi-Hat Attachment

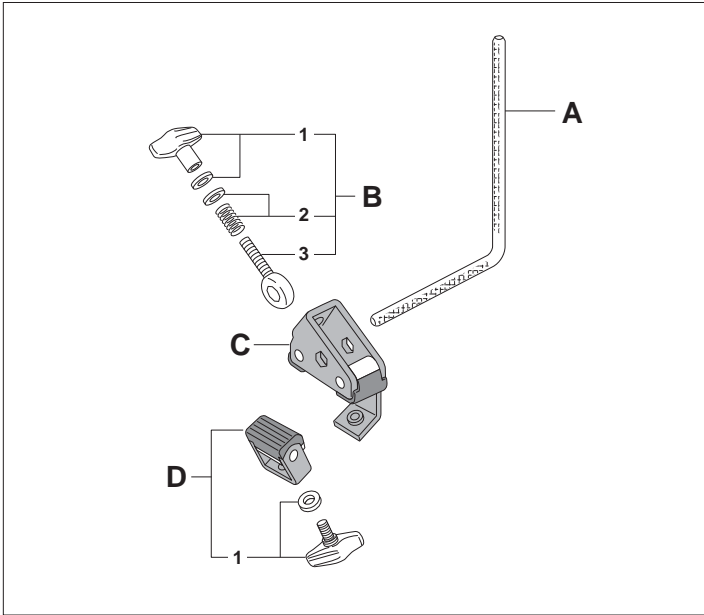


- |          |                |                                |          |                |                             |
|----------|----------------|--------------------------------|----------|----------------|-----------------------------|
| <b>A</b> | <b>ME-534N</b> | <b>Crank Rod</b>               | <b>D</b> | <b>PR-569A</b> | <b>Hoop Clamp Assy.</b>     |
| <b>B</b> | <b>SC-271A</b> | <b>Eye Bolt Assy. Complete</b> | 1        | UGB-825W       | Die-Cast Wing Bolt w/Washer |
| 1        | UGN-8          | Die-Cast Wing Nut w/Washer     | <b>E</b> | <b>ME-536A</b> | <b>Crank Rod Bracket</b>    |
| 2        | SP-20SW        | Spring w/Washer                | 1        | UGB-815        | Die-Cast Wing Bolt          |
| 3        | SC-271         | Eye Bolt ONLY                  | <b>F</b> | <b>AX-20</b>   | <b>Adapter</b>              |
| <b>C</b> | <b>PR-570A</b> | <b>Hoop Mount Holder Assy.</b> | 1        | UGN-8          | Die-Cast Wing Nut w/Washer  |
|          |                |                                | 2        | M-8RN          | Knurled Round Nut w/Washer  |
|          |                |                                | 3        | SP-26          | Spring                      |



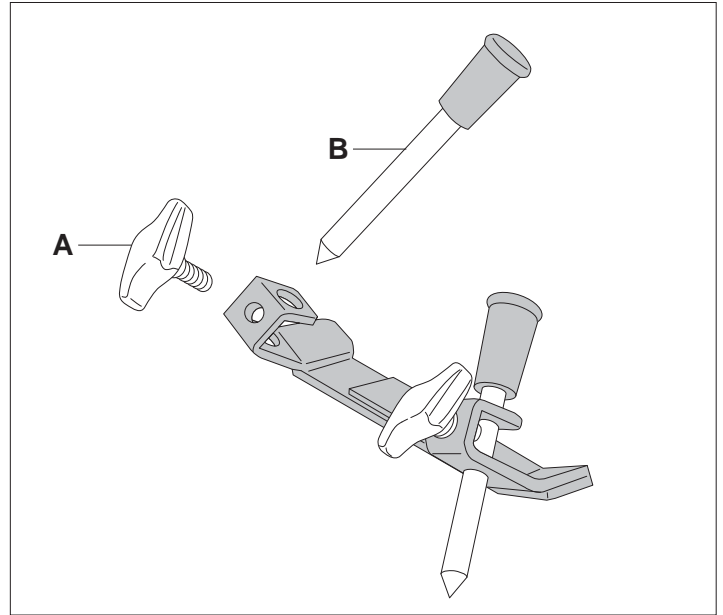
# ACCESSORIES

## CA-100 Cowbell Holder



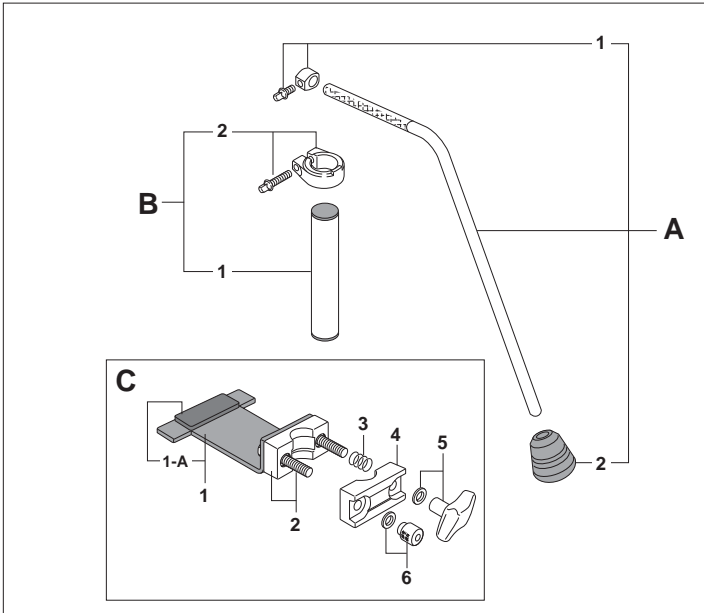
- A** ME-535 L Rod  
**B** SC-271A Eye Bolt Assy. Complete  
 1 UGN-8 Die-Cast Wing Nut w/Washer  
 2 SP-20SW Spring w/Washer  
 3 SC-271 Eye Bolt ONLY  
**C** PR-570A Hoop Mount Holder Assy.  
**D** PR-569A Hoop Clamp Assy.  
 1 UGB-825W Die-Cast Wing Bolt w/Washer

## PS-85 Stabilizer



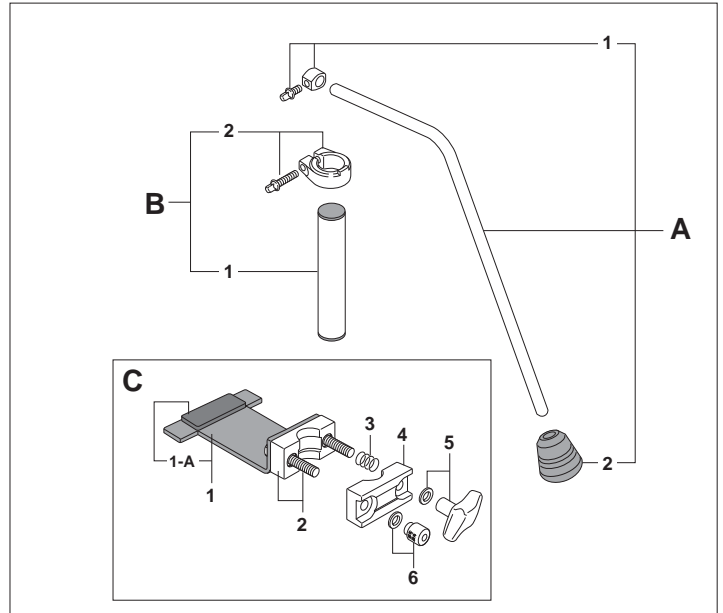
- A** UGB-815 Die-Cast Wing Bolt (one each)  
**B** ME-209A Spike w/Rubber Tip (one each)

## JG-16 Jungle Gig Adaptor



- A** ME-508A Leg Assy. Complete  
 1 LG-04S Stop Lock Complete  
 2 R-5 Rubber Tip (one each)  
**B** PP-182A Pipe Assy. Complete  
 1 PP-182 Pipe w/Plastic Caps  
 2 SX-2N Stop Lock Complete  
**C** PR-551AC Pedal Plate Assy. Complete  
 1 PR-551A Pedal Plate ONLY  
 1-A NP-140 Rubber Protector  
 2 DC-365A Pipe Bracket w/Bolts  
 3 SP-45S Spring  
 4 DC-366 Die-Cast Link  
 5 UGN-8 Die-Cast Wing Nut w/Washer  
 6 M-8RN Knurled Round Nut w/Washer

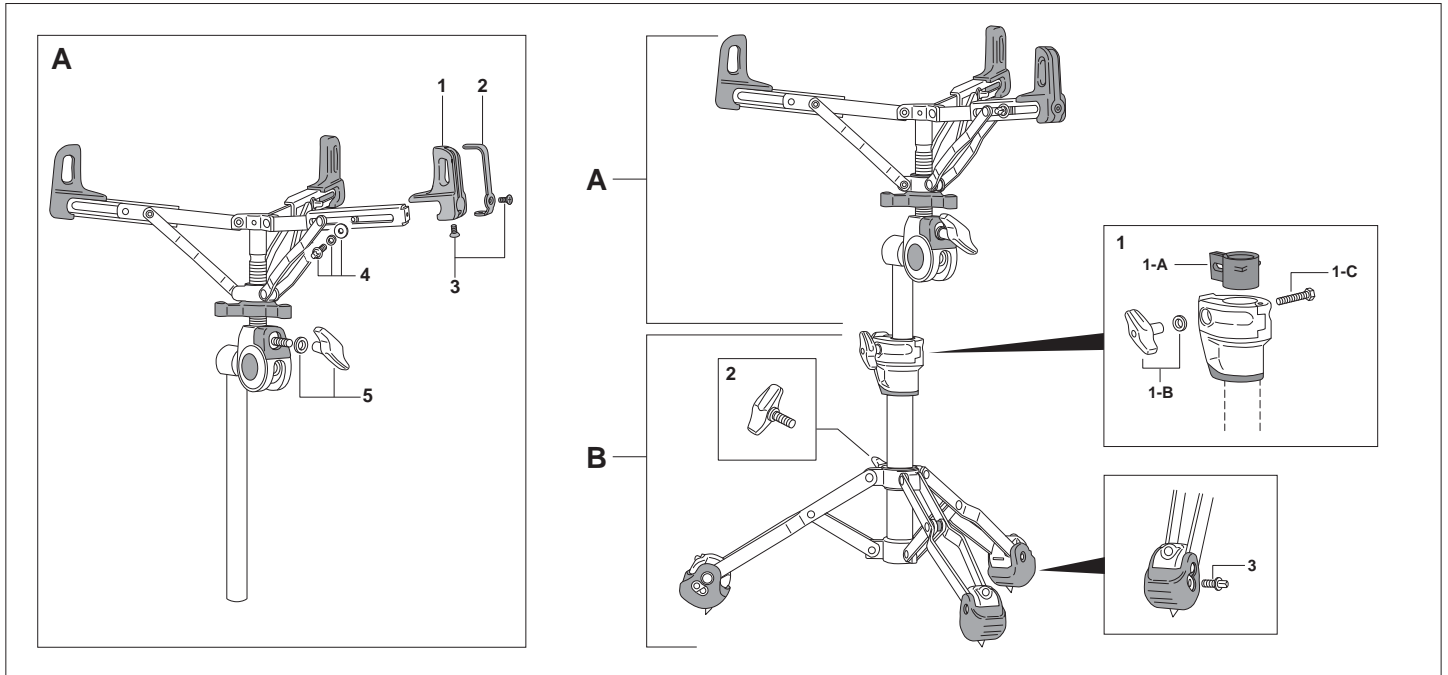
## JG-16NK Jungle Gig Adaptor



- A** ME-723A Leg Assy. Complete  
 1 LG-02NS Stop Lock Complete  
 2 R-5 Rubber Tip (one each)  
**B** PP-182A Pipe Assy. Complete  
 1 PP-182 Pipe w/Plastic Caps  
 2 SX-2N Stop Lock Complete  
**C** PR-551AC Pedal Plate Assy. Complete  
 1 PR-551A Pedal Plate ONLY  
 1-A NP-140 Rubber Protector  
 2 DC-365A Pipe Bracket w/Bolts  
 3 SP-45S Spring  
 4 DC-366 Die-Cast Link  
 5 UGN-8 Die-Cast Wing Nut w/Washer  
 6 M-8RN Knurled Round Nut w/Washer

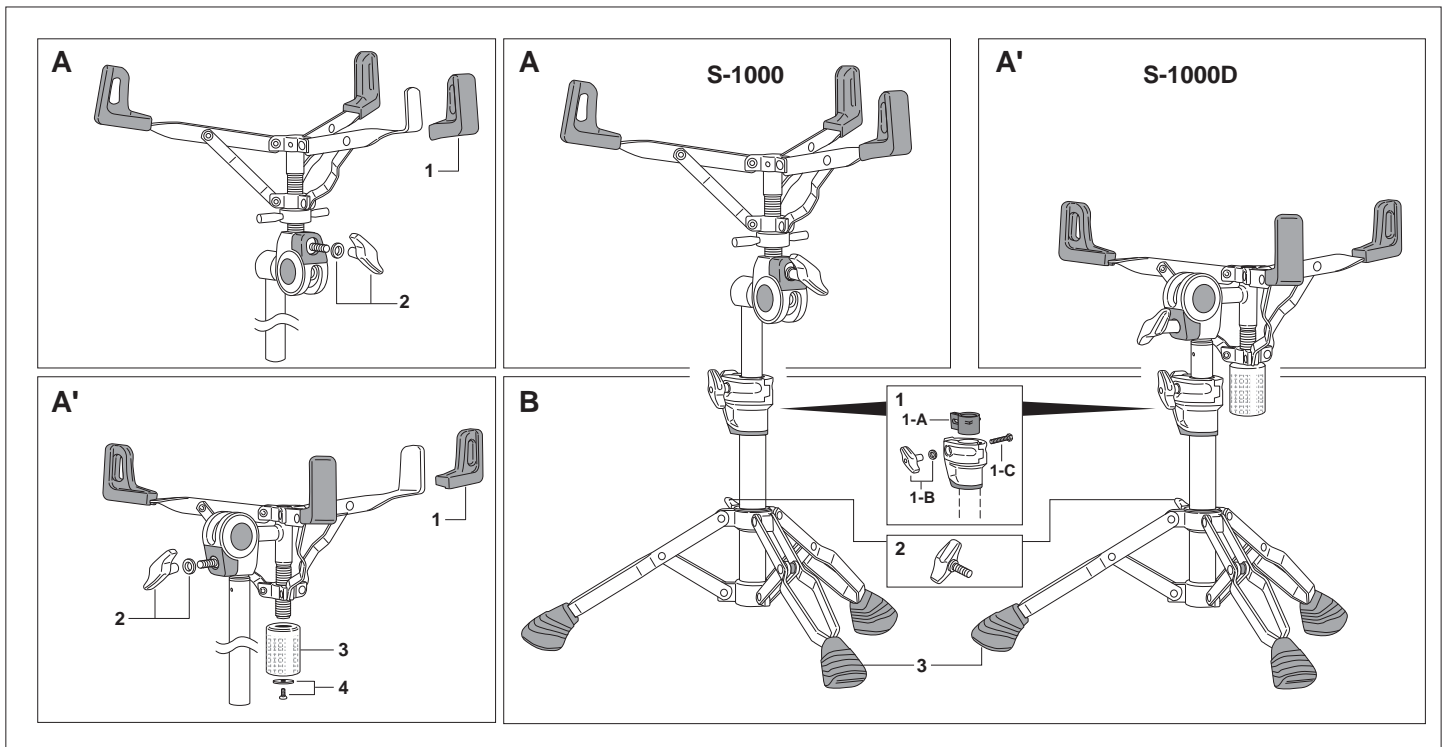
# SNARE STANDS

## S-2000



- |          |               |                             |          |               |                               |
|----------|---------------|-----------------------------|----------|---------------|-------------------------------|
| <b>A</b> | <b>S-204A</b> | <b>Basket Complete</b>      | <b>B</b> | <b>S-204B</b> | <b>Base Assy. Complete</b>    |
| 1        | NP-320        | Rubber Sleeve (one each)    | 1        | DJ-700        | Die-Cast Joint Assy. Complete |
| 2        | PR-573        | Rubber Sleeve Support Plate | 1-A      | NP-366        | Nylon Bushing                 |
| 3        | SC-363        | Screw (one each)            | 1-B      | UGN-6         | Die-Cast Wing Nut w/Washer    |
| 4        | KB-615W       | Key Bolt w/Washers          | 1-C      | SC-169        | Clamp Bolt                    |
| 5        | UGN-8L        | Die-Cast Wing Nut w/Washer  | 2        | UGB-815       | Die-Cast Wing Bolt            |
|          |               |                             | 3        | KB-625        | Key Bolt                      |

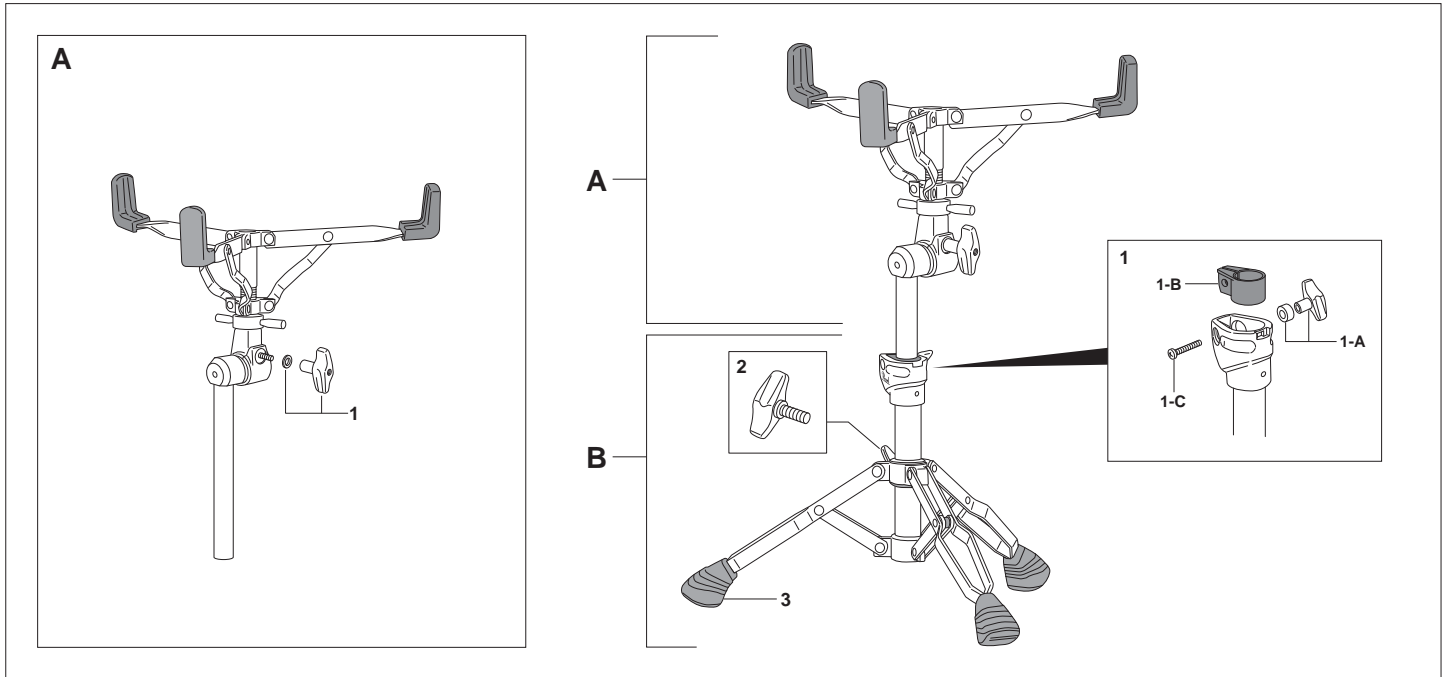
## S-1000 / S-1000D



- |          |               |                            |           |                |                            |          |               |                               |
|----------|---------------|----------------------------|-----------|----------------|----------------------------|----------|---------------|-------------------------------|
| <b>A</b> | <b>S-100A</b> | <b>Basket Complete</b>     | <b>A'</b> | <b>S-100DA</b> | <b>Basket Complete</b>     | <b>B</b> | <b>S-100B</b> | <b>Base Assy. Complete</b>    |
| 1        | NP-358        | Rubber Sleeve (one each)   | 1         | NP-358         | Rubber Sleeve (one each)   | 1        | DJ-700        | Die-Cast Joint Assy. Complete |
| 2        | UGN-8L        | Die-Cast Wing Nut w/Washer | 2         | UGN-8L         | Die-Cast Wing Nut w/Washer | 1-A      | NP-366        | Nylon Bushing                 |
|          |               |                            | 3         | ME-698         | Adjustment Dial            | 1-B      | UGN-6         | Die-Cast Wing Nut w/Washer    |
|          |               |                            | 4         | ME-697A        | Flat Head Screw w/Washer   | 1-C      | SC-169        | Clamp Bolt                    |
|          |               |                            |           |                |                            | 2        | UGB-815       | Die-Cast Wing Bolt            |
|          |               |                            |           |                |                            | 3        | R-20N         | Rubber Tip (one each)         |

# SNARE STANDS

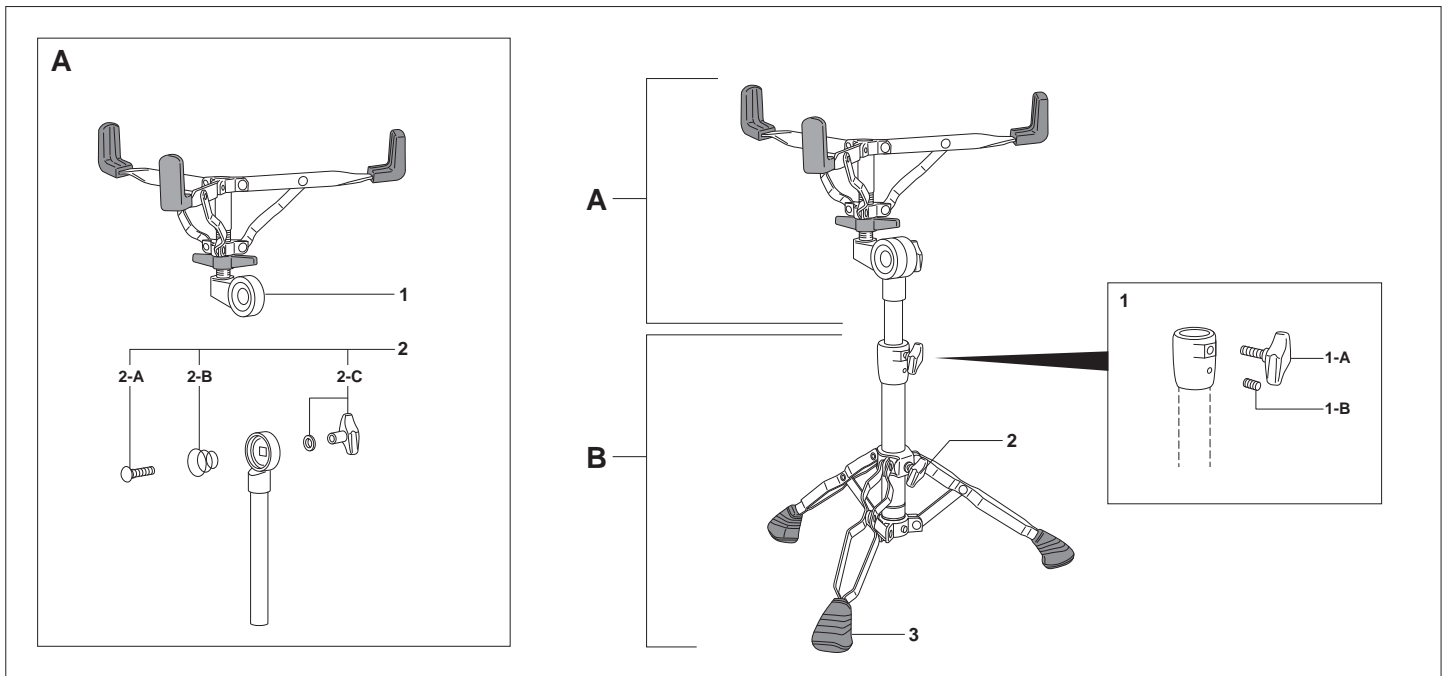
## S-900



**A S-90A Basket Complete**  
 1 UGN-8L Die-Cast Wing Nut w/Washer

**B BA-S90 Base Assy. Complete**  
 1 PJ-90L Die-Cast Joint Assy. Complete  
 1-A UGN-6C Die-Cast Wing Nut w/Collar  
 1-B PL-8 Nylon Bushing  
 1-C SC-392 Clamp Bolt  
 2 UGB-815 Die-Cast Wing Bolt  
 3 RB-9 Rubber Tip (one each)

## S-890

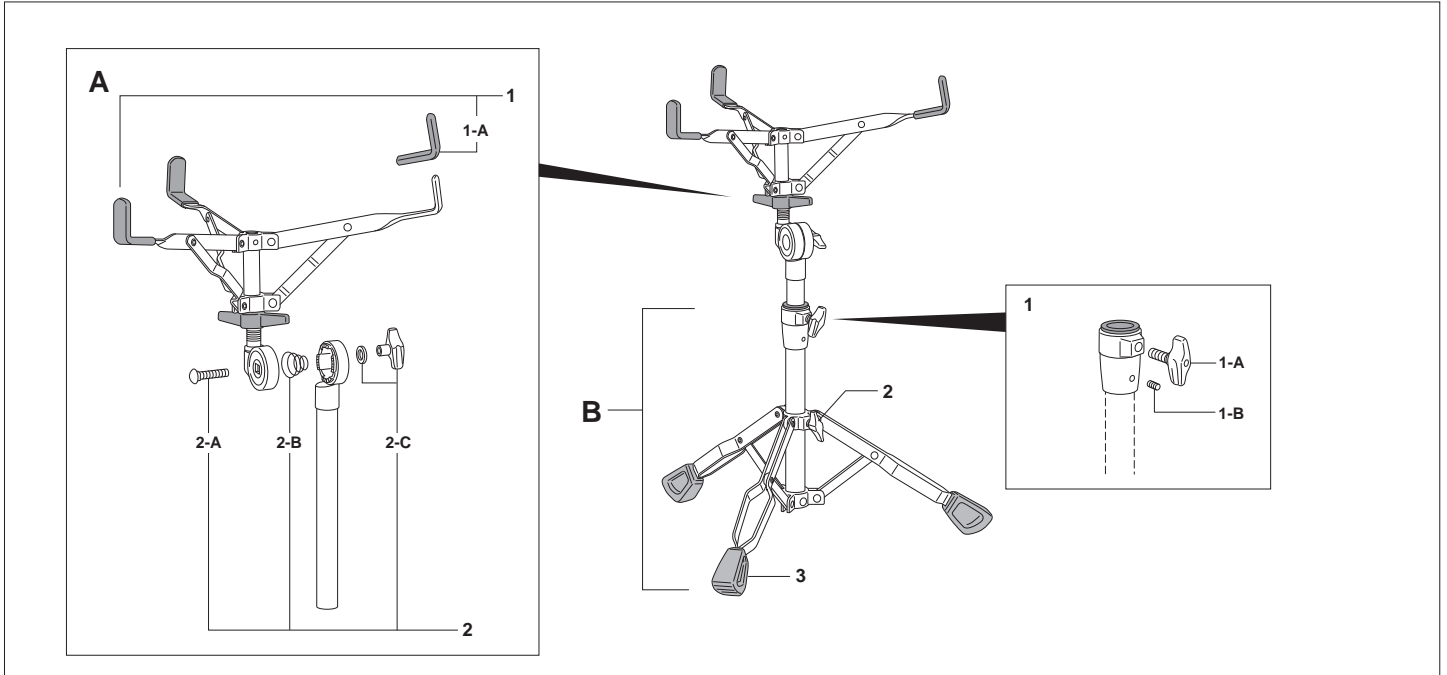


**A S-89A Basket Complete**  
 1 S-89AA Basket Assy. w/Rubber Sleeves  
 2 SN-85A Bolt & Nut Set w/Spring  
 2-A SC-36B Clamp Bolt  
 2-B SP-27 Spring  
 2-C UGN-8 Die-Cast Wing Nut w/Washer

**B BA-S89 Base Assy. Complete**  
 1 DJ-75HA Die-Cast Joint Assy. Complete  
 1-A UGB-815 Die-Cast Wing Bolt  
 1-B SB-44 Allen Screw  
 2 UGB-815 Die-Cast Wing Bolt  
 3 RB-9 Rubber Tip (one each)

# SNARE STANDS

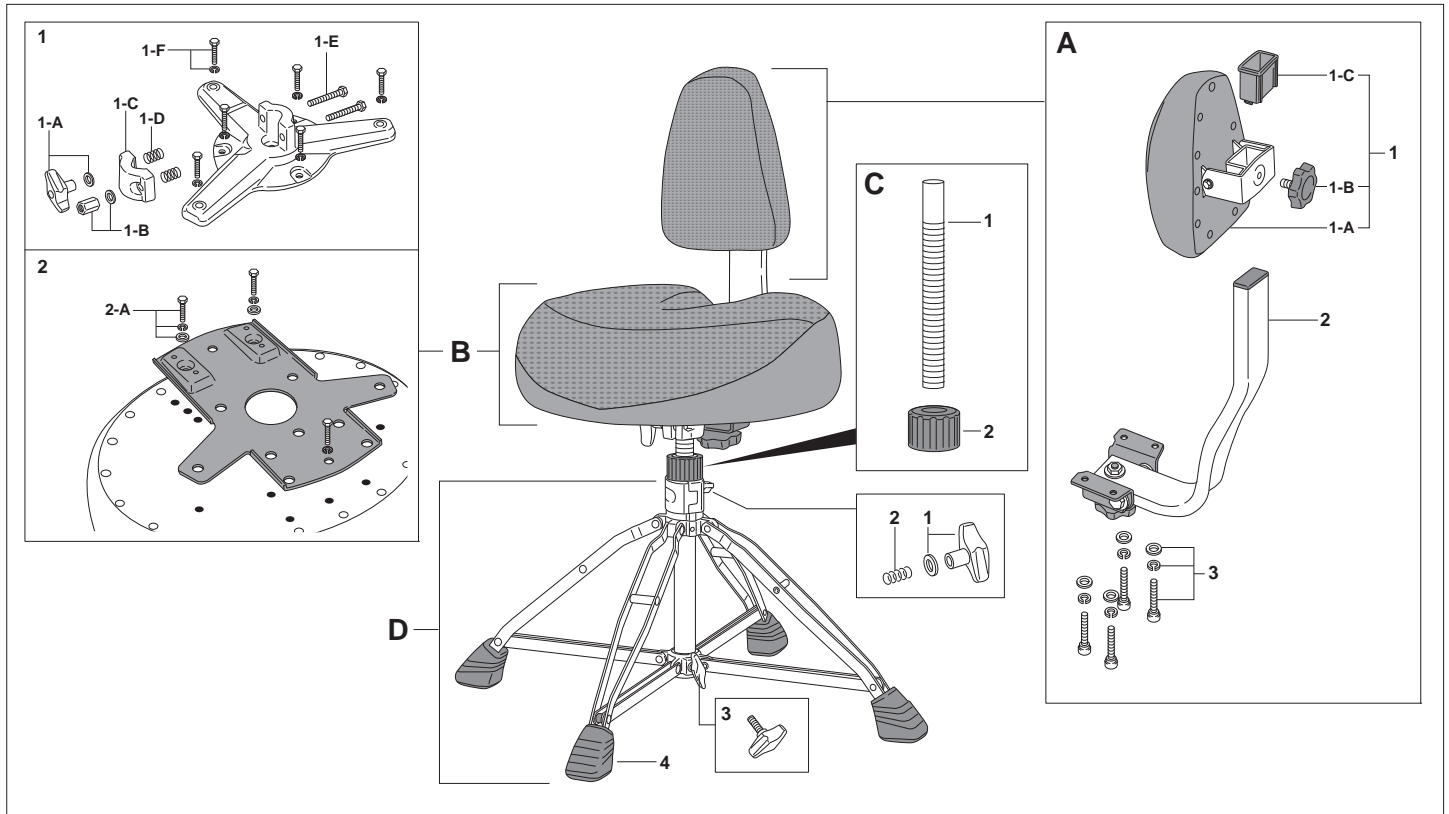
## S-70W



<b>A</b>	<b>S-07A</b>	<b>Basket Complete</b>	<b>B</b>	<b>PP-611A</b>	<b>Base Assy. Complete</b>
1	S-07AA	Basket Assy. w/Rubber Sleeves	1	DJ-07A	Die-Cast Joint Assy. Complete
1-A	S-75C	Rubber Sleeve (one each)	1-A	UGB-815	Die-Cast Wing Bolt
2	SN-85A	Bolt & Nut Set w/Spring	1-B	SB-44	Allen Screw
2-A	SC-36B	Clamp Bolt	2	UGB-815	Die-Cast Wing Bolt
2-B	SP-27	Spring	3	NP-604	Rubber Tip (one each)
2-C	UGN-8	Die-Cast Wing Nut w/Washer			

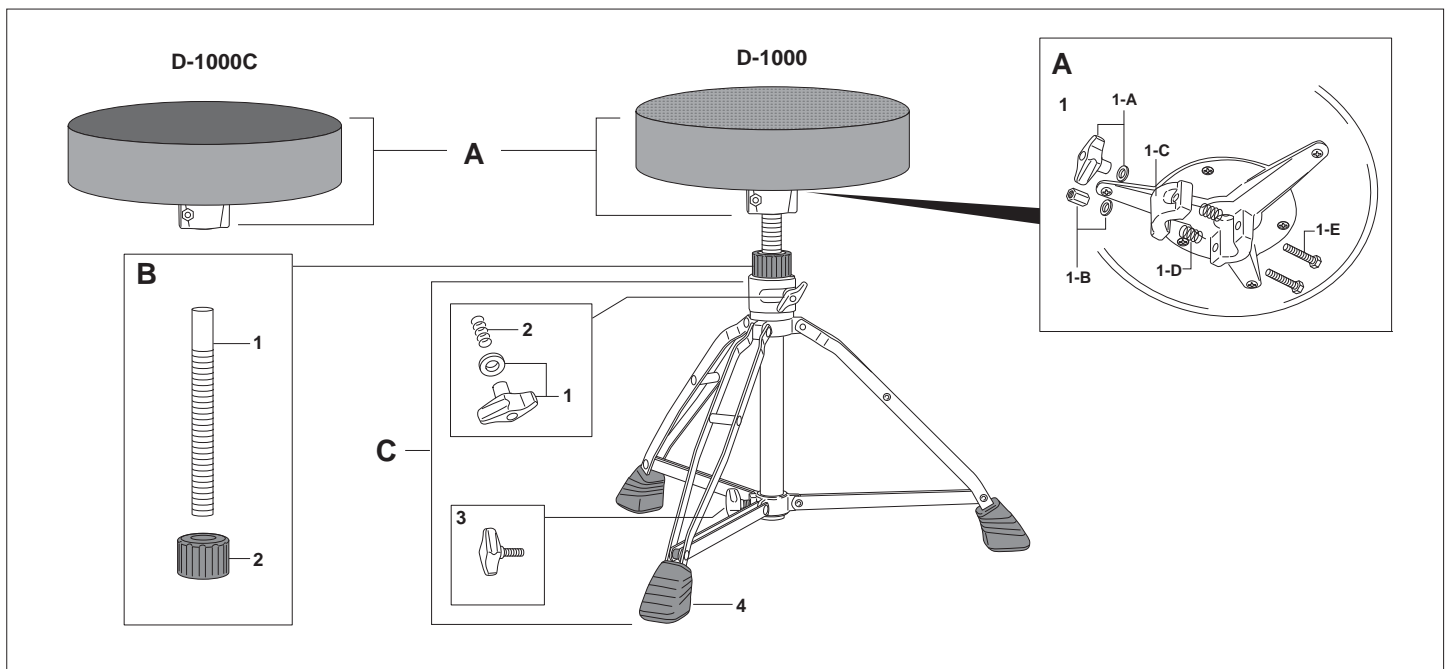
# DRUM THRONES

## D-2000BR/2000



- |          |                 |  |          |                |  |          |                |   |
|----------|-----------------|--|----------|----------------|--|----------|----------------|---|
| <b>A</b> | <b>BR-2000A</b> | <b>Back Rest Only for D-2000BR</b>     | <b>B</b> | <b>SE-200A</b> | <b>Seat Top ONLY for D-2000BR / D-2000</b> | <b>C</b> | <b>ME-571A</b> | <b>Height Adjustment Post, Complete</b> |
| 1        | NP-423BB        | Back Rest Cushion Assy. Complete       | 1        | DC-644A        | Rod Bracket Assy. Complete                 | 1        | ME-571         | Threaded Post                           |
| 1-A      | NP-423BA        | Back Rest Cushion ONLY                 | 1-A      | UGN-8          | Die-Cast Wing Nut w/Washer                 | 2        | ME-583         | Lock Nut                                |
| 1-B      | NP-389          | Knob Bolt                              | 1-B      | M-8SW          | Hexagonal Nut w/Washer                     | <b>D</b> | <b>D-200A</b>  | <b>Base Assy. Complete</b>              |
| 1-C      | NP-393          | Plastic End Cap                        | 1-C      | DC-645         | Die-Cast Clamp                             | 1        | UGN-8          | Die-Cast Wing Nut w/Washer              |
| 2        | PP-201A         | Back Rest Post Assy.                   | 1-D      | SP-45          | Spring (one each)                          | 2        | SP-26          | Spring                                  |
| 3        | SC-119A         | Bolt, Washer and Lock Washer (one set) | 1-E      | SC-121         | Clamp Bolt (one each)                      | 3        | UGB-815        | Die-Cast Wing Bolt                      |
|          |                 |  | 1-F      | SC-379A        | Hex Head Bolt w/Washer (one set)           | 4        | R-26N          | Rubber Tip (one each)                   |
|          |                 |  | 2        | PR-651A        | Back Rest Attachment Plate Complete        |          |                |   |
|          |                 |  | 2-A      | SC-379B        | Bolt, Washer and Lock Washer (one set)     |          |                |   |

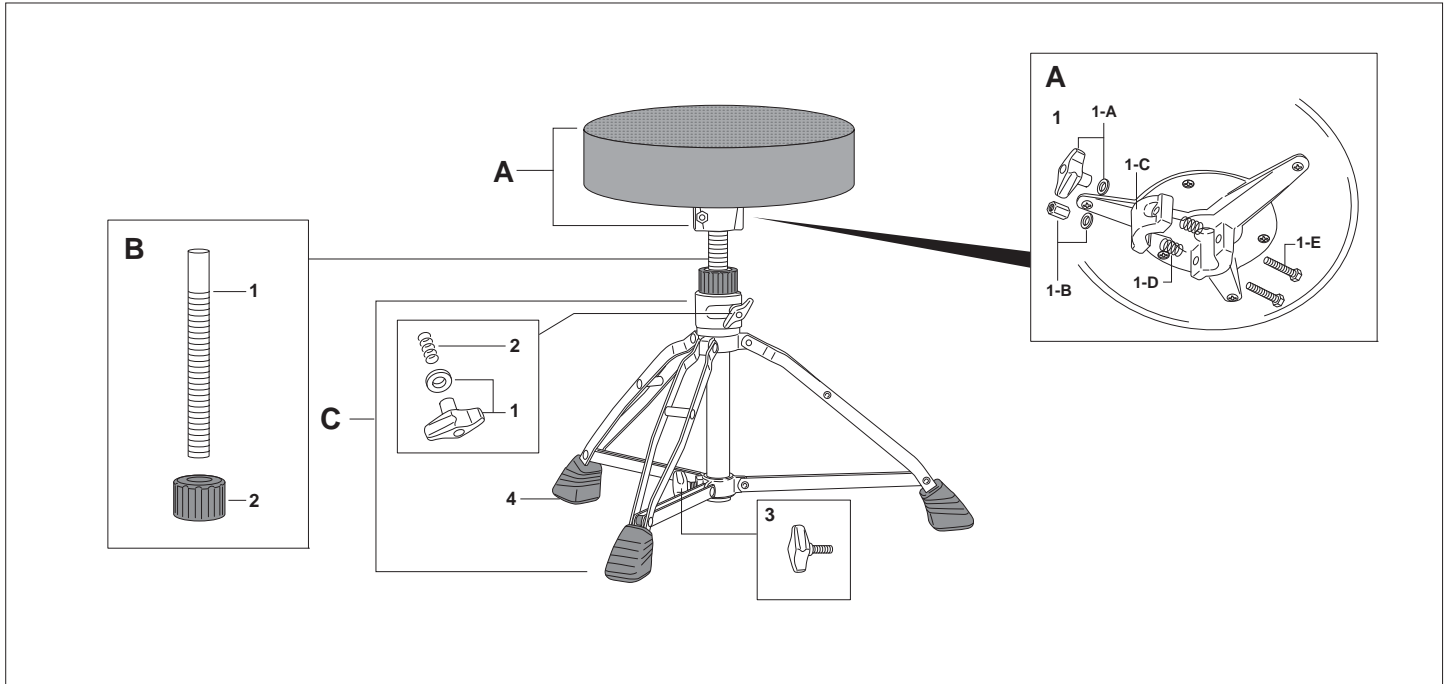
## D-1000/1000C



- |          |                  |   |          |                |   |          |               |                            |
|----------|------------------|---|----------|----------------|---|----------|---------------|----------------------------|
| <b>A</b> | <b>SE-100NA</b>  | <b>Seat Top ONLY, Vinyl w/Two-piece Bracket</b> | <b>B</b> | <b>ME-571A</b> | <b>Height Adjustment Post, Complete</b> | <b>C</b> | <b>D-100A</b> | <b>Base Assy. Complete</b> |
| <b>A</b> | <b>SE-100CNA</b> | <b>Seat Top ONLY, Cloth w/Two-piece Bracket</b> | 1        | ME-571         | Threaded Post                           | 1        | UGN-8         | Die-Cast Wing Nut w/Washer |
| 1        | DC-486NA         | Rod Bracket Assy. Complete                      | 2        | ME-583         | Lock Nut                                | 2        | SP-26         | Spring                     |
| 1-A      | UGN-8            | Die-Cast Wing Nut w/Washer                      |          |                |   | 3        | UGB-815       | Die-Cast Wing Bolt         |
| 1-B      | M-8SW            | Hexagonal Nut w/Washer                          |          |                |   | 4        | R-26N         | Rubber Tip (one each)      |
| 1-C      | DC-645           | Die-Cast Clamp                                  |          |                |   |          |               |                            |
| 1-D      | SP-45            | Spring (one each)                               |          |                |   |          |               |                            |
| 1-E      | SC-121           | Clamp Bolt (one each)                           |          |                |   |          |               |                            |

# DRUM THRONES

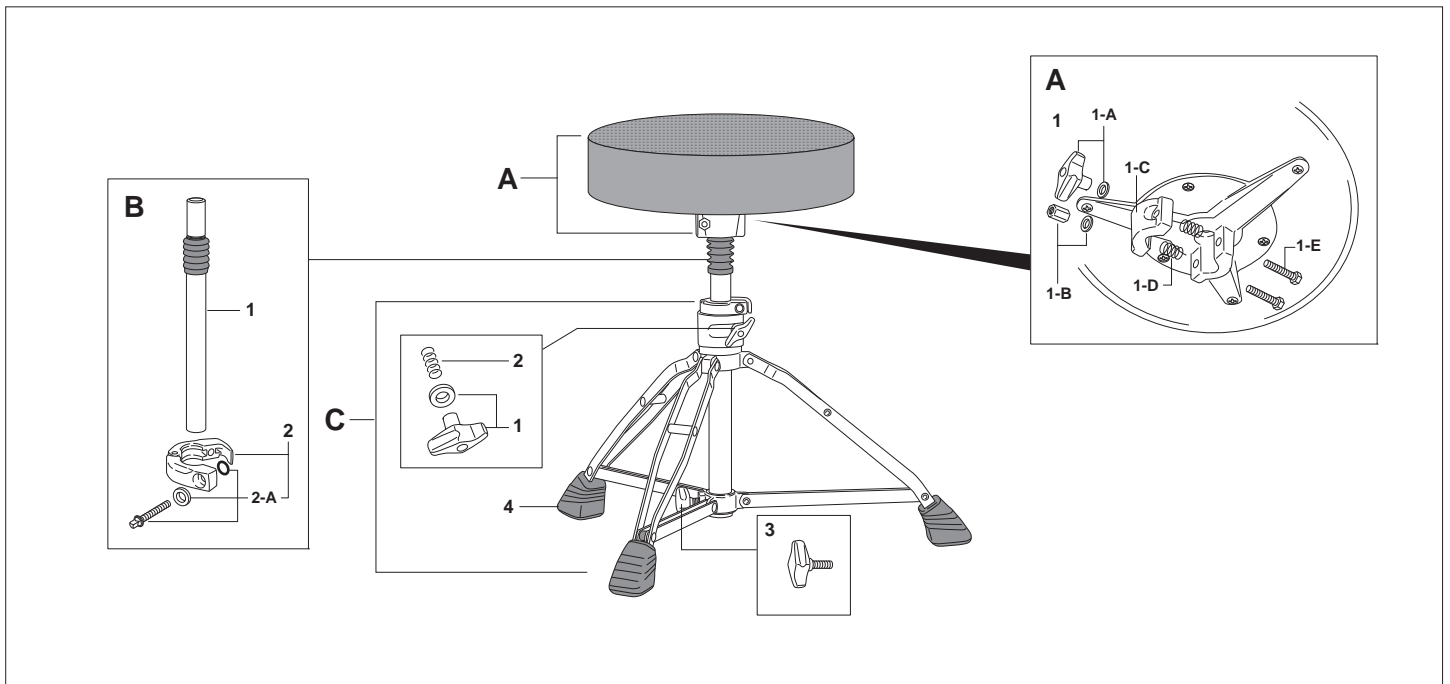
## D-1000S



- A SE-100NA Seat Top ONLY, Vinyl w/Two-piece Bracket**  
 1 DC-486NA Rod Bracket Assy. Complete  
 1-A UGN-8 Die-Cast Wing Nut w/Washer  
 1-B M-8SW Hexagonal Nut w/Washer  
 1-C DC-645 Die-Cast Clamp  
 1-D SP-45 Spring (one each)  
 1-E SC-121 Clamp Bolt (one each)

- B ME-571A Height Adjustment Post, Complete**  
 1 ME-571 Threaded Post  
 2 ME-583 Lock Nut
- C D-100SA Base Assy. Complete**  
 1 UGN-8 Die-Cast Wing Nut w/Washer  
 2 SP-26 Spring  
 3 UGB-815 Die-Cast Wing Bolt  
 4 R-26N Rubber Tip (one each)

## D-1000SP



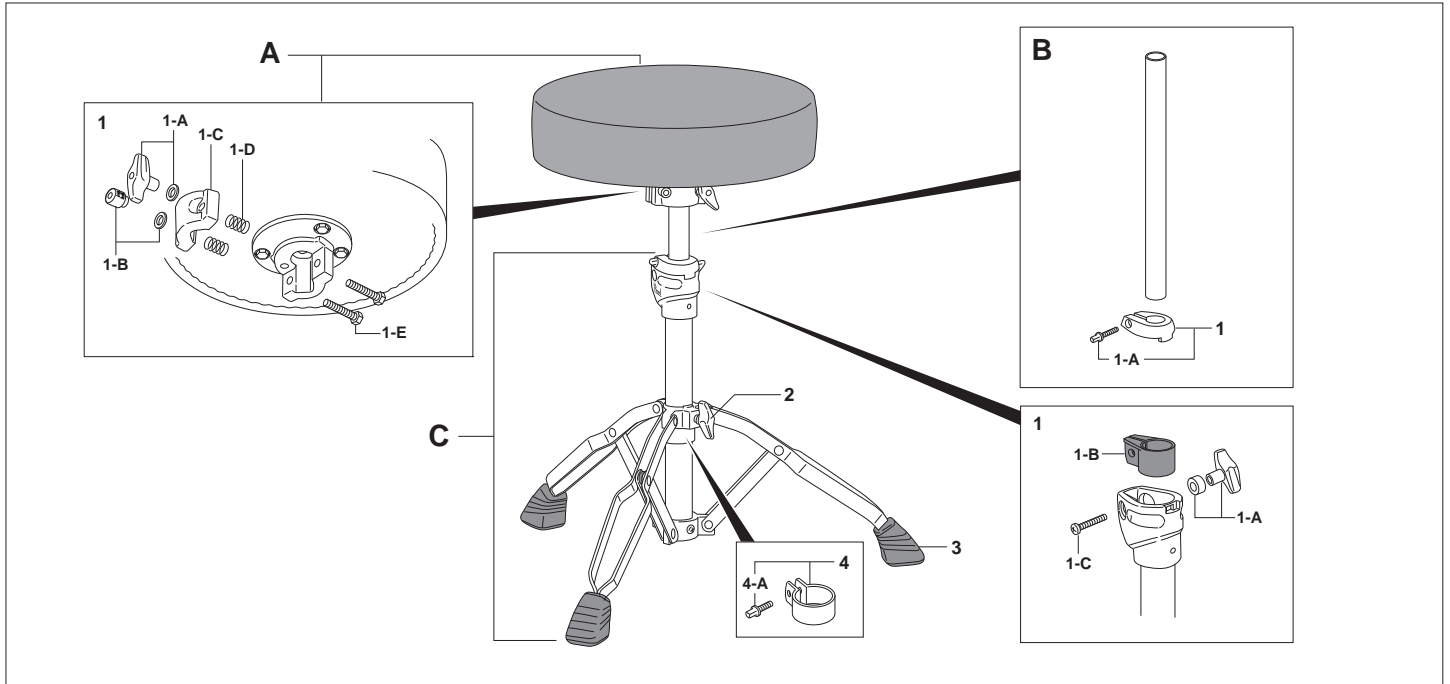
- A SE-100NA Seat Top ONLY, Vinyl w/Two-piece Bracket**  
 1 DC-486NA Rod Bracket Assy. Complete  
 1-A UGN-8 Die-Cast Wing Nut w/Washer  
 1-B M-8SW Hexagonal Nut w/Washer  
 1-C DC-645 Die-Cast Clamp  
 1-D SP-45 Spring (one each)  
 1-E SC-121 Clamp Bolt (one each)

- B SP-75A Shock Absorber Post, Complete**  
 1 SP-75 Shock Absorber Post ONLY  
 2 DC-580A Stop Lock Complete  
 2-A KB-625WO Key Bolt w/Washer & O-Ring

- C D-100SPA Base Assy. Complete**  
 1 UGN-8 Die-Cast Wing Nut w/Washer  
 2 SP-26 Spring  
 3 UGB-815 Die-Cast Wing Bolt  
 4 R-26N Rubber Tip (one each)

# DRUM THRONES

## D-900

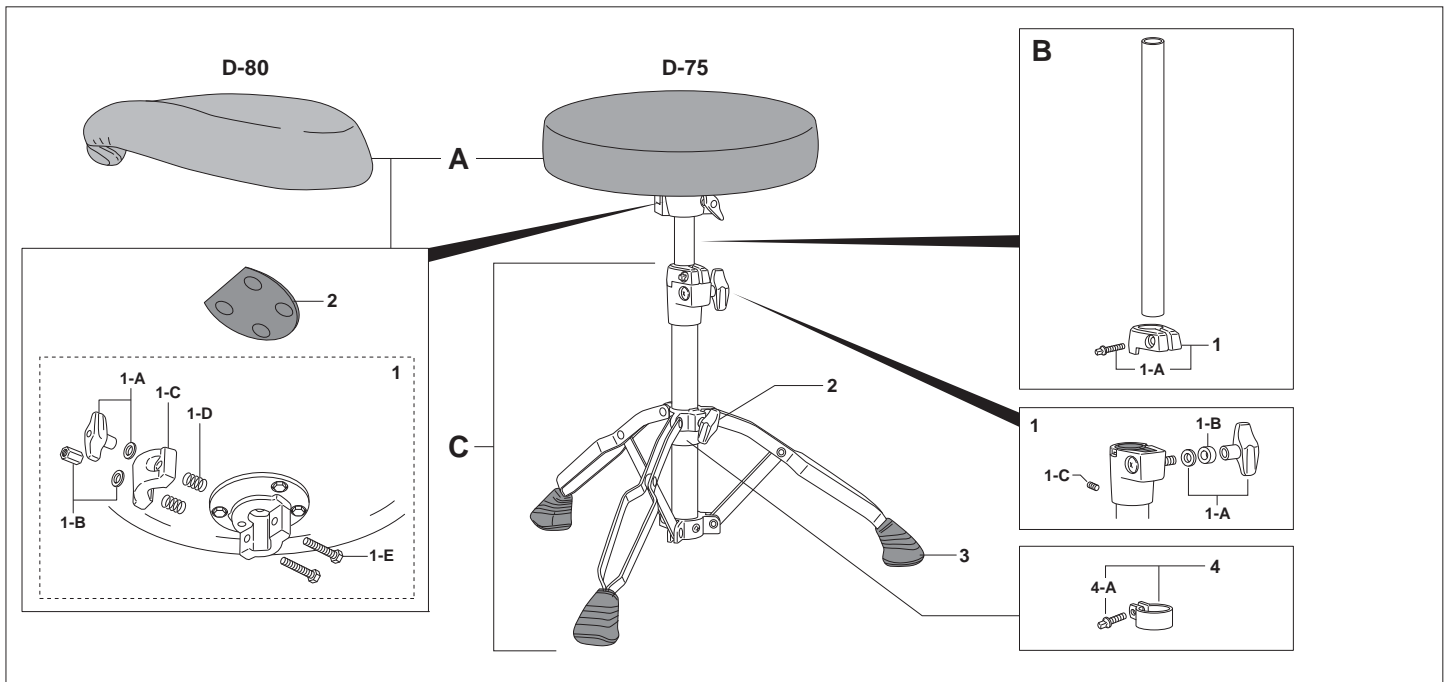


- A SEA-90A Seat Top ONLY, Vinyl w/Two-piece Bracket**  
**1 RBA-900A Rod Bracket Assy. Complete**  
**1-A UGN-8 Die-Cast Wing Nut w/Washer**  
**1-B M-8RN Knurled Round Nut w/Washer**  
**1-C DC-645 Die-Cast Clamp**  
**1-D SP-45 Spring (one each)**  
**1-E SC-133 Clamp Bolt (one each)**

- B UT-D90 Height Adjustment Rod Assy. Complete**  
**1 ZD-24A Stop Lock Complete**  
**1-A KB-625 Key Bolt**

- C BA-D90 Base Assy. Complete**  
**1 PJ-90L Die-Cast Joint Assy. Complete**  
**1-A UGN-6C Die-Cast Wing Nut w/Collar**  
**1-B PL-8 Nylon Bushing**  
**1-C SC-392 Clamp Bolt**  
**2 UGB-815 Die-Cast Wing Bolt**  
**3 R-20N Rubber Tip (one each)**  
**4 STB-28A Stop Lock Complete**  
**4-A KB-615 Key Bolt**

## D-80/75



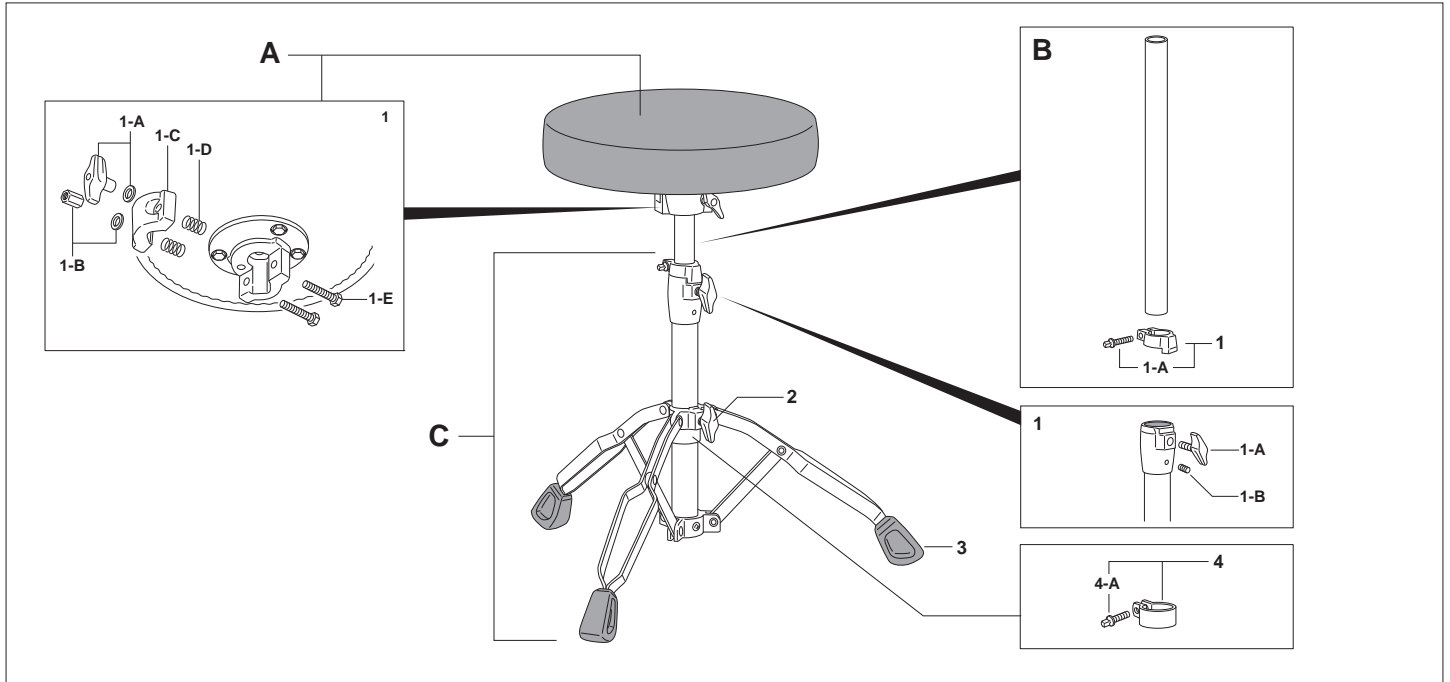
- A NP-274 Padded Bike Style Seat (D-80)**  
**NP-88N Padded Vinyl Seat (D-75)**  
**1 RBA-90 Rod Bracket Assy. Complete**  
**1-A UGN-8 Die-Cast Wing Nut w/Washer**  
**1-B M-8SW Hexagonal Nut w/Washer**  
**1-C DC-645 Die-Cast Clamp**  
**1-D SP-45 Spring (one each)**  
**1-E SC-133 Clamp Bolt (one each)**  
**2 NP-279 Bracket Spacer (D-80)**

- B PP-94A Height Adjustment Rod Assy. Complete**  
**1 DC-551A Stop Lock Complete**  
**1-A KB-625 Key Bolt**

- C D-75AN Base Assy. Complete**  
**1 DC-550A Die-Cast Joint Assy. Complete**  
**1-A UGN-8 Die-Cast Wing Nut w/Washer**  
**1-B ME-661 Spacer**  
**1-C SB-44 Allen Screw**  
**2 UGB-815 Die-Cast Wing Bolt**  
**3 R-20N Rubber Tip (one each)**  
**4 SX-7 Stop Lock Complete**  
**4-A KB-615 Key Bolt**

# DRUM THRONES

## D-70W



- A NP-609 Padded Vinyl Seat**  
**1 RBA-90 Rod Bracket Assy. Complete**  
**1-A UGN-8 Die-Cast Wing Nut w/Washer**  
**1-B M-8SW Hexagonal Nut w/Washer**  
**1-C DC-645 Die-Cast Clamp**  
**1-D SP-45 Spring (one each)**  
**1-E SC-133 Clamp Bolt (one each)**

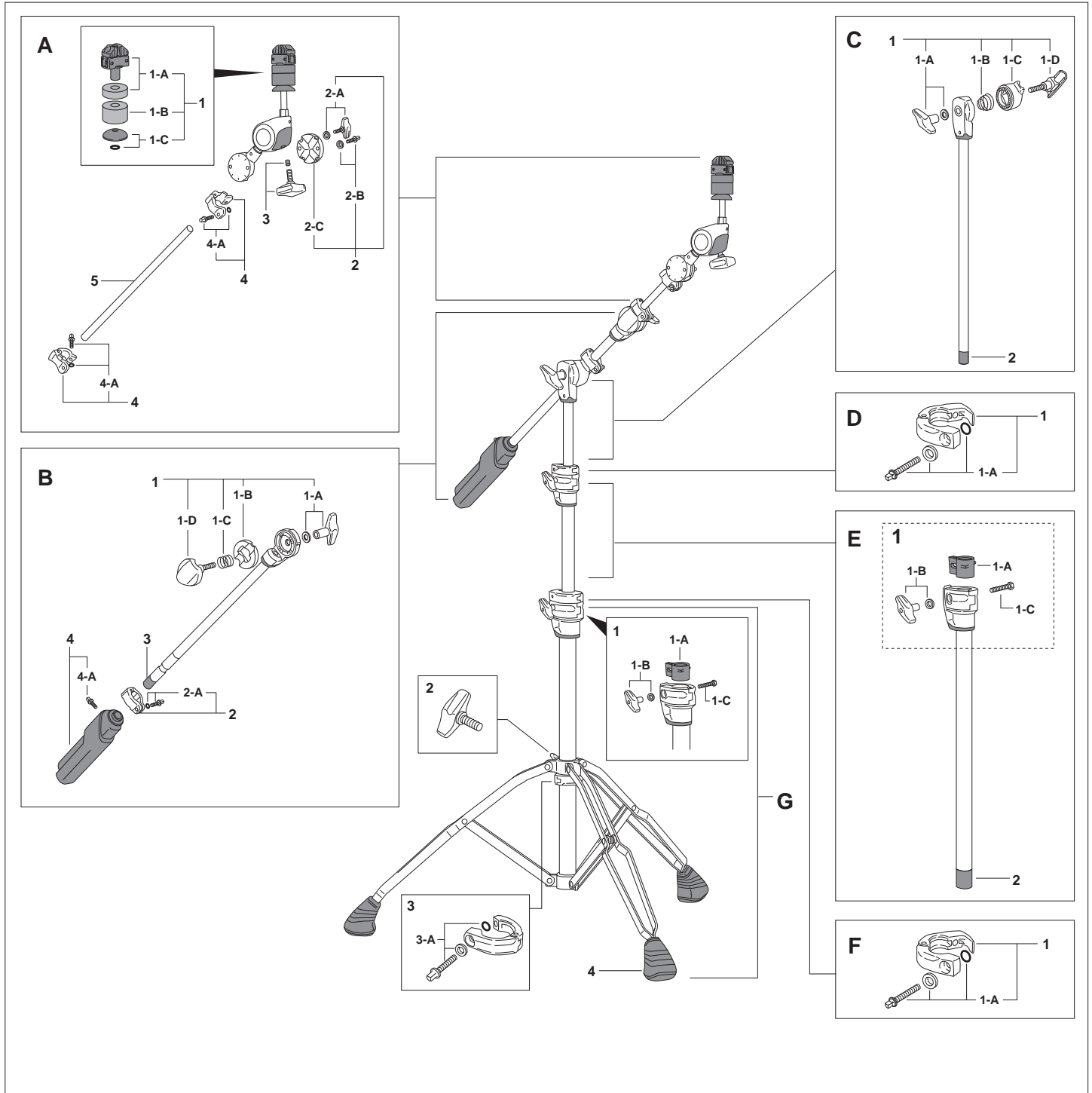
- B PP-610A Height Adjustment Rod Assy. Complete**  
**1 SX-07 Stop Lock Complete**  
**1-A KB-625 Key Bolt**

- C PP-609A Base Assy. Complete**  
**1 DJ-08A Die-Cast Joint Assy. Complete**  
**1-A UGB-815 Die-Cast Wing Bolt**  
**1-B SB-44 Allen Screw**  
**2 UGB-815 Die-Cast Wing Bolt**  
**3 NP-604 Rubber Tip (one each)**  
**4 SX-7 Stop Lock Complete**  
**4-A KB-615 Key Bolt**



# CYMBAL BOOM STANDS

## BC-2000



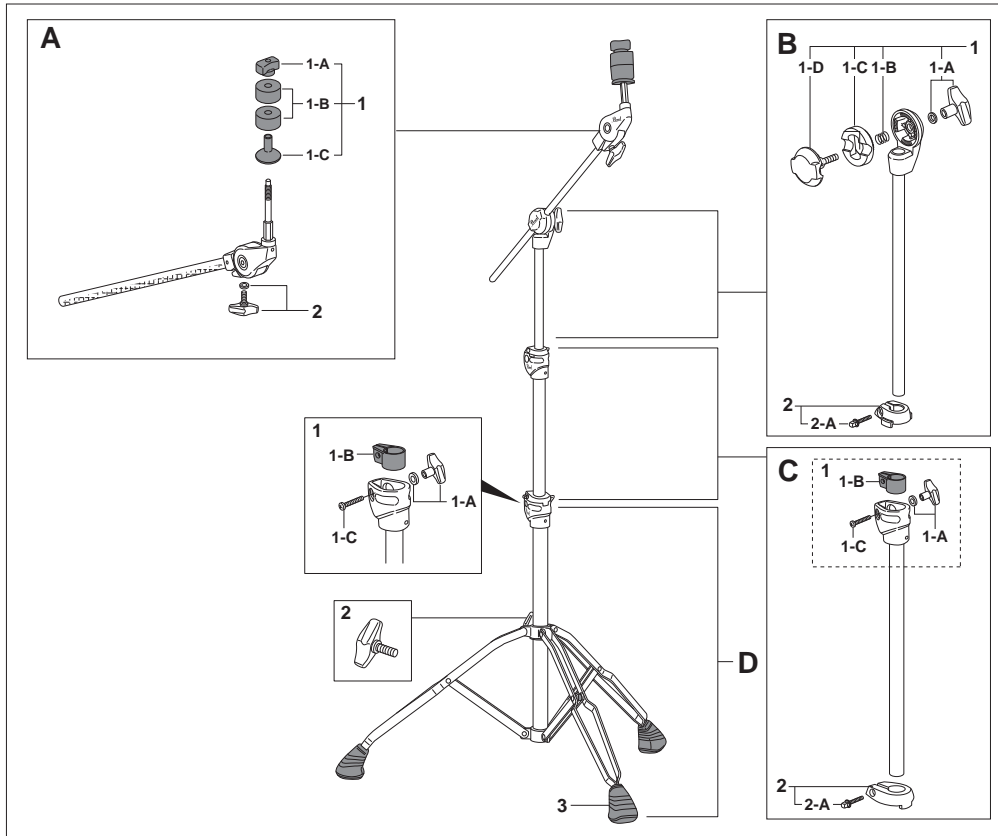
- A B-200A Upper Boom Assy. Complete**
- 1 WL-200A WingLoc Assy. Complete
  - 1-A WL-200 WingLoc Quick Release Wing Nut w/Felt
  - 1-B FL-90 Felt Washer
  - 1-C RC-20 Reversible Seat Cup w/O-Ring
  - 2 DC-634AN Clamp Assy. Complete
  - 2-A UGB-620 Die-Cast Wing Bolt w/Washer
  - 2-B KB-620W Key Bolt w/Washer
  - 2-C DC-634N Clamp Plate
  - 3 UGB-815P Die-Cast Wing Bolt w/Pin
  - 4 DC-627AN Stop Lock Complete
  - 4-A KB-615WO Key Bolt w/O-Ring
  - 5 ME-651 Knurled Boom Arm
- B B-200B Lower Boom Assy. Complete**
- 1 BC-200AN Boom Clamp Assy. Complete
  - 1-A UGN-8 Die-Cast Wing Nut w/Washer
  - 1-B DC-630N Clamp Gear Link
  - 1-C SP-032 Spring
  - 1-D DC-595A Boom Clamp Bolt
  - 2 DC-625A Stop Lock Complete
  - 2-A KB-615WO Key Bolt w/O-Ring
  - 3 NP-430 Rubber Tip
  - 4 NP-373A Boom Arm Counterweight w/Key Bolt
  - 4-A KB-615 Key Bolt

- C TU-100A Upper Tube Assy. Complete**
- 1 BC-100A Boom Clamp Assy. Complete
  - 1-A UGN-8L Die-Cast Wing Nut w/Washer
  - 1-B SP-27N Spring
  - 1-C DC-594 Clamp Gear Link
  - 1-D DC-596A Boom Clamp Bolt
  - 2 NP-375 Plastic Tip
- D DC-578A Stop Lock Complete**
- 1 KB-625WO Key Bolt w/Washer & O-Ring
- E CP-100A Center Tube Assy. Complete**
- 1 DJ-500 Die-Cast Joint Assy. Complete
  - 1-A NP-367 Nylon Bushing
  - 1-B UGN-6 Die-Cast Wing Nut w/Washer
  - 1-C SC-169 Clamp Bolt
  - 2 NP-376 Plastic Tip
- F DC-576A Stop Lock Complete**
- 1 KB-625WO Key Bolt w/Washer & O-Ring

- G BA-200BW Base Assy. Complete**
- 1 DJ-700 Die-Cast Joint Assy. Complete
  - 1-A NP-366 Nylon Bushing
  - 1-B UGN-6 Die-Cast Wing Nut w/Washer
  - 1-C SC-169 Clamp Bolt
  - 2 UGB-815 Die-Cast Wing Bolt
  - 3 DC-582A Stop Lock Complete
  - 3-A KB-625WO Key Bolt w/Washer & O-Ring
  - 4 R-22N Rubber Tip (one each)

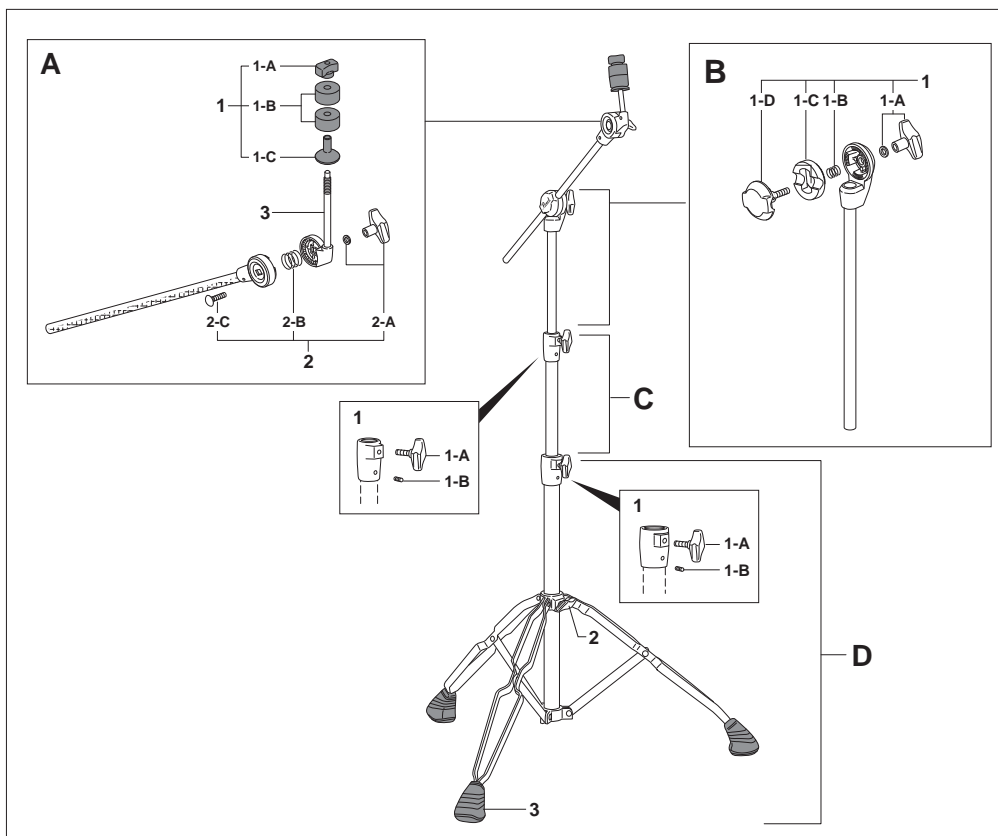
# CYMBAL BOOM STANDS

## BC-900



<b>A</b>	<b>AA-BC90</b>	<b>Boom Assy. Complete</b>
1	PL-10A	Upper Tilter Section Complete
1-A	PL-10	Plastic Cymbal Nut
1-B	FL-90	Felt Washer (one each)
1-C	PL-11	Cymbal Seat Cup
2	UGB-830	Die-Cast Wing Bolt w/Washer
<b>B</b>	<b>UT-BC90</b>	<b>Upper Tube Assy. Complete</b>
1	BC-BC90	Boom Clamp Assy. Complete
1-A	UGN-8	Die-Cast Wing Nut w/Washer
1-B	SP-32	Spring
1-C	ZD-18	Clamp Gear Link
1-D	ZD-19A	Boom Clamp Bolt
2	ZD-75A	Stop Lock Complete
2-A	KB-620	Key Bolt
<b>C</b>	<b>CT-90</b>	<b>Center Tube Assy. Complete</b>
1	PJ-90S	Die-Cast Joint Assy. Complete
1-A	UGN-6C	Die-Cast Wing Nut w/Collar
1-B	PL-9	Nylon Bushing
1-C	SC-392	Clamp Bolt
2	ZD-24A	Stop Lock Complete
2-A	KB-625	Key Bolt
<b>D</b>	<b>BA-90</b>	<b>Base Assy. Complete</b>
1	PJ-90L	Die-Cast Joint Assy. Complete
1-A	UGN-6C	Die-Cast Wing Nut w/Collar
1-B	PL-8	Nylon Bushing
1-C	SC-392	Clamp Bolt
2	UGB-815	Die-Cast Wing Bolt
3	RB-8	Rubber Tip (one each)

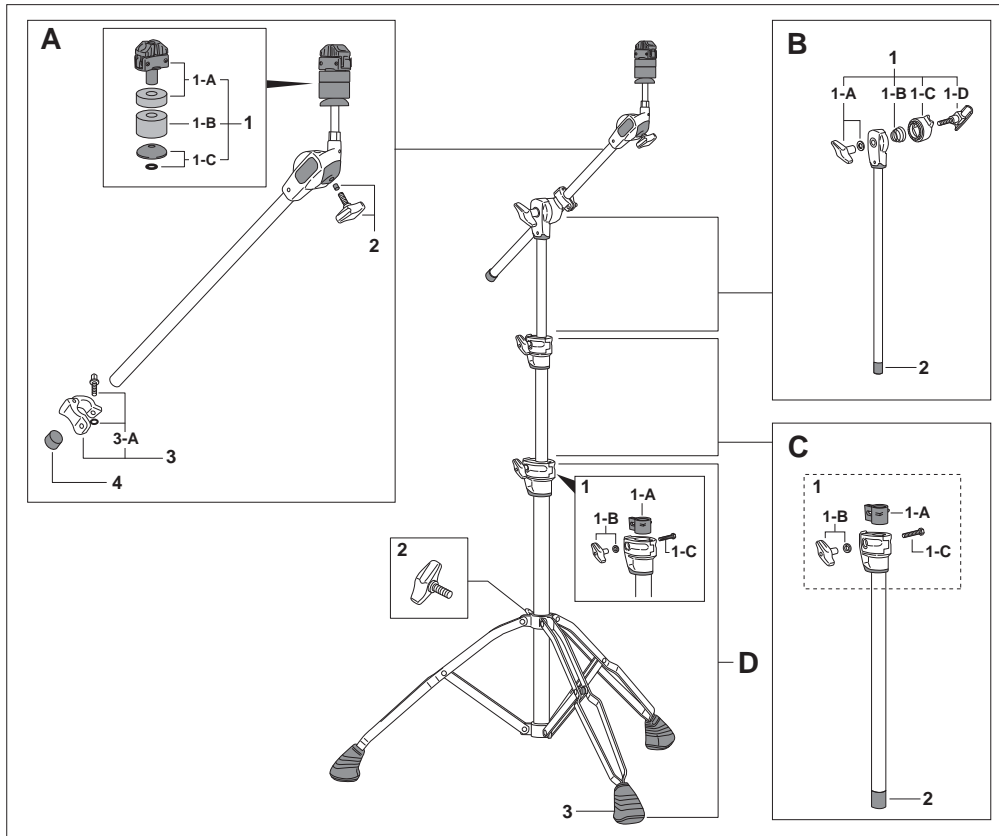
## BC-890



<b>A</b>	<b>AA-BC89</b>	<b>Boom Assy. Complete</b>
1	PL-10A	Upper Tilter Section Complete
1-A	PL-10	Plastic Cymbal Nut
1-B	FL-90	Felt Washer (one each)
1-C	PL-11	Cymbal Seat Cup
2	SN-800A	Bolt & Nut Set w/Spring
2-A	UGN-8	Die-Cast Wing Nut w/Washer
2-B	SP-32	Spring
2-C	SC-36B	Clamp Bolt
3	SN-890	Tilter Unit
<b>B</b>	<b>UT-BC89</b>	<b>Upper Tube Assy. Complete</b>
1	BC-B90	Boom Clamp Assy. Complete
1-A	UGN-8	Die-Cast Wing Nut w/Washer
1-B	SP-32	Spring
1-C	ZD-18	Clamp Gear Link
1-D	ZD-19A	Boom Clamp Bolt
<b>C</b>	<b>CT-89</b>	<b>Center Tube Assy. Complete</b>
1	DJ-55A	Die-Cast Joint Assy. Complete
1-A	UGB-815	Die-Cast Wing Bolt
1-B	SB-44	Allen Screw
<b>D</b>	<b>BA-89</b>	<b>Base Assy. Complete</b>
1	DJ-75A	Die-Cast Joint Assy. Complete
1-A	UGB-815	Die-Cast Wing Bolt
1-B	SB-44	Allen Screw
2	UGB-815	Die-Cast Wing Bolt
3	RB-8	Rubber Tip (one each)

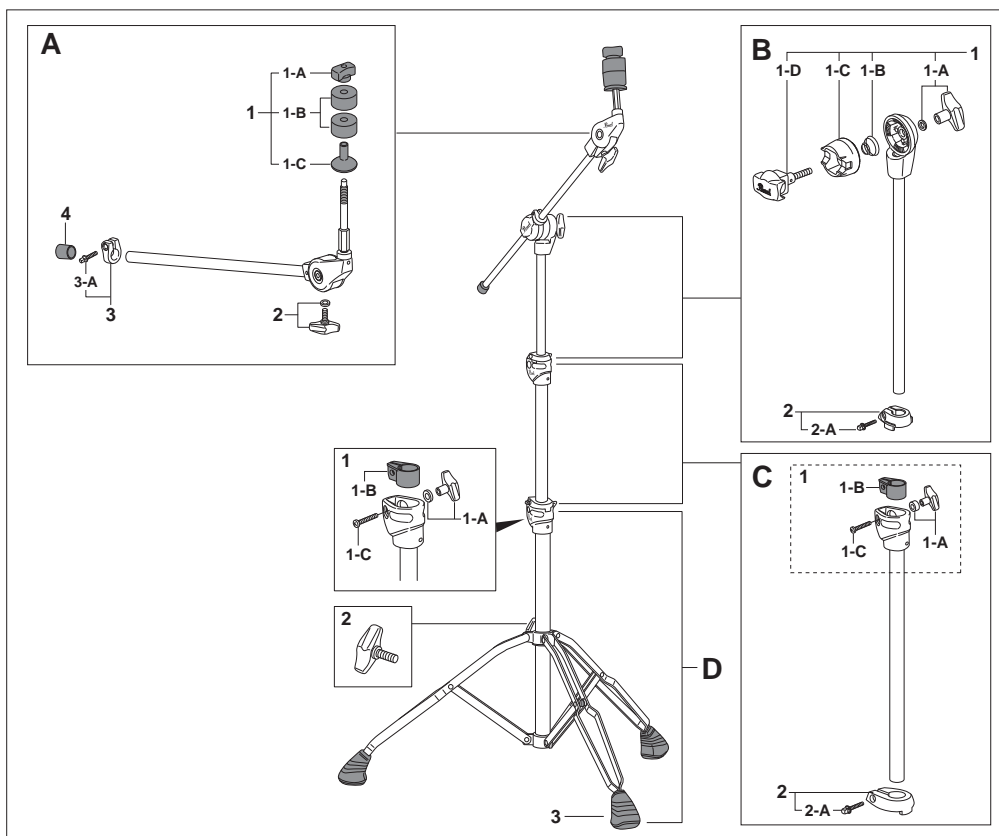
# CYMBAL BOOM STANDS

## B-1000



- |          |                 |                                       |
|----------|-----------------|---------------------------------------|
| <b>A</b> | <b>B-100A</b>   | <b>Boom Assy. Complete</b>            |
| 1        | WL-200A         | WingLoc Assy. Complete                |
| 1-A      | WL-200          | WingLoc Quick Release Wing Nut w/Felt |
| 1-B      | FL-90           | Felt Washer                           |
| 1-C      | RC-20           | Reversible Seat Cup w/O-Ring          |
| 2        | UGB-815P        | Die-Cast Wing Bolt w/Pin              |
| 3        | DC-625A         | Stop Lock Complete                    |
| 3-A      | KB-615WO        | Key Bolt w/O-Ring                     |
| 4        | NP-71           | Plastic Tip                           |
| <b>B</b> | <b>TU-100A</b>  | <b>Upper Tube Assy. Complete</b>      |
| 1        | BC-100A         | Boom Clamp Assy. Complete             |
| 1-A      | UGN-8L          | Die-Cast Wing Nut w/Washer            |
| 1-B      | SP-27N          | Spring                                |
| 1-C      | DC-594          | Clamp Gear Link                       |
| 1-D      | DC-596A         | Boom Clamp Bolt                       |
| 2        | NP-375          | Plastic Tip                           |
| <b>C</b> | <b>CP-100A</b>  | <b>Center Tube Assy. Complete</b>     |
| 1        | DJ-500          | Die-Cast Joint Assy. Complete         |
| 1-A      | NP-367          | Nylon Bushing                         |
| 1-B      | UGN-6           | Die-Cast Wing Nut w/Washer            |
| 1-C      | SC-169          | Clamp Bolt                            |
| 2        | NP-376          | Plastic Tip                           |
| <b>D</b> | <b>BA-100BW</b> | <b>Base Assy. Complete</b>            |
| 1        | DJ-700          | Die-Cast Joint Assy. Complete         |
| 1-A      | NP-366          | Nylon Bushing                         |
| 1-B      | UGN-6           | Die-Cast Wing Nut w/Washer            |
| 1-C      | SC-169          | Clamp Bolt                            |
| 2        | UGB-815         | Die-Cast Wing Bolt                    |
| 3        | R-22N           | Rubber Tip (one each)                 |

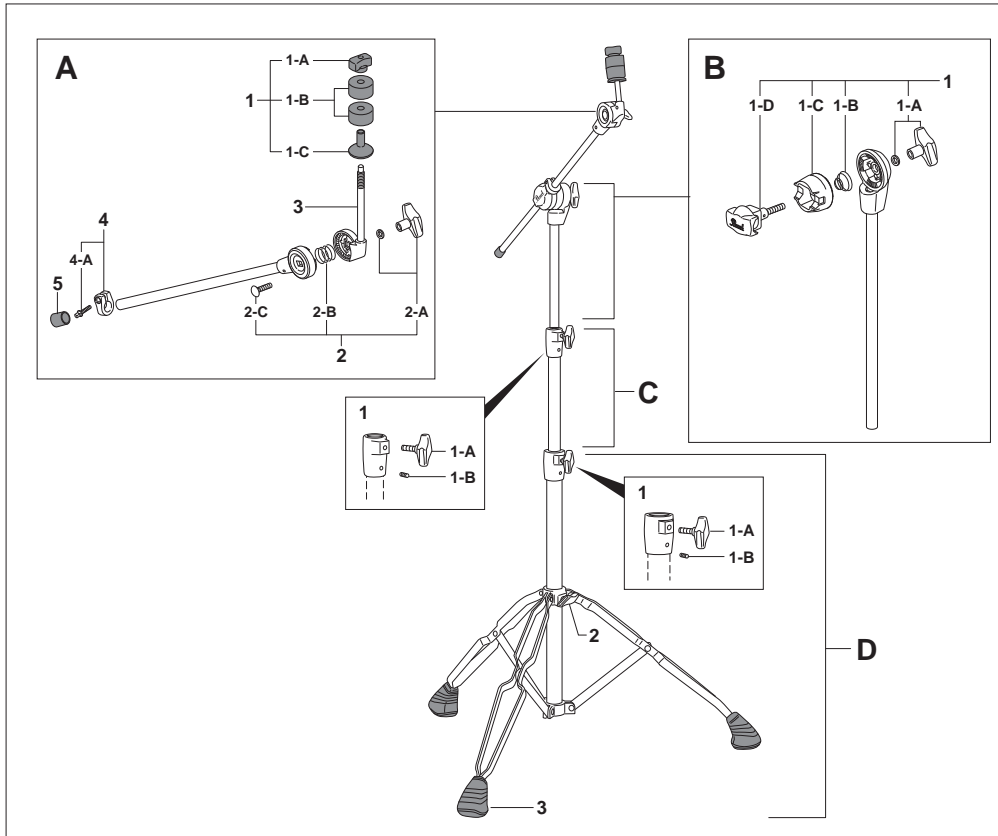
## B-900



- |          |               |                                   |
|----------|---------------|-----------------------------------|
| <b>A</b> | <b>AA-B90</b> | <b>Boom Assy. Complete</b>        |
| 1        | PL-10A        | Upper Tilter Section Complete     |
| 1-A      | PL-10         | Plastic Cymbal Nut                |
| 1-B      | FL-90         | Felt Washer (one each)            |
| 1-C      | PL-11         | Cymbal Seat Cup                   |
| 2        | UGB-830       | Die-Cast Wing Bolt w/Washer       |
| 3        | ZD-16A        | Stop Lock Complete                |
| 3-A      | KB-620        | Key Bolt                          |
| 4        | NP-71         | Plastic Tip                       |
| <b>B</b> | <b>UT-B90</b> | <b>Upper Tube Assy. Complete</b>  |
| 1        | BC-B90        | Boom Clamp Assy. Complete         |
| 1-A      | UGN-8         | Die-Cast Wing Nut w/Washer        |
| 1-B      | SP-27         | Spring                            |
| 1-C      | ZD-14         | Clamp Gear Link                   |
| 1-D      | ZD-15A        | Boom Clamp Bolt                   |
| 2        | ZD-75A        | Stop Lock Complete                |
| 2-A      | KB-620        | Key Bolt                          |
| <b>C</b> | <b>CT-90</b>  | <b>Center Tube Assy. Complete</b> |
| 1        | PJ-90S        | Die-Cast Joint Assy. Complete     |
| 1-A      | UGN-6C        | Die-Cast Wing Nut w/Collar        |
| 1-B      | PL-9          | Nylon Bushing                     |
| 1-C      | SC-392        | Clamp Bolt                        |
| 2        | ZD-24A        | Stop Lock Complete                |
| 2-A      | KB-625        | Key Bolt                          |
| <b>D</b> | <b>BA-90</b>  | <b>Base Assy. Complete</b>        |
| 1        | PJ-90L        | Die-Cast Joint Assy. Complete     |
| 1-A      | UGN-6C        | Die-Cast Wing Nut w/Collar        |
| 1-B      | PL-8          | Nylon Bushing                     |
| 1-C      | SC-392        | Clamp Bolt                        |
| 2        | UGB-815       | Die-Cast Wing Bolt                |
| 3        | RB-8          | Rubber Tip (one each)             |

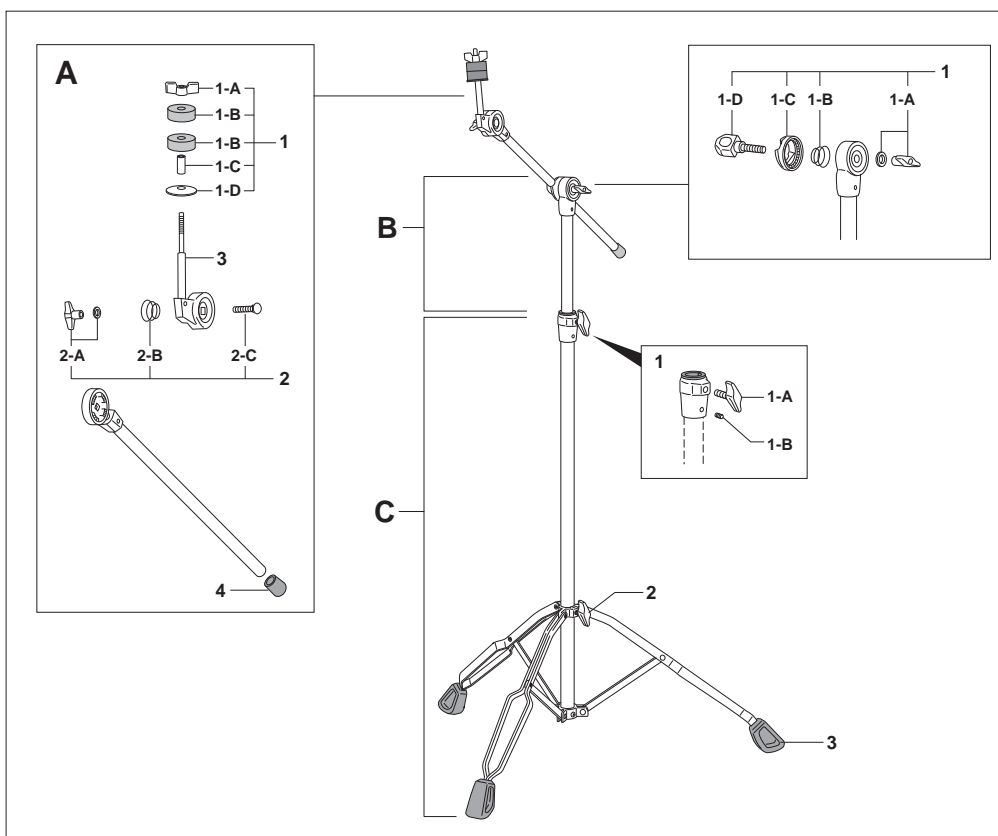
# CYMBAL BOOM STANDS

## B-890



<b>A</b>	<b>AA-B89</b>	<b>Boom Assy. Complete</b>
1	PL-10A	Upper Tilter Section Complete
1-A	PL-10	Plastic Cymbal Nut
1-B	FL-90	Felt Washer (one each)
1-C	PL-11	Cymbal Seat Cup
2	SN-800A	Bolt & Nut Set w/Spring
2-A	UGN-8	Die-Cast Wing Nut w/Washer
2-B	SP-32	Spring
2-C	SC-36B	Clamp Bolt
3	SN-890	Tilter Unit
4	ZD-16A	Stop Lock Complete
4-A	KB-620	Key Bolt
5	NP-71	Plastic Tip
<b>B</b>	<b>UT-B89</b>	<b>Upper Tube Assy. Complete</b>
1	BC-B90	Boom Clamp Assy. Complete
1-A	UGN-8	Die-Cast Wing Nut w/Washer
1-B	SP-27	Spring
1-C	ZD-14	Clamp Gear Link
1-D	ZD-15A	Boom Clamp Bolt
<b>C</b>	<b>CT-89</b>	<b>Center Tube Assy. Complete</b>
1	DJ-55A	Die-Cast Joint Assy. Complete
1-A	UGB-815	Die-Cast Wing Bolt
1-B	SB-44	Allen Screw
<b>D</b>	<b>BA-89</b>	<b>Base Assy. Complete</b>
1	DJ-75A	Die-Cast Joint Assy. Complete
1-A	UGB-815	Die-Cast Wing Bolt
1-B	SB-44	Allen Screw
2	UGB-815	Die-Cast Wing Bolt
3	RB-8	Rubber Tip (one each)

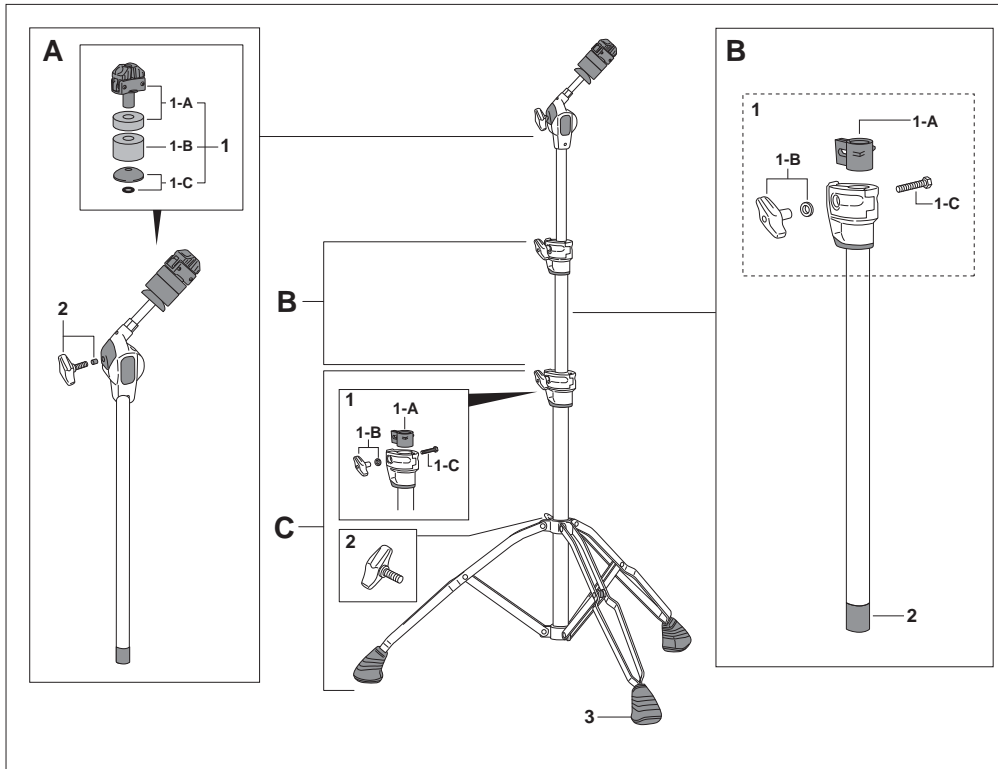
## B-70W



<b>A</b>	<b>PP-605A</b>	<b>Boom Assy. Complete</b>
1	FL-80AN	Upper Tilter Section Complete
1-A	M-8W	Die-Cast Wing Nut
1-B	FE-32	Felt Washer (one each)
1-C	NP-70	Plastic Sleeve
1-D	PR-135	Cup Washer
2	SN-800A	Bolt & Nut Set w/Spring
2-A	UGN-8	Die-Cast Wing Nut w/Washer
2-B	SP-27N	Spring
2-C	SC-36B	Clamp Bolt
3	SN-800N	Tilter Unit
4	NP-71	Plastic Tip
<b>B</b>	<b>PP-604A</b>	<b>Upper Tube Assy. Complete</b>
1	BC-07A	Boom Clamp Assy. Complete
1-A	UGN-8	Die-Cast Wing Nut w/Washer
1-B	SP-27N	Spring
1-C	DC-606A	Clamp Gear Link
1-D	DC-607A	Boom Clamp Bolt
<b>C</b>	<b>PP-603A</b>	<b>Base Assy. Complete</b>
1	DJ-07A	Die-Cast Joint Assy. Complete
1-A	UGB-815A	Die-Cast Wing Bolt
1-B	SB-44	Allen Screw
2	UGB-820	Die-Cast Wing Bolt
3	NP-604	Rubber Tip (one each)

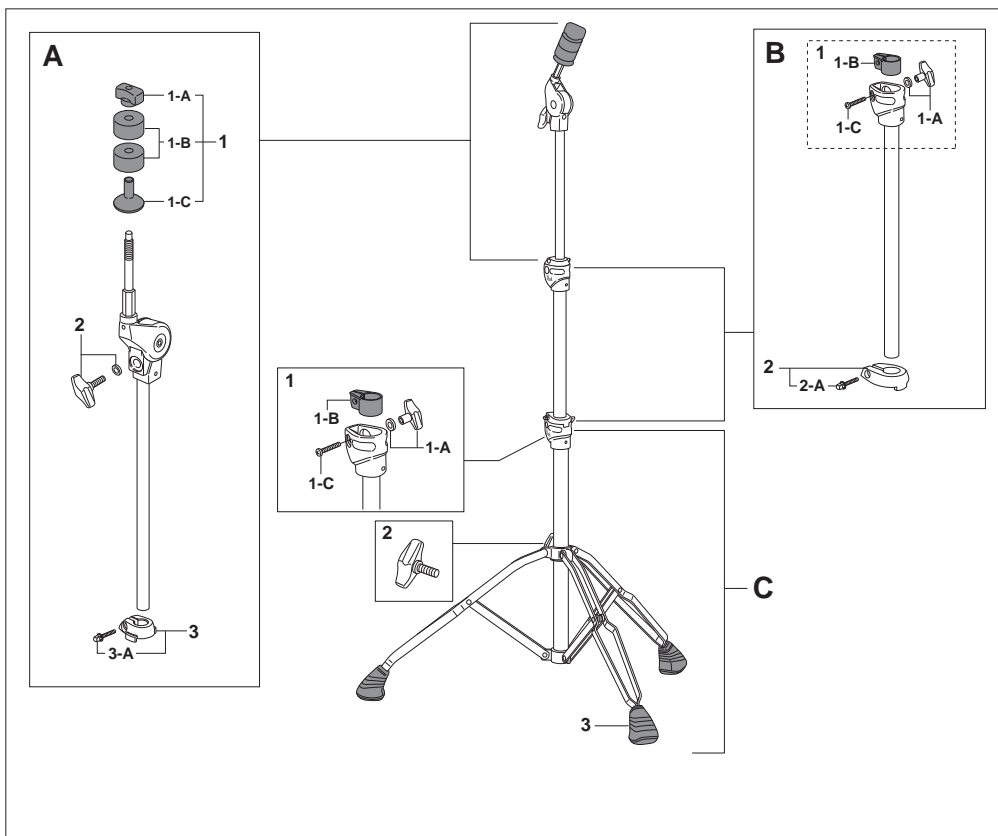
# CYMBAL STANDS

## C-1000



<b>A</b>	<b>C-100A</b>	<b>Upper Tube Assy. Complete</b>
1	WL-200A	WingLoc Assy. Complete
1-A	WL-200	WingLoc Quick Release Wing Nut w/Felt
1-B	FL-90	Felt Washer
1-C	RC-20	Reversible Seat Cup w/O-Ring
2	UGB-815P	Die-Cast Wing Bolt w/Pin
<b>B</b>	<b>CP-100A</b>	<b>Center Tube Assy. Complete</b>
1	DJ-500	Die-Cast Joint Assy. Complete
1-A	NP-367	Nylon Bushing
1-B	UGN-6	Die-Cast Wing Nut w/Washer
1-C	SC-169	Clamp Bolt
2	NP-376	Plastic Tip
<b>C</b>	<b>BA-100BW</b>	<b>Base Assy. Complete</b>
1	DJ-700	Die-Cast Joint Assy. Complete
1-A	NP-366	Nylon Bushing
1-B	UGN-6	Die-Cast Wing Nut w/Washer
1-C	SC-169	Clamp Bolt
2	UGB-815	Die-Cast Wing Bolt
3	R-22N	Rubber Tip (one each)

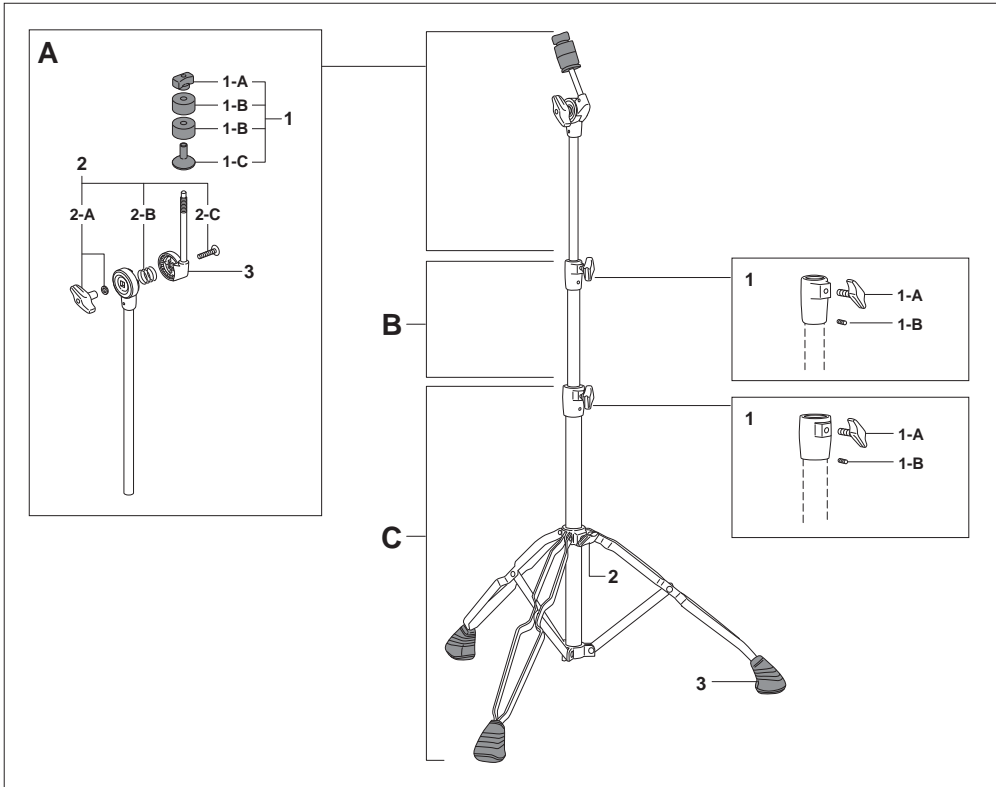
## C-900



<b>A</b>	<b>UT-C90</b>	<b>Upper Tube Assy. Complete</b>
1	PL-10A	Upper Tilter Section Complete
1-A	PL-10	Plastic Cymbal Nut
1-B	FL-90	Felt Washer (one each)
1-C	PL-11	Cymbal Seat Cup
2	UGB-830	Die-Cast Wing Bolt w/Washer
3	ZD-75A	Stop Lock Complete
3-A	KB-620	Key Bolt
<b>B</b>	<b>CT-90</b>	<b>Center Tube Assy. Complete</b>
1	PJ-90S	Die-Cast Joint Assy. Complete
1-A	UGN-6C	Die-Cast Wing Nut w/Collar
1-B	PL-9	Nylon Bushing
1-C	SC-392	Clamp Bolt
2	ZD-24A	Stop Lock Complete
2-A	KB-625	Key Bolt
<b>C</b>	<b>BA-90</b>	<b>Base Assy. Complete</b>
1	PJ-90L	Die-Cast Joint Assy. Complete
1-A	UGN-6C	Die-Cast Wing Nut w/Collar
1-B	PL-8	Nylon Bushing
1-C	SC-392	Clamp Bolt
2	UGB-815	Die-Cast Wing Bolt
3	RB-8	Rubber Tip (one each)

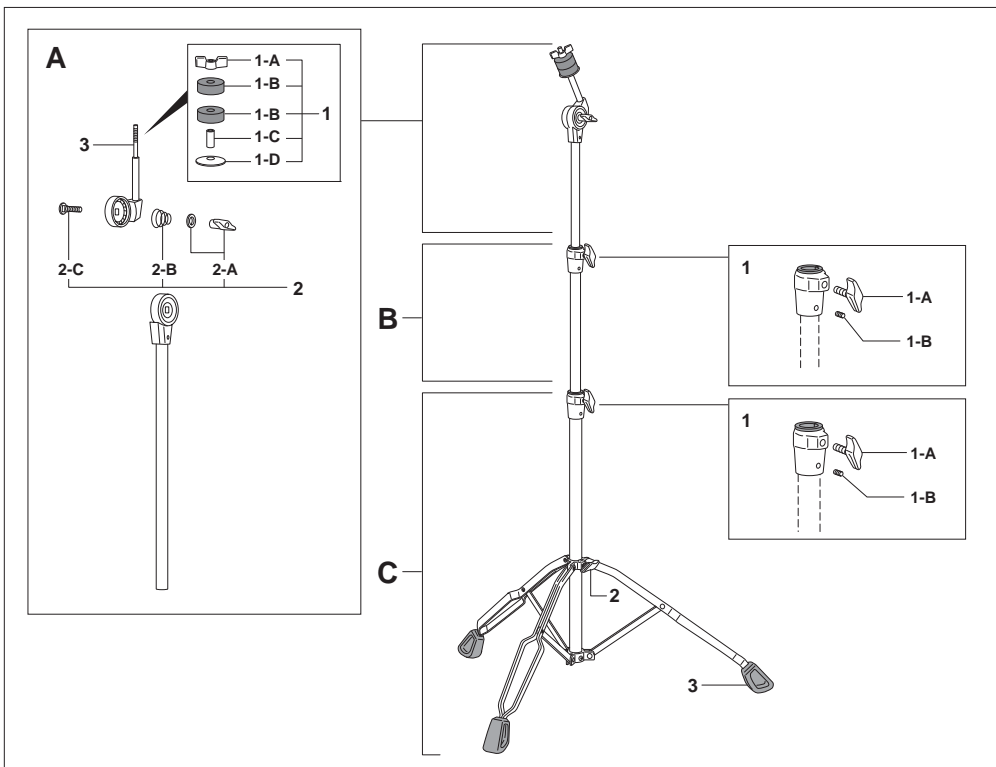
# CYMBAL STANDS

## C-890



- |          |               |                                   |
|----------|---------------|-----------------------------------|
| <b>A</b> | <b>UT-C89</b> | <b>Upper Tube Assy. Complete</b>  |
| 1        | PL-10A        | Upper Tilter Section Complete     |
| 1-A      | PL-10         | Plastic Cymbal Nut                |
| 1-B      | FL-90         | Felt Washer (one each)            |
| 1-C      | PL-11         | Cymbal Seat Cup                   |
| 2        | SN-800A       | Bolt & Nut Set w/Spring           |
| 2-A      | UGN-8         | Die-Cast Wing Nut w/Washer        |
| 2-B      | SP-32         | Spring                            |
| 2-C      | SC-36B        | Clamp Bolt                        |
| 3        | SN-890        | Tilter Unit                       |
| <b>B</b> | <b>CT-89</b>  | <b>Center Tube Assy. Complete</b> |
| 1        | DJ-55A        | Die-Cast Joint Assy. Complete     |
| 1-A      | UGB-815       | Die-Cast Wing Bolt                |
| 1-B      | SB-44         | Allen Screw                       |
| <b>C</b> | <b>BA-89</b>  | <b>Base Assy. Complete</b>        |
| 1        | DJ-75A        | Die-Cast Joint Assy. Complete     |
| 1-A      | UGB-815       | Die-Cast Wing Bolt                |
| 1-B      | SB-44         | Allen Screw                       |
| 2        | UGB-815       | Die-Cast Wing Bolt                |
| 3        | RB-8          | Rubber Tip (one each)             |

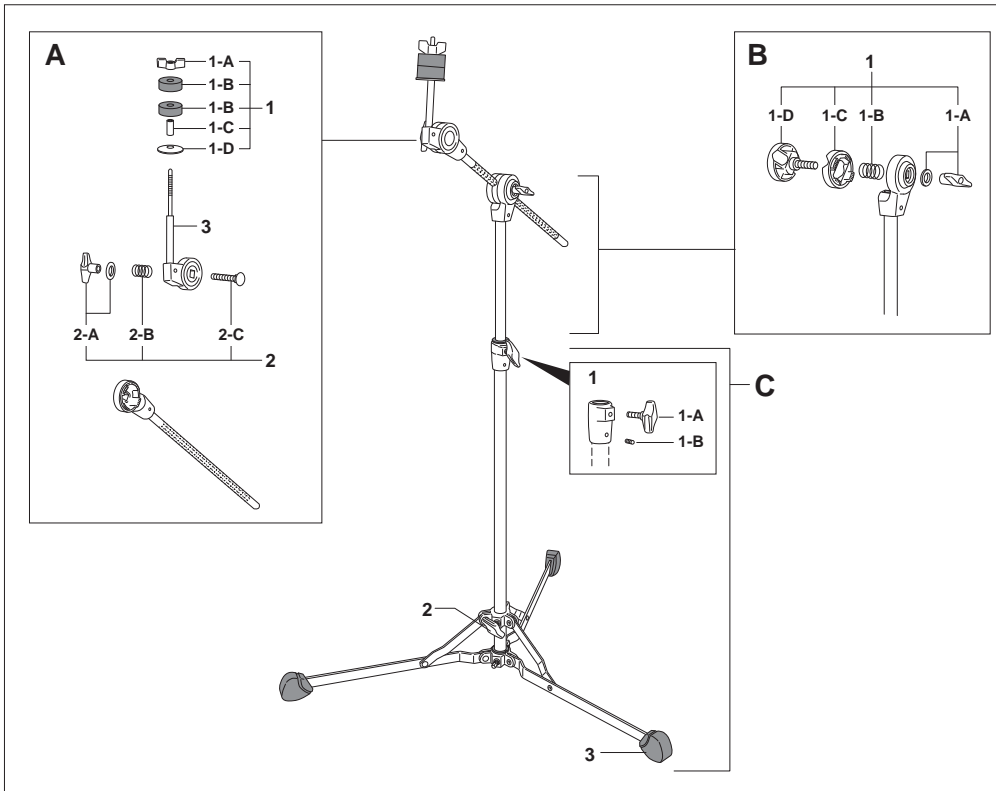
## C-70W



- |          |                |                                   |
|----------|----------------|-----------------------------------|
| <b>A</b> | <b>PP-608A</b> | <b>Upper Tube Assy. Complete</b>  |
| 1        | FL-80AN        | Upper Tilter Section Complete     |
| 1-A      | M-8W           | Die-Cast Wing Nut                 |
| 1-B      | FE-32          | Felt Washer (one each)            |
| 1-C      | NP-70          | Plastic Sleeve                    |
| 1-D      | PR-135         | Cup Washer                        |
| 2        | SN-800A        | Bolt & Nut Set w/Spring           |
| 2-A      | UGN-8          | Die-Cast Wing Nut w/Washer        |
| 2-B      | SP-27N         | Spring                            |
| 2-C      | SC-36B         | Clamp Bolt                        |
| 3        | SN-800N        | Tilter Unit                       |
| <b>B</b> | <b>PP-607A</b> | <b>Center Tube Assy. Complete</b> |
| 1        | DJ-06A         | Die-Cast Joint Assy. Complete     |
| 1-A      | UGB-815A       | Die-Cast Wing Bolt                |
| 1-B      | SB-44          | Allen Screw                       |
| <b>C</b> | <b>PP-606A</b> | <b>Base Assy. Complete</b>        |
| 1        | DJ-07A         | Die-Cast Joint Assy. Complete     |
| 1-A      | UGB-815A       | Die-Cast Wing Bolt                |
| 1-B      | SB-44          | Allen Screw                       |
| 2        | UGB-815A       | Die-Cast Wing Bolt                |
| 3        | NP-604         | Rubber Tip (one each)             |

# FLAT BASE STAND

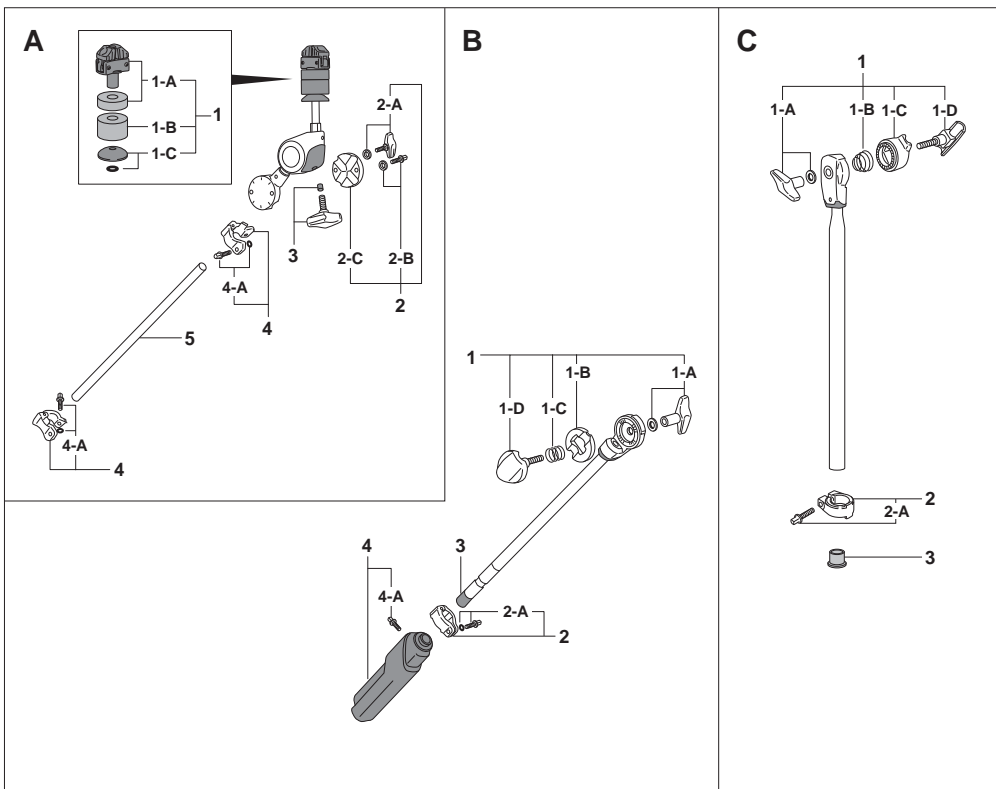
## BC-100S



- |          |                 |                                  |
|----------|-----------------|----------------------------------|
| <b>A</b> | <b>ME-716AC</b> | <b>Boom Assy. Complete</b>       |
| 1        | FL-100AN        | Upper Tilter Section Complete    |
| 1-A      | M-8W            | Die-Cast Wing Nut                |
| 1-B      | FE-18           | Felt Washer (one each)           |
| 1-C      | NP-70           | Plastic Sleeve                   |
| 1-D      | PR-135          | Cup Washer                       |
| 2        | SN-800A         | Bolt & Nut Set w/Spring          |
| 2-A      | UGN-8           | Die-Cast Wing Nut w/Washer       |
| 2-B      | SP-32           | Spring                           |
| 2-C      | SC-36B          | Clamp Bolt                       |
| 3        | SN-800N         | Tilter Unit                      |
| <b>B</b> | <b>TU-80BC</b>  | <b>Upper Tube Assy. Complete</b> |
| 1        | BC-80BC         | Boom Clamp Assy. Complete        |
| 1-A      | UGN-8           | Die-Cast Wing Nut w/Washer       |
| 1-B      | SP-32           | Spring                           |
| 1-C      | DC-530          | Clamp Gear Link                  |
| 1-D      | DC-529A         | Boom Clamp Bolt                  |
| <b>C</b> | <b>BA-100S</b>  | <b>Base Assy. Complete</b>       |
| 1        | DJ-06A          | Die-Cast Joint Assy. Complete    |
| 1-A      | UGB-815         | Die-Cast Wing Bolt               |
| 1-B      | SB-44           | Allen Screw                      |
| 2        | UGB-815         | Die-Cast Wing Bolt               |
| 3        | NP-454          | Rubber Tip (one each)            |

# CYMBAL HOLDERS

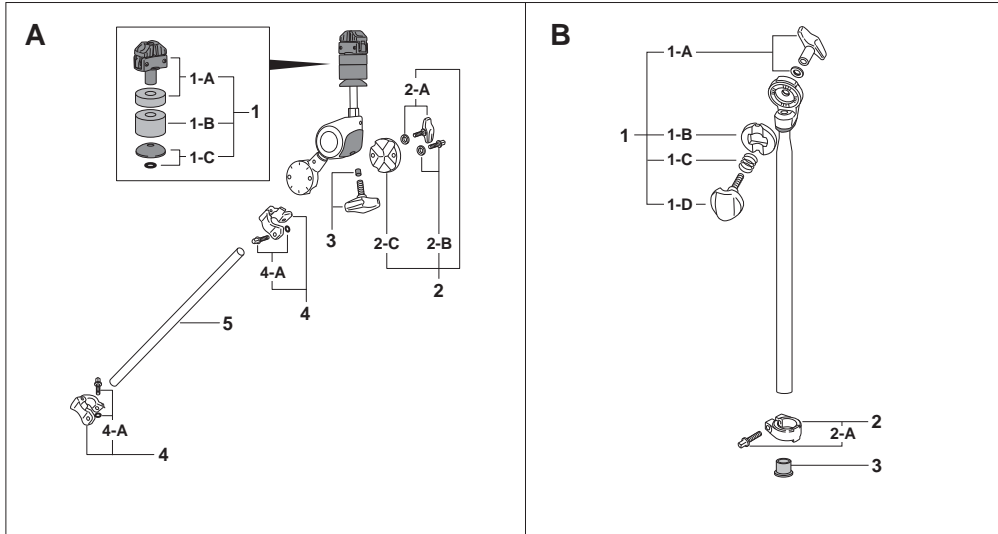
## CH-2000



- |          |                |                                       |
|----------|----------------|---------------------------------------|
| <b>A</b> | <b>B-200A</b>  | <b>Upper Boom Assy. Complete</b>      |
| 1        | WL-200A        | WingLoc Assy. Complete                |
| 1-A      | WL-200         | WingLoc Quick Release Wing Nut w/Felt |
| 1-B      | FL-90          | Felt Washer                           |
| 1-C      | RC-20          | Reversible Seat Cup w/O-Ring          |
| 2        | DC-634AN       | Clamp Assy. Complete                  |
| 2-A      | UGB-620        | Die-Cast Wing Bolt w/Washer           |
| 2-B      | KB-620W        | Key Bolt w/Washer                     |
| 2-C      | DC-634N        | Clamp Plate                           |
| 3        | UGB-815P       | Die-Cast Wing Bolt w/Pin              |
| 4        | DC-627AN       | Stop Lock Complete                    |
| 4-A      | KB-615WO       | Key Bolt w/O-Ring                     |
| 5        | ME-651         | Knurled Boom Arm                      |
| <b>B</b> | <b>B-200B</b>  | <b>Lower Boom Assy. Complete</b>      |
| 1        | BC-200AN       | Boom Clamp Assy. Complete             |
| 1-A      | UGN-8          | Die-Cast Wing Nut w/Washer            |
| 1-B      | DC-630N        | Clamp Gear Link                       |
| 1-C      | SP-032         | Spring                                |
| 1-D      | DC-595A        | Boom Clamp Bolt                       |
| 2        | DC-625A        | Stop Lock Complete                    |
| 2-A      | KB-615WO       | Key Bolt w/O-Ring                     |
| 3        | NP-430         | Rubber Tip                            |
| 4        | NP-373A        | Boom Arm Counterweight w/Key Bolt     |
| 4-A      | KB-615         | Key Bolt                              |
| <b>C</b> | <b>TU-200A</b> | <b>Tube Assy. Complete</b>            |
| 1        | BC-100A        | Boom Clamp Assy. Complete             |
| 1-A      | UGN-8L         | Die-Cast Wing Nut w/Washer            |
| 1-B      | SP-27N         | Spring                                |
| 1-C      | DC-594         | Clamp Gear Link                       |
| 1-D      | DC-596A        | Boom Clamp Bolt                       |
| 2        | SX-2N          | Stop Lock Complete                    |
| 2-A      | KB-625         | Key Bolt                              |
| 3        | NP-164         | Plastic End Cap                       |

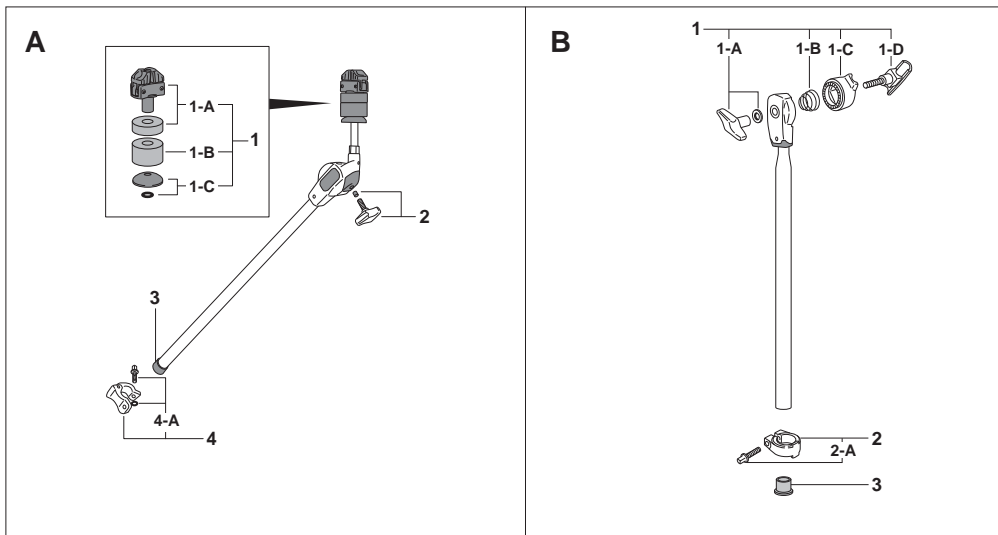
# CYMBAL HOLDERS

## CH-2000S



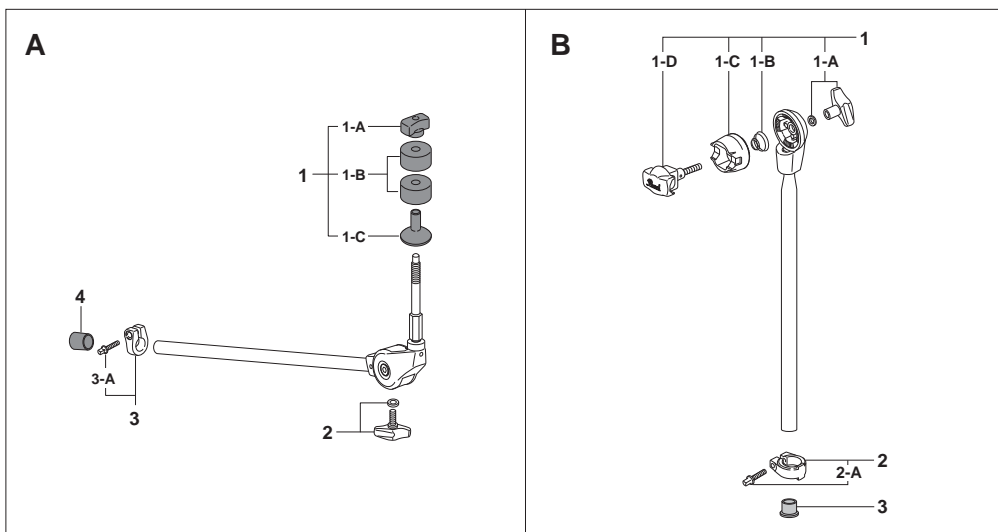
- |          |                |                                       |
|----------|----------------|---------------------------------------|
| <b>A</b> | <b>B-200A</b>  | <b>Upper Boom Assy. Complete</b>      |
| 1        | WL-200A        | WingLoc Assy. Complete                |
| 1-A      | WL-200         | WingLoc Quick Release Wing Nut w/Felt |
| 1-B      | FL-90          | Felt Washer                           |
| 1-C      | RC-20          | Reversible Seat Cup w/O-Ring          |
| 2        | DC-634AN       | Clamp Assy. Complete                  |
| 2-A      | UGB-620        | Die-Cast Wing Bolt w/Washer           |
| 2-B      | KB-620W        | Key Bolt w/Washer                     |
| 2-C      | DC-634N        | Clamp Plate                           |
| 3        | UGB-815P       | Die-Cast Wing Bolt w/Pin              |
| 4        | DC-627AN       | Stop Lock Complete                    |
| 4-A      | KB-615WO       | Key Bolt w/O-Ring                     |
| 5        | ME-651         | Knurled Boom Arm                      |
| <b>B</b> | <b>B-200BS</b> | <b>Tube Assy. Complete</b>            |
| 1        | BC-200A        | Boom Clamp Assy. Complete             |
| 1-A      | UGN-8L         | Die-Cast Wing Nut w/Washer            |
| 1-B      | DC-630N        | Clamp Gear Link                       |
| 1-C      | SP-032         | Spring                                |
| 1-D      | DC-595A        | Boom Clamp Bolt                       |
| 2        | SX-2N          | Stop Lock Complete                    |
| 2-A      | KB-625         | Key Bolt                              |
| 3        | NP-164         | Plastic End Cap                       |

## CH-1000



- |          |                |                                       |
|----------|----------------|---------------------------------------|
| <b>A</b> | <b>B-100A</b>  | <b>Boom Assy. Complete</b>            |
| 1        | WL-200A        | WingLoc Assy. Complete                |
| 1-A      | WL-200         | WingLoc Quick Release Wing Nut w/Felt |
| 1-B      | FL-90          | Felt Washer                           |
| 1-C      | RC-20          | Reversible Seat Cup w/O-Ring          |
| 2        | UGB-815P       | Die-Cast Wing Bolt w/Pin              |
| 3        | NP-71          | Plastic Tip                           |
| 4        | DC-625A        | Stop Lock Complete                    |
| 4-A      | KB-615WO       | Key Bolt w/O-Ring                     |
| <b>B</b> | <b>TU-200A</b> | <b>Tube Assy. Complete</b>            |
| 1        | BC-100A        | Boom Clamp Assy. Complete             |
| 1-A      | UGN-8L         | Die-Cast Wing Nut w/Washer            |
| 1-B      | SP-27N         | Spring                                |
| 1-C      | DC-594         | Clamp Gear Link                       |
| 1-D      | DC-596A        | Boom Clamp Bolt                       |
| 2        | SX-2N          | Stop Lock Complete                    |
| 2-A      | KB-625         | Key Bolt                              |
| 3        | NP-164         | Plastic End Cap                       |

## CH-900

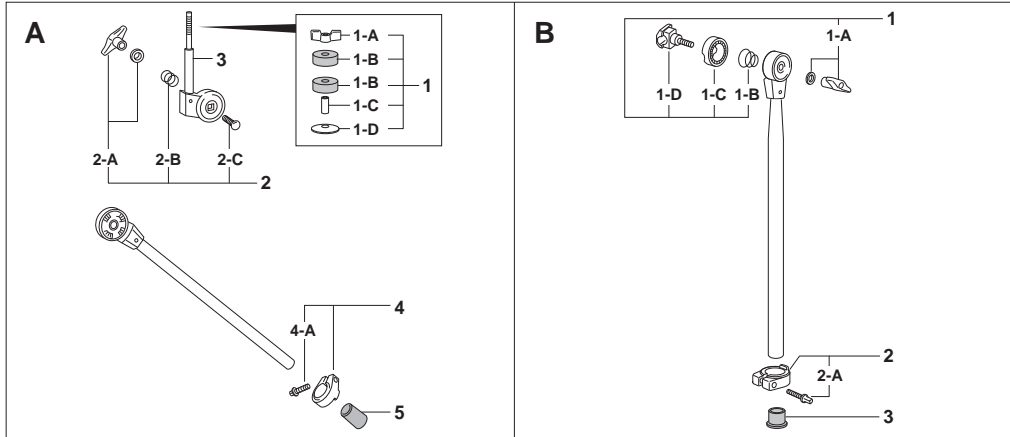


- |          |               |                               |
|----------|---------------|-------------------------------|
| <b>A</b> | <b>AA-B90</b> | <b>Boom Assy. Complete</b>    |
| 1        | PL-10A        | Upper Tilter Section Complete |
| 1-A      | PL-10         | Plastic Cymbal Nut            |
| 1-B      | FL-90         | Felt Washer (one each)        |
| 1-C      | PL-11         | Cymbal Seat Cup               |
| 2        | UGB-830       | Die-Cast Wing Bolt w/Washer   |
| 3        | ZD-16A        | Stop Lock Complete            |
| 3-A      | KB-620        | Key Bolt                      |
| 4        | NP-71         | Plastic Tip                   |
| <b>B</b> | <b>TU-90A</b> | <b>Tube Assy. Complete</b>    |
| 1        | BC-B90        | Boom Clamp Assy. Complete     |
| 1-A      | UGN-8         | Die-Cast Wing Nut w/Washer    |
| 1-B      | SP-27         | Spring                        |
| 1-C      | ZD-14         | Clamp Gear Link               |
| 1-D      | ZD-15A        | Boom Clamp Bolt               |
| 2        | SX-2NN        | Stop Lock Complete            |
| 2-A      | KB-625        | Key Bolt                      |
| 3        | NP-164        | Plastic End Cap               |



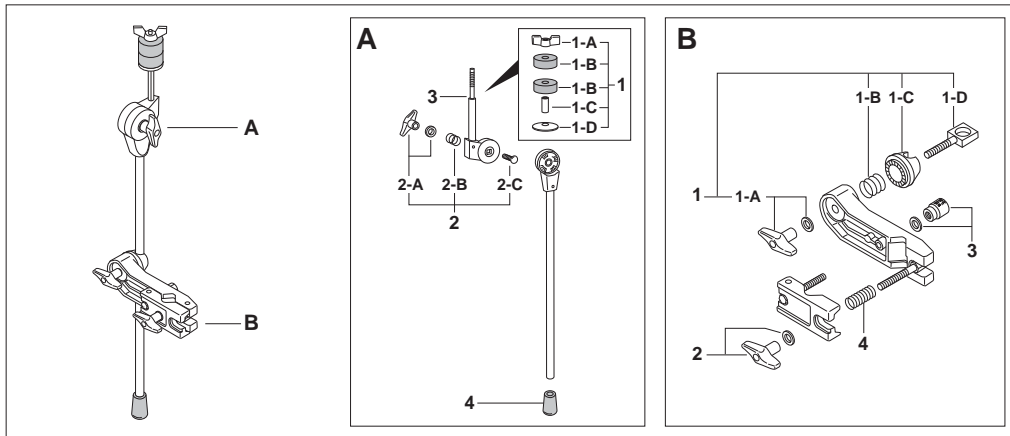
# CYMBAL HOLDERS

## CH-80



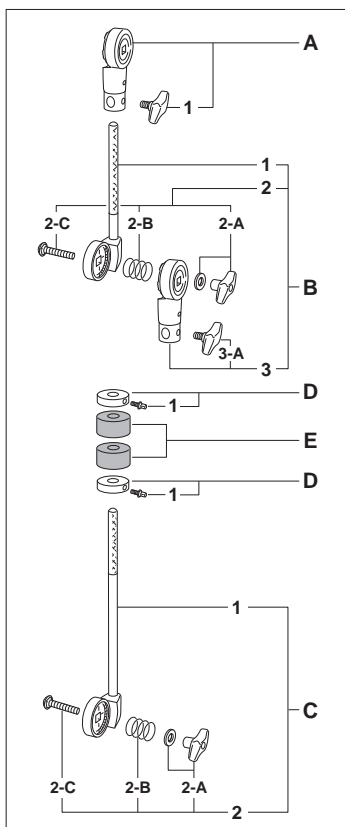
- |          |                                       |
|----------|---------------------------------------|
| <b>A</b> | <b>PP-169ACN Boom Assy. Complete</b>  |
| 1        | FL-80AN Upper Tilter Section Complete |
| 1-A      | M-8W Die-Cast Wing Nut                |
| 1-B      | FE-32 Felt Washer (one each)          |
| 1-C      | NP-70 Plastic Sleeve                  |
| 1-D      | PR-135 Cup Washer                     |
| 2        | SN-800A Bolt & Nut Set w/Spring       |
| 2-A      | UGN-8 Die-Cast Wing Nut w/Washer      |
| 2-B      | SP-032 Spring                         |
| 2-C      | SC-36B Clamp Bolt                     |
| 3        | SN-800N Tilter Unit                   |
| 4        | SX-8 Stop Lock Complete               |
| 4-A      | KB-620 Key Bolt                       |
| 5        | NP-71 Plastic Tip                     |
| <b>B</b> | <b>TU-80A Tube Assy. Complete</b>     |
| 1        | BC-800A Boom Clamp Assy. Complete     |
| 1-A      | UGN-8 Die-Cast Wing Nut w/Washer      |
| 1-B      | SP-27N Spring                         |
| 1-C      | DC-371 Clamp Gear Link                |
| 1-D      | BTL-85N Boom Clamp Bolt               |
| 2        | SX-2N Stop Lock Complete              |
| 2-A      | KB-625 Key Bolt                       |
| 3        | NP-164 Plastic End Cap                |

## CH-70



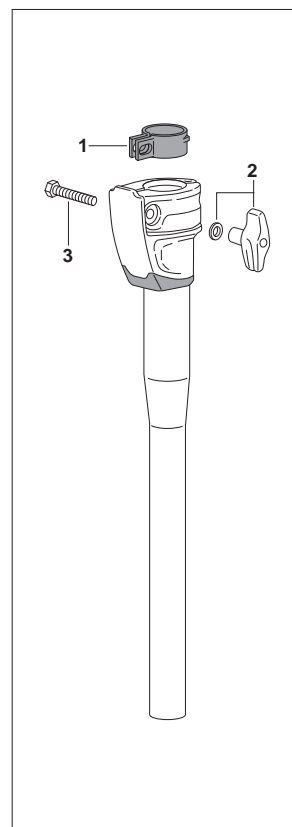
- |          |                                       |
|----------|---------------------------------------|
| <b>A</b> | <b>B-75AN Boom Assy. Complete</b>     |
| 1        | FL-80AN Upper Tilter Section Complete |
| 1-A      | M-8W Die-Cast Wing Nut                |
| 1-B      | FE-32 Felt Washer (one each)          |
| 1-C      | NP-70 Plastic Sleeve                  |
| 1-D      | PR-135 Cup Washer                     |
| 2        | SN-800A Bolt & Nut Set w/Spring       |
| 2-A      | UGN-8 Die-Cast Wing Nut w/Washer      |
| 2-B      | SP-032 Spring                         |
| 2-C      | SC-36B Clamp Bolt                     |
| 3        | SN-800N Tilter Unit                   |
| 4        | NP-72 Plastic Tip                     |
| <b>B</b> | <b>CA-70A Clamp Assy. Complete</b>    |
| 1        | BC-70AN Boom Clamp Assy. Complete     |
| 1-A      | UGN-8 Die-Cast Wing Nut w/Washer      |
| 1-B      | SP-032 Spring                         |
| 1-C      | DC-335 Clamp Gear Link                |
| 1-D      | ME-67 Boom Clamp Bolt                 |
| 2        | UGN-8 Die-Cast Wing Nut w/Washer      |
| 3        | M-8RN Knurled Round Nut w/Washer      |
| 4        | SP-26 Spring                          |

## CST-80



- |          |  |
|----------|--|
| <b>A</b> | <b>DC-497A Tilter Base Assy.</b>                 |
| 1        | UGB-610 Die-Cast Wing Bolt                       |
| <b>B</b> | <b>TLCS-80S Tilter Rod Assy. Complete, Short</b> |
| 1        | ME-531SA Tilter Rod, Short                       |
| 2        | SN-800A Bolt & Nut Set w/Spring                  |
| 2-A      | UGN-8 Die-Cast Wing Nut w/Washer                 |
| 2-B      | SP-032 Spring                                    |
| 2-C      | SC-36B Clamp Bolt                                |
| 3        | DC-497A Tilter Base Assy.                        |
| 3-A      | UGB-610 Die-Cast Wing Bolt                       |
| <b>C</b> | <b>TLCS-80L Tilter Rod Assy. Complete, Long</b>  |
| 1        | ME-531LA Tilter Rod, Long                        |
| 2        | SN-800A Bolt & Nut Set w/Spring                  |
| 2-A      | UGN-8 Die-Cast Wing Nut w/Washer                 |
| 2-B      | SP-032 Spring                                    |
| 2-C      | SC-36B Clamp Bolt                                |
| <b>D</b> | <b>ME-532A Lock Spacer, Complete (one set)</b>   |
| 1        | KB-615 Key Bolt                                  |
| <b>E</b> | <b>FE-32 Felt Washer (one each)</b>              |

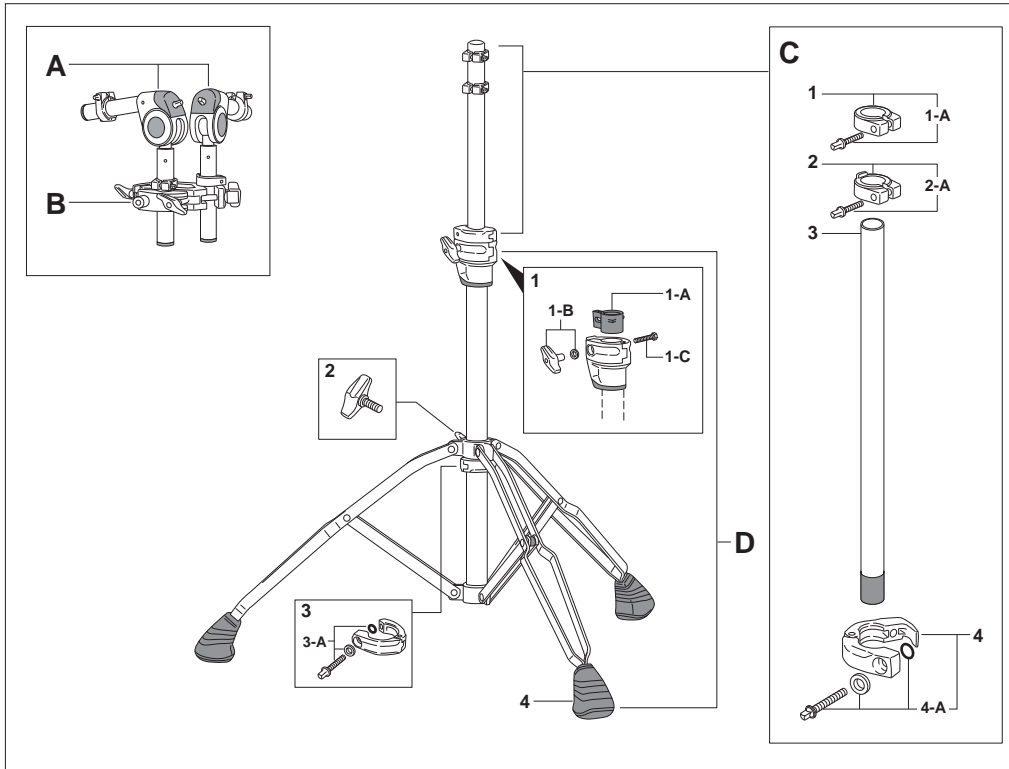
## TX-100 Tube Extender



- |   |                                  |
|---|----------------------------------|
| 1 | NP-366 Nylon Bushing             |
| 2 | UGN-6 Die-Cast Wing Nut w/Washer |
| 3 | SC-169 Clamp Bolt                |

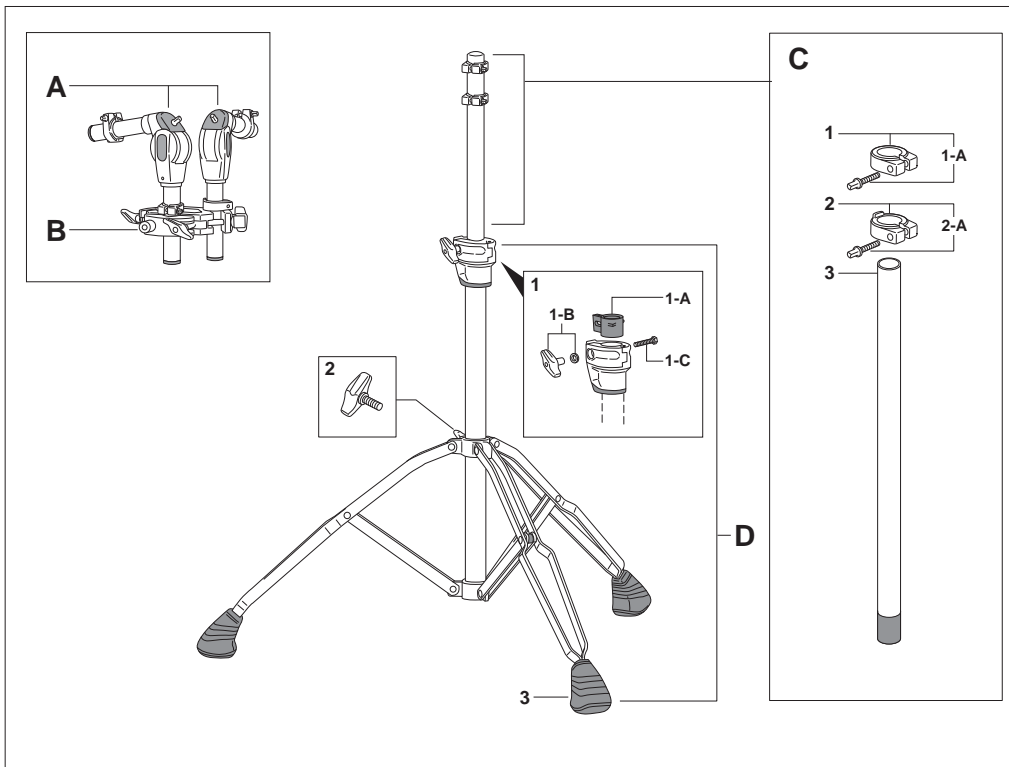
# TOM STANDS

## T-2000



- A TH-2000S Tom Holder, Short (one each)**
- B AX-38 Adapter - Please refer to the Adapter section.**
- C T-80A Upper Tube Assy. Complete**
- 1 SX-2NS Stop Lock Complete
  - 1-A KB-625 Key Bolt
  - 2 SX-2N Stop Lock Complete
  - 2-A KB-625 Key Bolt
  - 3 TU-98T Upper Tube ONLY
  - 4 DC-576A Stop Lock Complete
  - 4-A KB-625WO Key Bolt w/Washer & O-Ring
- D BA-200BN Base Assy. Complete**
- 1 DJ-700 Die-Cast Joint Assy. Complete
  - 1-A NP-366 Nylon Bushing
  - 1-B UGN-6 Die-Cast Wing Nut w/Washer
  - 1-C SC-169 Clamp Bolt
  - 2 UGB-815 Die-Cast Wing Bolt
  - 3 DC-582A Stop Lock Complete
  - 3-A KB-625WO Key Bolt w/Washer & O-Ring
  - 4 R-22N Rubber Tip (one each)

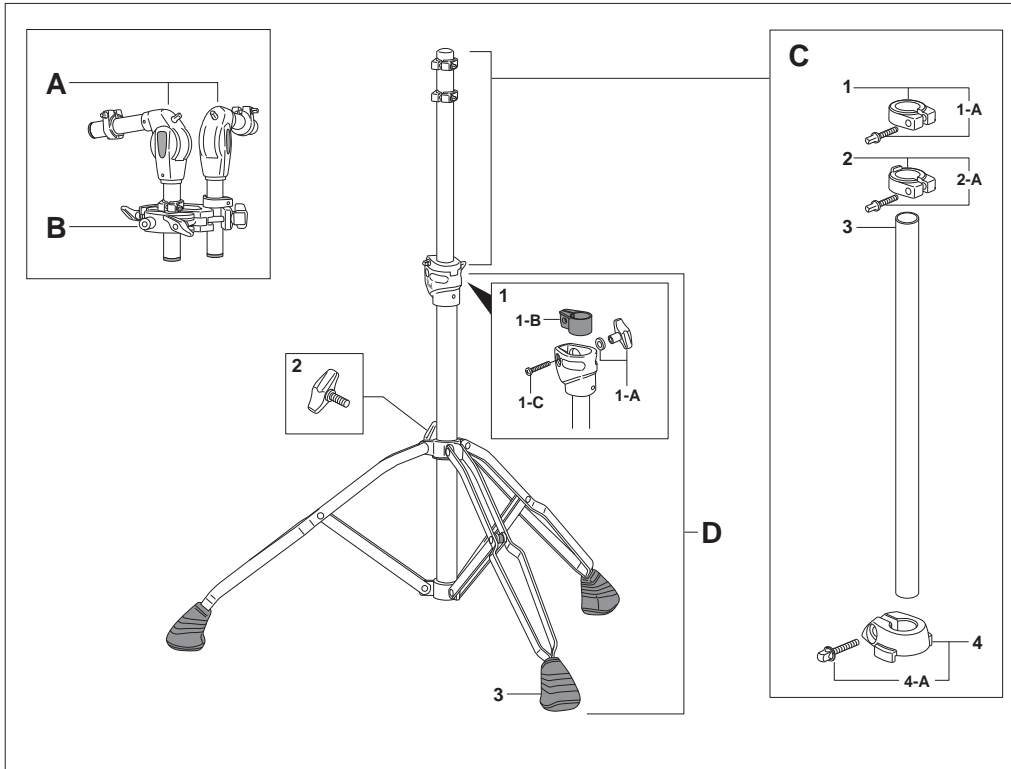
## T-1000



- A TH-1000S Tom Holder, Short (one each)**
- B AX-38 Adapter - Please refer to the Adapter section.**
- C T-80A Upper Tube Assy. Complete**
- 1 SX-2NS Stop Lock Complete
  - 1-A KB-625 Key Bolt
  - 2 SX-2N Stop Lock Complete
  - 2-A KB-625 Key Bolt
  - 3 TU-98T Upper Tube ONLY
- D BA-100BW Base Assy. Complete**
- 1 DJ-700 Die-Cast Joint Assy. Complete
  - 1-A NP-366 Nylon Bushing
  - 1-B UGN-6 Die-Cast Wing Nut w/Washer
  - 1-C SC-169 Clamp Bolt
  - 2 UGB-815 Die-Cast Wing Bolt
  - 3 R-22N Rubber Tip (one each)

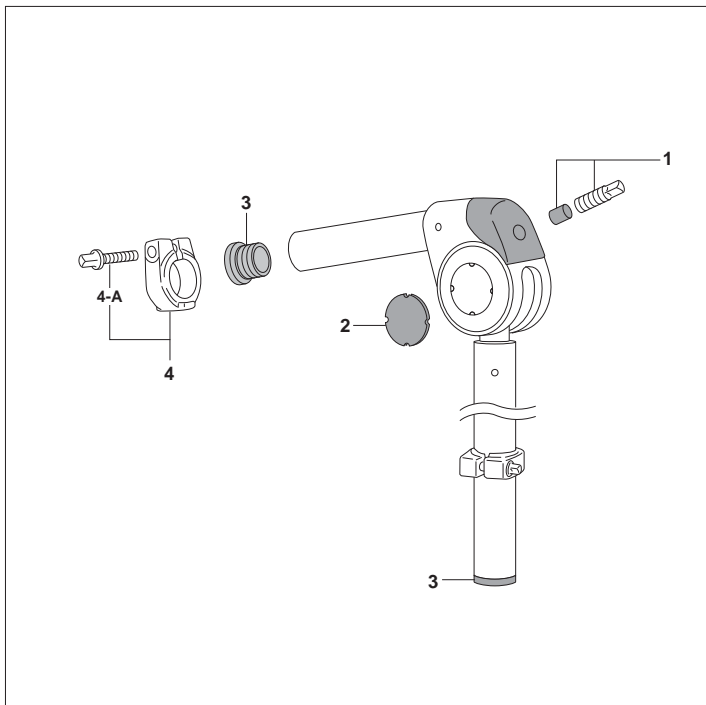
# TOM STANDS, TOM HOLDERS

## T-900



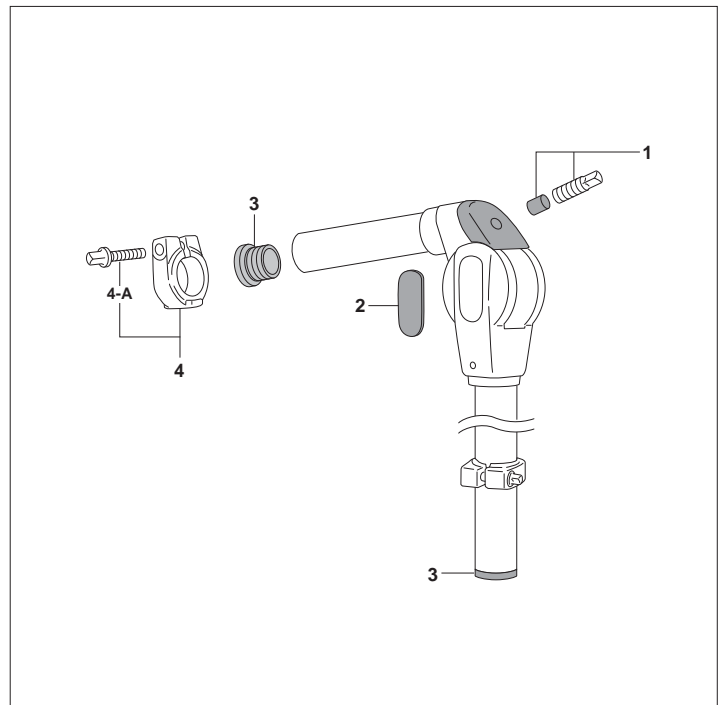
- |          |                |   |
|----------|----------------|---|
| <b>A</b> | <b>TH-900S</b> | <b>Tom Holder, Short (one each)</b>                   |
| <b>B</b> | <b>ADP-30</b>  | <b>Adapter - Please refer to the Adapter section.</b> |
| <b>C</b> | <b>UT-T90</b>  | <b>Upper Tube Assy. Complete</b>                      |
| 1        | SX-2NS         | Stop Lock Complete                                    |
| 1-A      | KB-625         | Key Bolt  |
| 2        | SX-2N          | Stop Lock Complete                                    |
| 2-A      | KB-625         | Key Bolt  |
| 3        | TU-90T         | Upper Tube ONLY                                       |
| 4        | ZD-24A         | Stop Lock Complete                                    |
| 4-A      | KB-625         | Key Bolt  |
| <b>D</b> | <b>BA-90</b>   | <b>Base Assy. Complete</b>                            |
| 1        | PJ-90L         | Die-Cast Joint Assy. Complete                         |
| 1-A      | UGN-6C         | Die-Cast Wing Nut w/Collar                            |
| 1-B      | PL-8           | Nylon Bushing   |
| 1-C      | SC-392         | Clamp Bolt  |
| 2        | UGB-815        | Die-Cast Wing Bolt                                    |
| 3        | RB-8           | Rubber Tip (one each)                                 |

## TH-2000/2000I/2000S



- |     |         |                              |
|-----|---------|------------------------------|
| 1   | KB-814P | Key Bolt w/Pin               |
| 2   | B-GL-1  | Logo Plate (one each)        |
| 3   | NP-164  | Plastic End Cap (one each)   |
| 4   | SX-2N   | Stop Lock Complete (one set) |
| 4-A | KB-625  | Key Bolt                     |

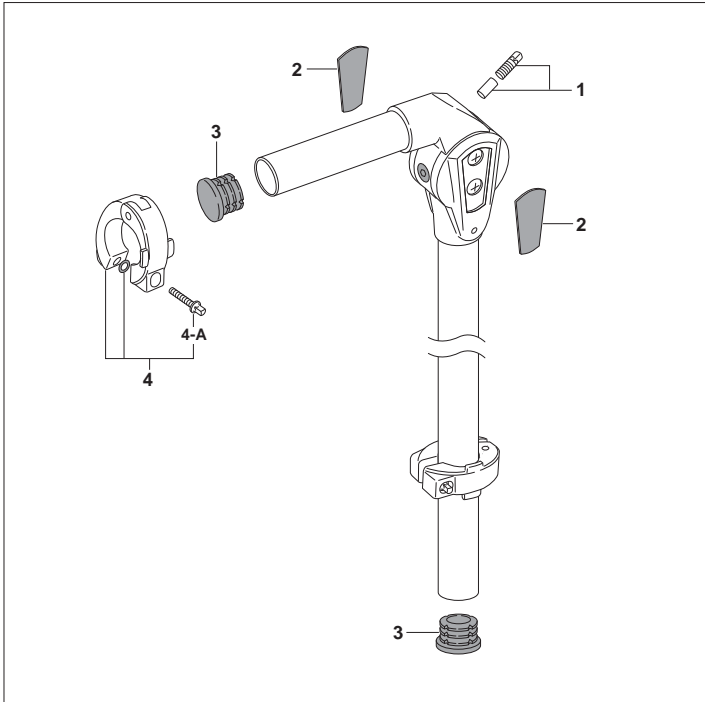
## TH-1000/1000I/1000S



- |     |         |                              |
|-----|---------|------------------------------|
| 1   | KB-821P | Key Bolt w/Pin               |
| 2   | B-UL-1  | Logo Plate (one each)        |
| 3   | NP-164  | Plastic End Cap (one each)   |
| 4   | SX-2N   | Stop Lock Complete (one set) |
| 4-A | KB-625  | Key Bolt                     |

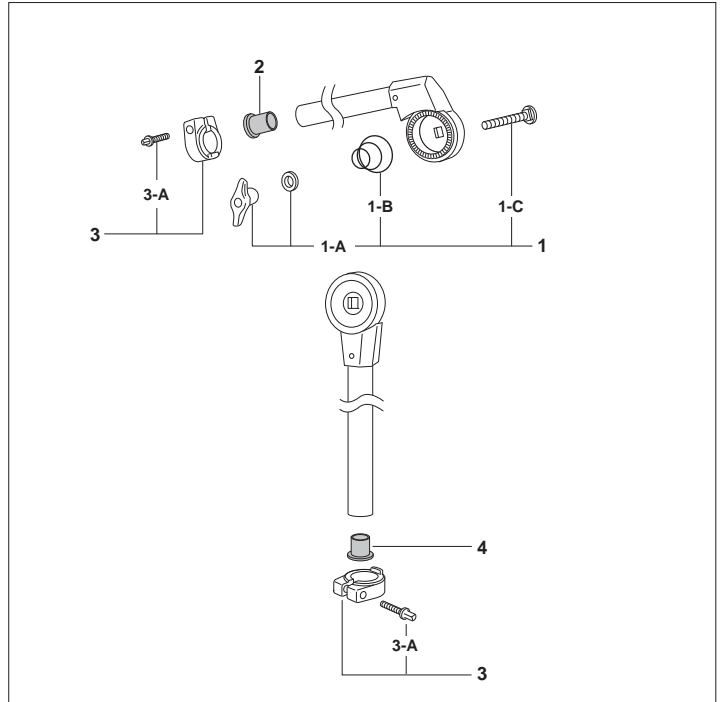
# TOM HOLDERS

## TH-900I/900S



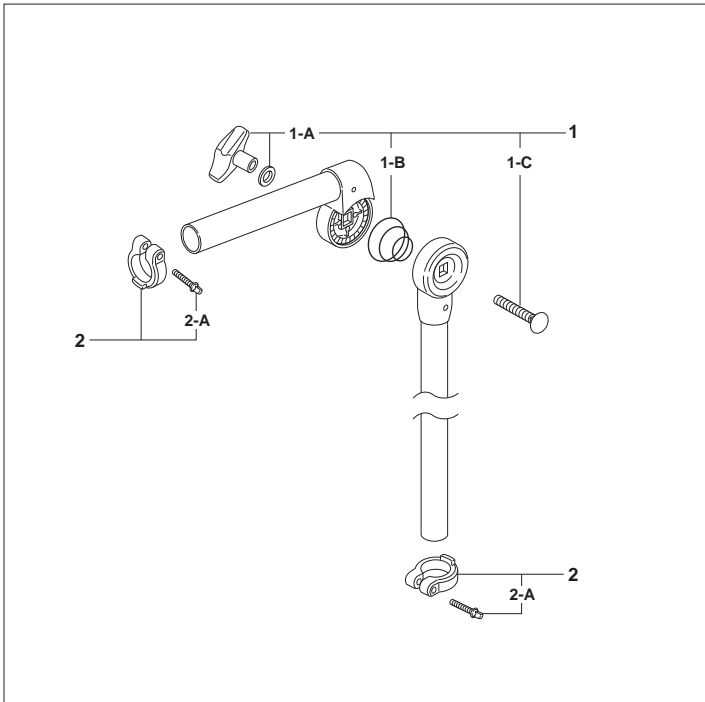
- 1 KB-821P Key Bolt w/Pin
- 2 LGS-5 Logo Plate (one each)
- 3 NP-164 Plastic End Cap (one each)
- 4 RSP-22T Stop Lock Complete (one set)
- 4-A KB-625 Key Bolt

## TH-88/88S/88I



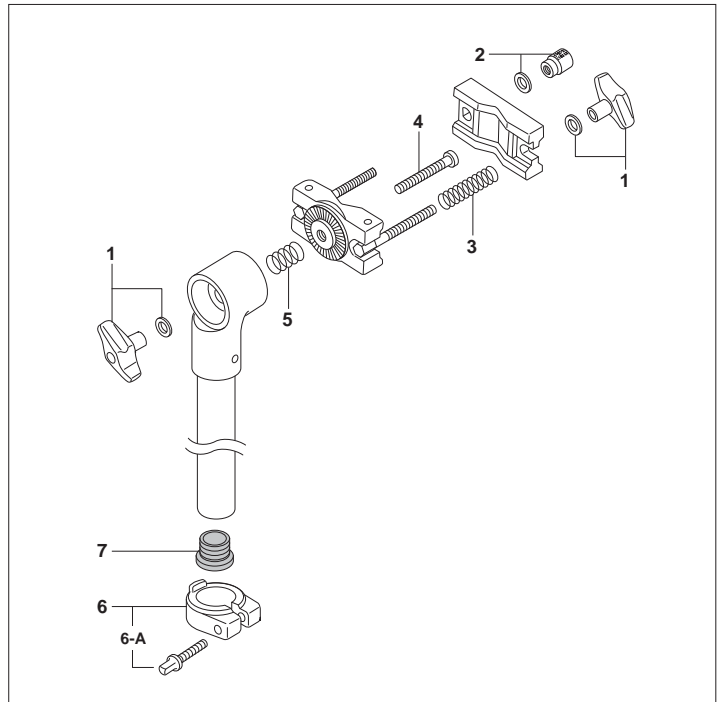
- 1 SN-85A Bolt & Nut Set w/Spring
- 1-A UGN-8 Die-Cast Wing Nut w/Washer
- 1-B SP-27 Spring
- 1-C SC-36B Clamp Bolt
- 2 NP-164 Plastic End Cap
- 3 SX-2N Stop Lock Complete (one set)
- 3-A KB-625 Key Bolt
- 4 NP-164 Plastic End Cap

## TH-70



- 1 SN-85A Bolt & Nut Set w/Spring
- 1-A UGN-8 Die-Cast Wing Nut w/Washer
- 1-B SP-27N Spring
- 1-C SC-36B Clamp Bolt
- 2 SX-70 Stop Lock Complete (one set)
- 2-A KB-625 Key Bolt

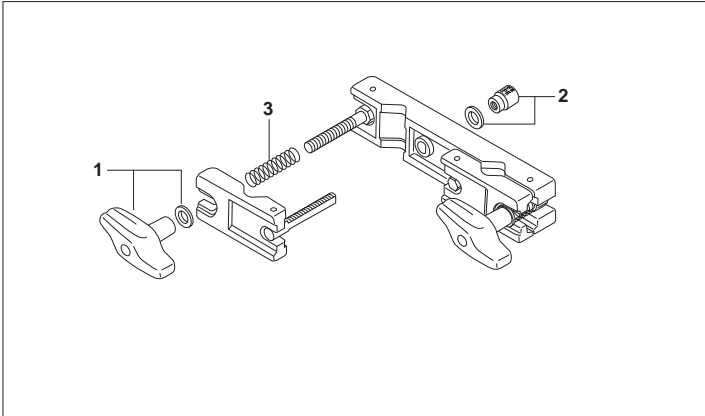
## UX-80



- 1 UGN-8 Die-Cast Wing Nut w/Washer (one set)
- 2 M-8RN Knurled Round Nut w/Washer
- 3 SP-26 Spring
- 4 SC-144 Center Bolt
- 5 SP-36 Spring
- 6 SX-2N Stop Lock Complete
- 6-A KB-625 Key Bolt
- 7 NP-164 Plastic End Cap

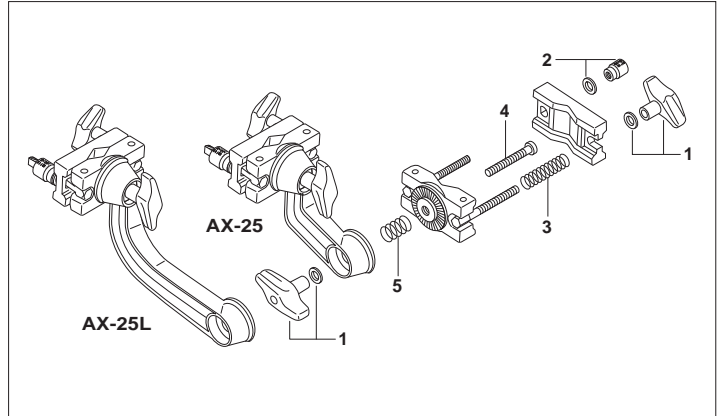
# ADAPTERS

## AX-20



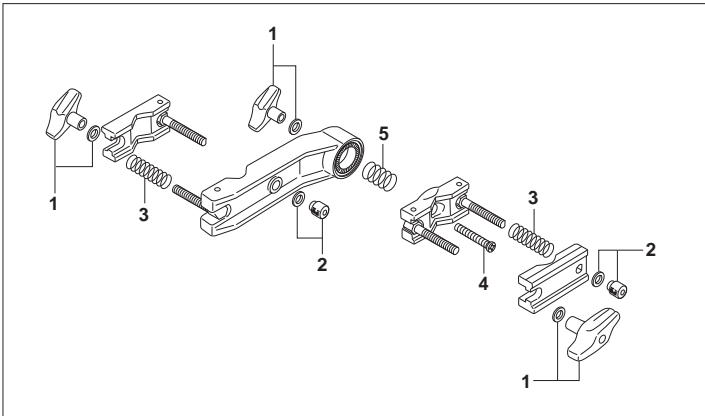
- 1 UGN-8 Die-Cast Wing Nut w/Washer (one set)
- 2 M-8RN Knurled Round Nut w/Washer
- 3 SP-26 Spring

## AX-25/AX-25L



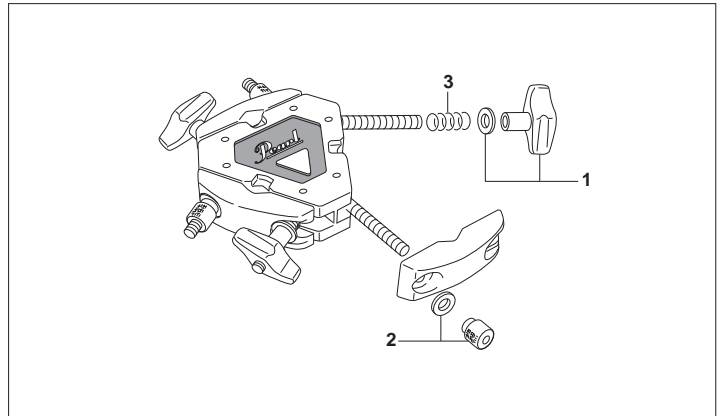
- 1 UGN-8 Die-Cast Wing Nut w/Washer (one set)
- 2 M-8RN Knurled Round Nut w/Washer
- 3 SP-26 Spring
- 4 SC-144 Center Bolt
- 5 SP-36 Spring

## AX-28



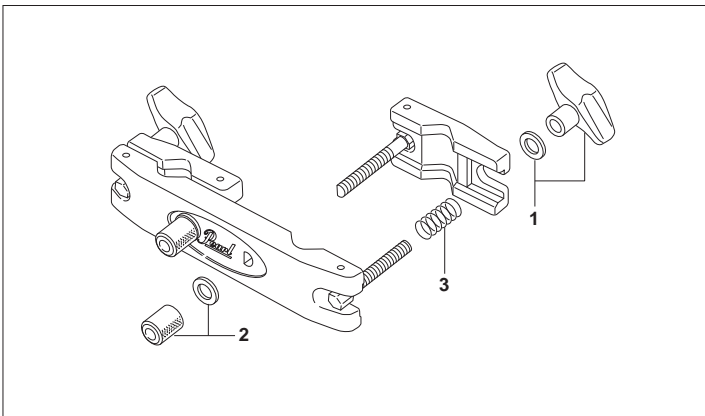
- 1 UGN-8 Die-Cast Wing Nut w/Washer (one set)
- 2 M-8RN Knurled Round Nut w/Washer (one each)
- 3 SP-26 Spring (one each)
- 4 SC-144 Center Bolt
- 5 SP-36 Spring

## AX-38



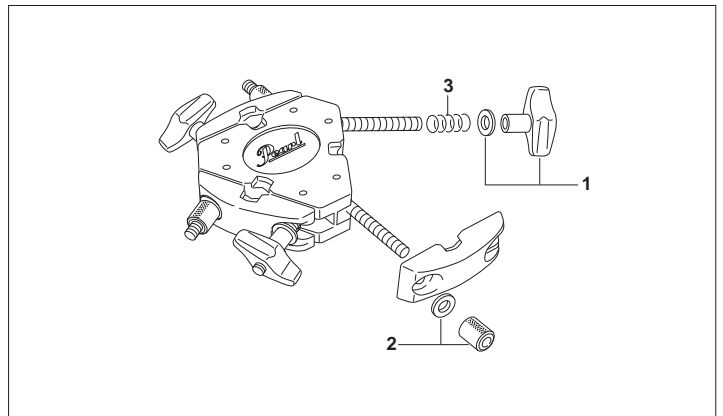
- 1 UGN-8 Die-Cast Wing Nut w/Washer (one set)
- 2 M-8RN Knurled Round Nut w/Washer
- 3 SP-26 Spring

## ADP-20



- 1 UGN-8 Die-Cast Wing Nut w/Washer (one set)
- 2 M-8RN Knurled Round Nut w/Washer
- 3 SP-26 Spring

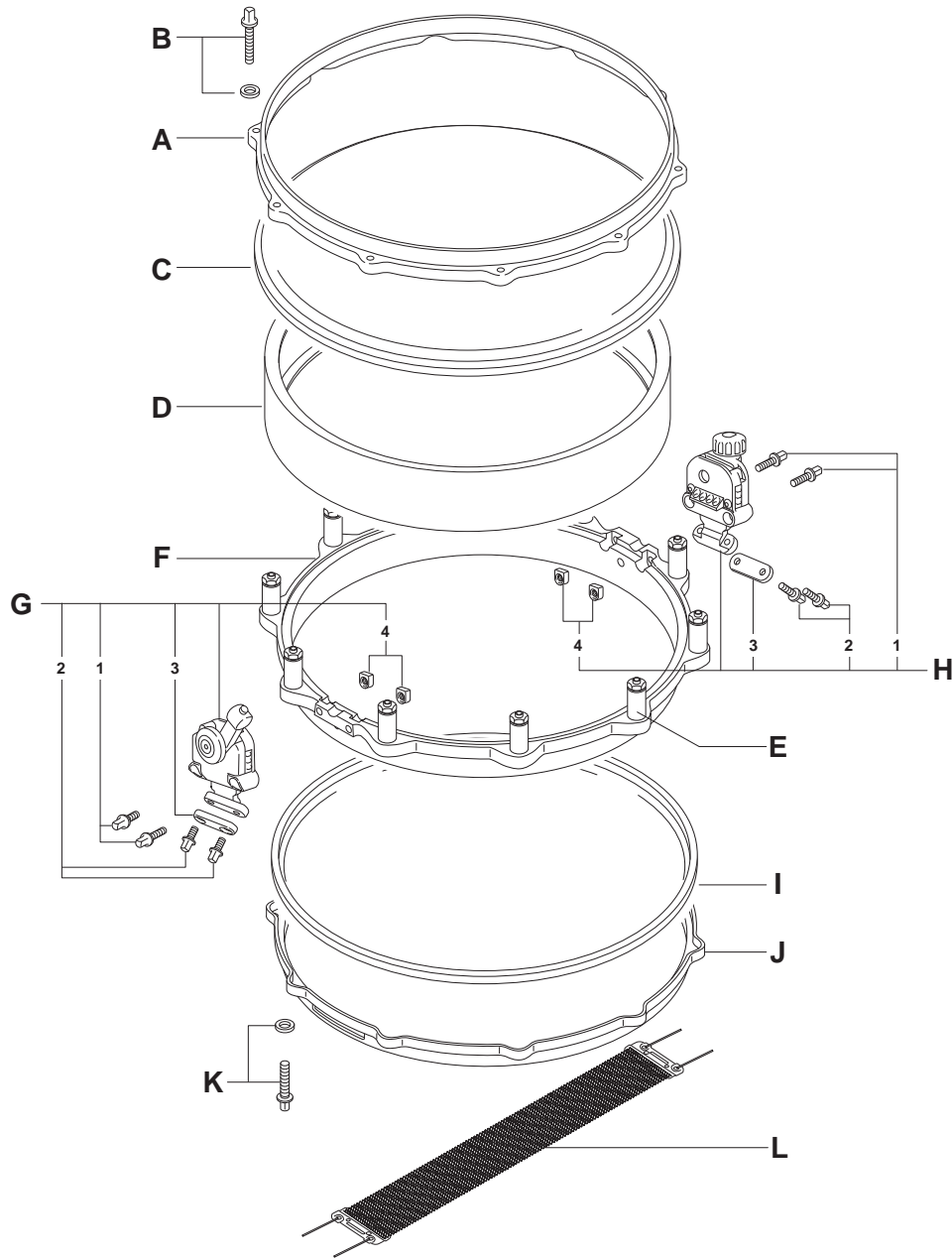
## ADP-30



- 1 UGN-8 Die-Cast Wing Nut w/Washer (one set)
- 2 M-8RN Knurled Round Nut w/Washer
- 3 SP-26 Spring

# F.F.S. SNARE DRUM

## Free Floating System Snare Drum

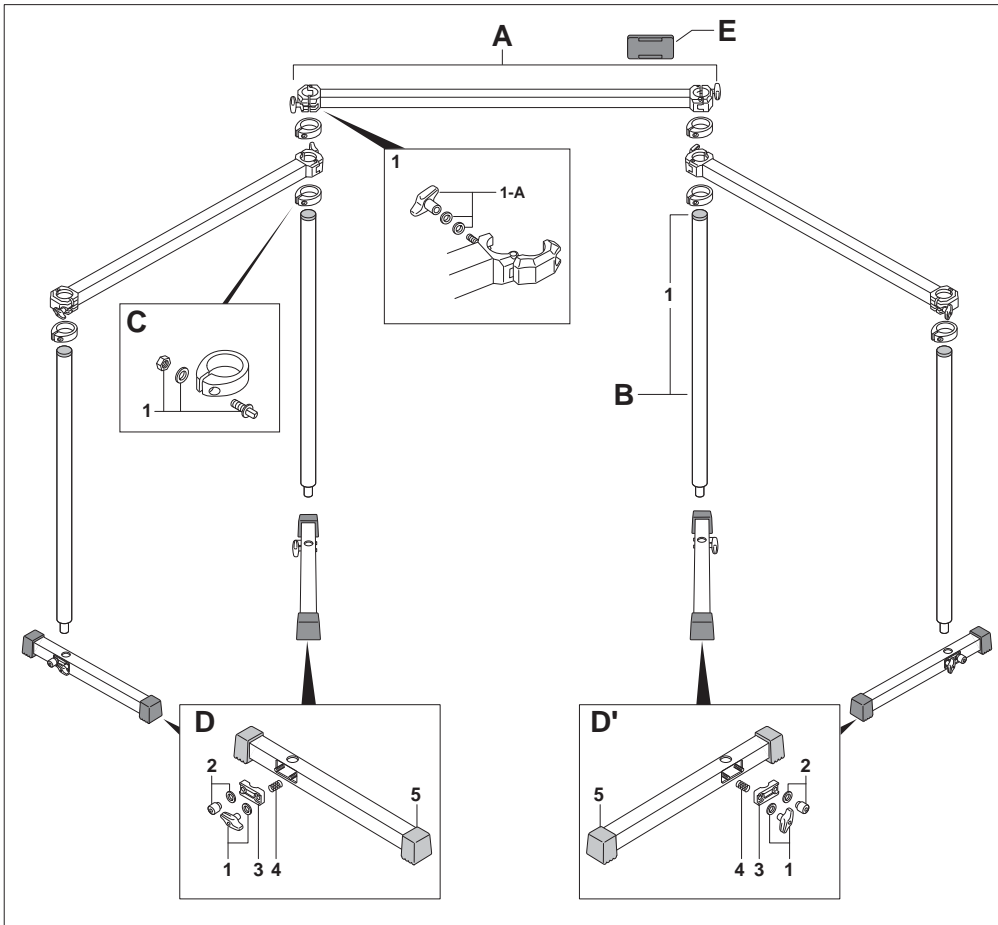


### Free Floating System Snare Drum

<b>A</b>	<b>DC-1410</b>	<b>Die-Cast Hoop for Batter Side</b>	<b>H</b>	<b>SR-1000FB</b>	<b>Butt Side Assy. Complete</b>
<b>B</b>	<b>SST-5035</b>	<b>Tension Key Rod w/Washer for 3.5" Deep SD (one each)</b>	<b>1</b>	<b>KB-618</b>	<b>Key Bolt (one each)</b>
	<b>SST-5042</b>	<b>Tension Key Rod w/Washer for 5" &amp; 6.5" Deep SD (one each)</b>	<b>2</b>	<b>KB-510</b>	<b>Key Bolt (one each)</b>
<b>C</b>		<b>Head for Batter Side</b>	<b>3</b>	<b>DC-684</b>	<b>Snare Mounting Plate</b>
<b>D</b>		<b>Shell</b>	<b>4</b>	<b>ME-675</b>	<b>D-Nut (one each)</b>
<b>E</b>	<b>FT-35</b>	<b>Lug Post for 3 1/2" Depth Snare Drum</b>	<b>I</b>		<b>Head for Snare Side</b>
	<b>FT-50</b>	<b>Lug Post for 5" Depth Snare Drum</b>	<b>J</b>	<b>DC-1410S</b>	<b>Die-Cast Hoop for Snare Side</b>
	<b>FT-65</b>	<b>Lug Post for 6 1/2" Depth Snare Drum</b>	<b>K</b>	<b>SST-5035</b>	<b>Tension Key Rod w/Washer for 3.5" Deep SD (one each)</b>
<b>F</b>	<b>ARC-1410</b>	<b>Aluminum Ring Chassis ONLY</b>	<b>L</b>	<b>SST-5042</b>	<b>Tension Key Rod w/Washer for 5" &amp; 6.5" Deep SD (one each)</b>
<b>G</b>	<b>SR-1000FA</b>	<b>Release Side Assy. Complete</b>		<b>SN-1420I</b>	<b>Ultra Sound Snare Wire "I" Type</b>
<b>1</b>	<b>KB-618</b>	<b>Key Bolt (one each)</b>			
<b>2</b>	<b>KB-510</b>	<b>Key Bolt (one each)</b>			
<b>3</b>	<b>DC-684</b>	<b>Snare Mounting Plate</b>			
<b>4</b>	<b>ME-675</b>	<b>D-Nut (one each)</b>			

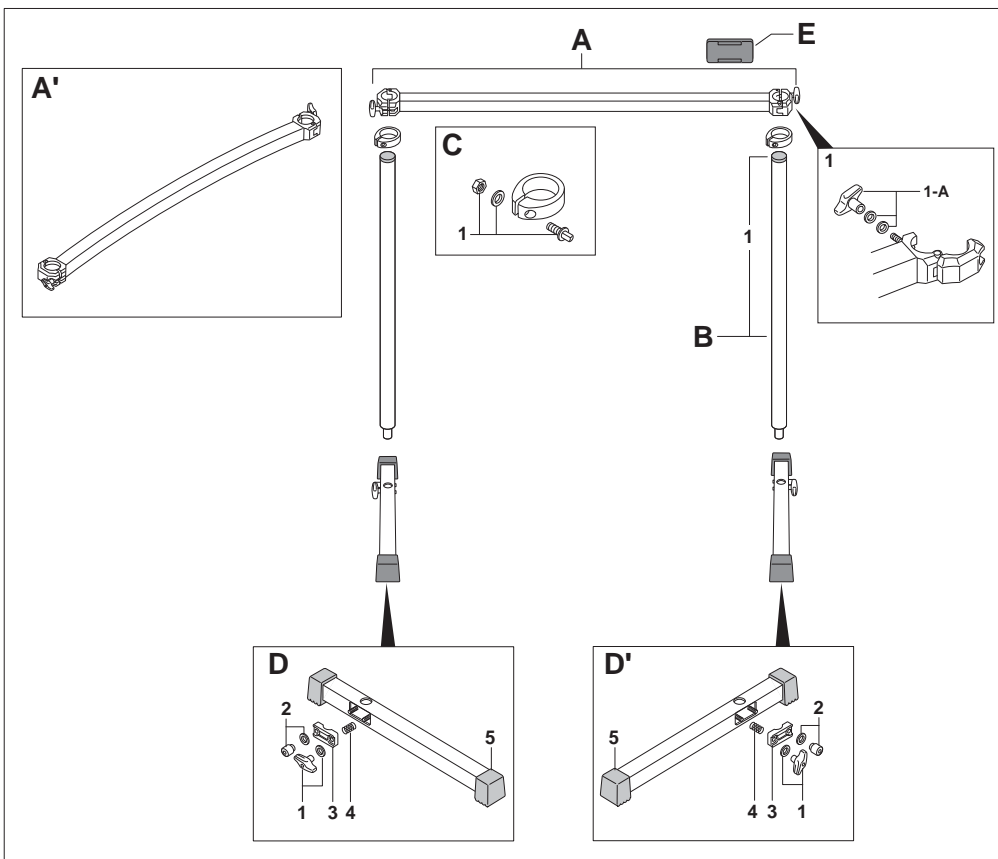
# DRUM RACKS

## DR-503



- A AL-18A Straight Rack Bar Complete**
- 1 DC-424A Die-Cast Clamp Assy. Complete
- 1-A UGN-8W Die-Cast Wing Nut w/Washers
- B PP-176A Steel Leg**
- 1 NP-338 Plastic Cap
- C DC-426A Stop Lock Complete**
- 1 KB-625A Key Bolt w/Washer & Hexagonal Nut
- D PP-189LA Floor Bar Assy. Complete (Left Side)**
- 1 UGN-8 Die-Cast Wing Nut w/Washer
- 2 M-8RN Knurled Round Nut w/Washer
- 3 DC-366 Die-Cast Link
- 4 SP-45 Spring
- 5 NP-188 Rubber Foot (one each)
- D' PP-189RA Floor Bar Assy. Complete (Right Side)**
- 1 UGN-8 Die-Cast Wing Nut w/Washer
- 2 M-8RN Knurled Round Nut w/Washer
- 3 DC-366 Die-Cast Link
- 4 SP-45 Spring
- 5 NP-188 Rubber Foot (one each)
- E NP-394 Clip on Logo**

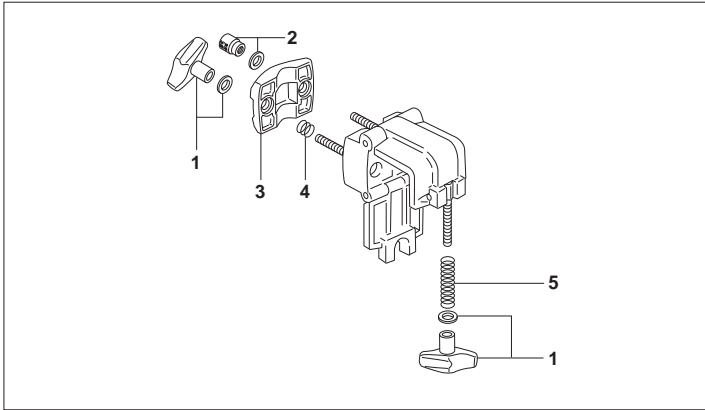
## DR-501/501C/501E/501CE



- A AL-18A Straight Rack Bar Complete**
- 1 DC-424A Die-Cast Clamp Assy. Complete
- 1-A UGN-8W Die-Cast Wing Nut w/Washers
- A' AL-28AC Curved Rack Bar Complete**
- B PP-176A Steel Leg**
- 1 NP-338 Plastic Cap
- C DC-426A Stop Lock Complete**
- 1 KB-625A Key Bolt w/Washer & Hexagonal Nut
- D PP-189LA Floor Bar Assy. Complete**
- 1 UGN-8 Die-Cast Wing Nut w/Washer
- 2 M-8RN Knurled Round Nut w/Washer
- 3 DC-366 Die-Cast Link
- 4 SP-45 Spring
- 5 NP-188 Rubber Foot (one each)
- D' PP-189RA Floor Bar Assy. Complete**
- 1 UGN-8 Die-Cast Wing Nut w/Washer
- 2 M-8RN Knurled Round Nut w/Washer
- 3 DC-366 Die-Cast Link
- 4 SP-45 Spring
- 5 NP-188 Rubber Foot (one each)
- E NP-394 Clip on Logo**

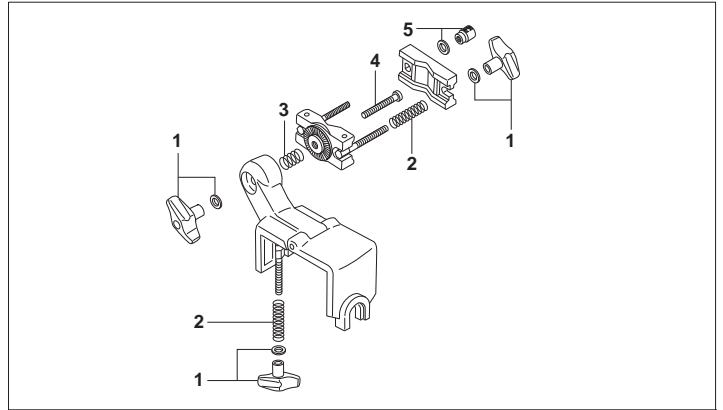
# DRUM RACKS, PIPE CLAMPS, RACK JOINT

## PCX-100



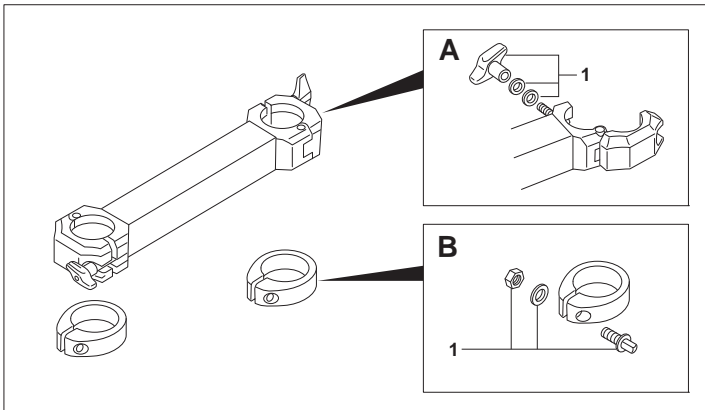
- 1 UGN-8 Die-Cast Wing Nut w/Washer (one set)
- 2 M-8RN Knurled Round Nut w/Washer
- 3 DC-587 Die-Cast Link
- 4 SP-45S Spring
- 5 SP-26 Spring

## PCX-200



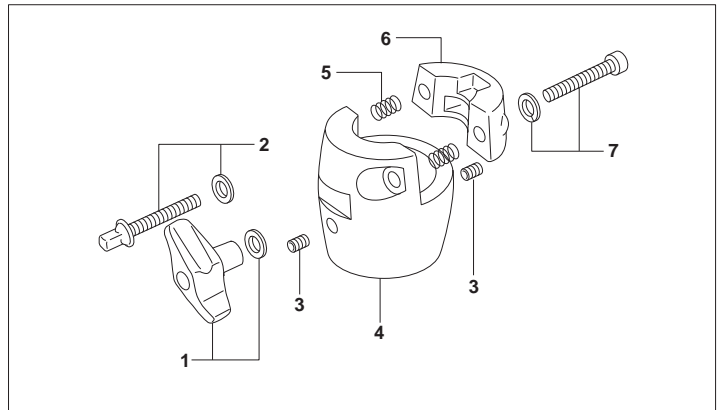
- 1 UGN-8 Die-Cast Wing Nut w/Washer (one set)
- 2 SP-26 Spring
- 3 SP-36 Spring
- 4 SC-144 Center Bolt
- 5 M-8RN Knurled Round Nut w/Washer

## RJ-50 Rack Joint



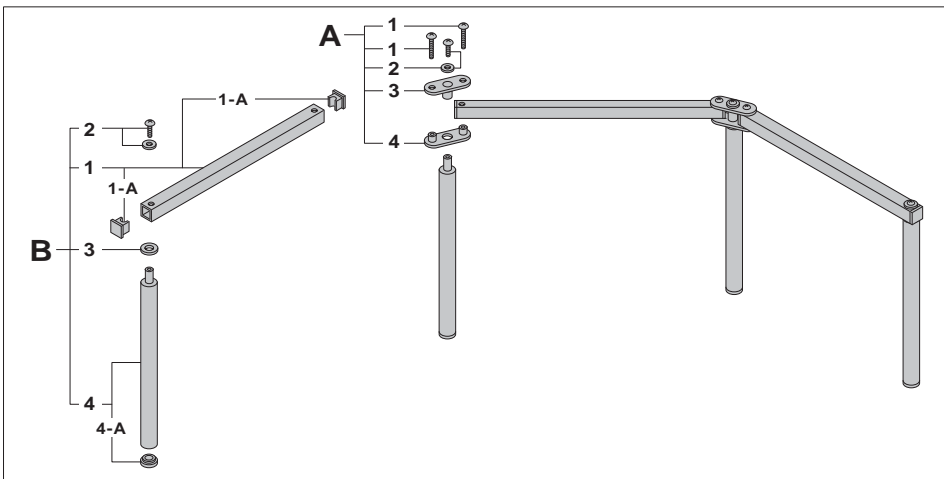
- A DC-424A Die-Cast Clamp Assy. Complete**
- 1 UGN-8W Die-Cast Wing Nut w/Washers
- B DC-426A Stop Lock Complete**
- 1 KB-625A Key Bolt w/Washer & Hexagonal Nut

## PCL-100



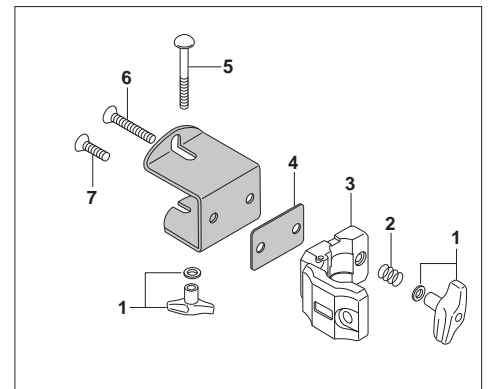
- 1 UGN-6W Die-Cast Wing Nut w/Washer
- 2 SC-57W Key Bolt w/Washer
- 3 SB-66 Allen Screw (one each)
- 4 DC-544 Pipe Bracket
- 5 SP-33 Spring (one each)
- 6 DC-545 Clamp Bracket
- 7 SC-341W Bolt w/Washer

## DR-80



- A DR-JC1 Joint Assy. Complete**
- 1 SC-204 Bolt (Long) (one each)
- 2 SC-205 Bolt w/Washer (Short)
- 3 LKP-7 Upper Link Plate w/Leg Bracket
- 4 LKP-4 Lower Link Plate w/Nuts
- B DR-008 Expansion Unit Complete**
- 1 AL-13 Bar w/End Caps
- 1-A NP-162 End Cap (one each)
- 2 SC-205 Bolt w/Washer (Short)
- 3 PR-282 Leg Spacer
- 4 120N Leg w/Leg Cap
- 4-A NP-163 Leg Cap

## PC-8

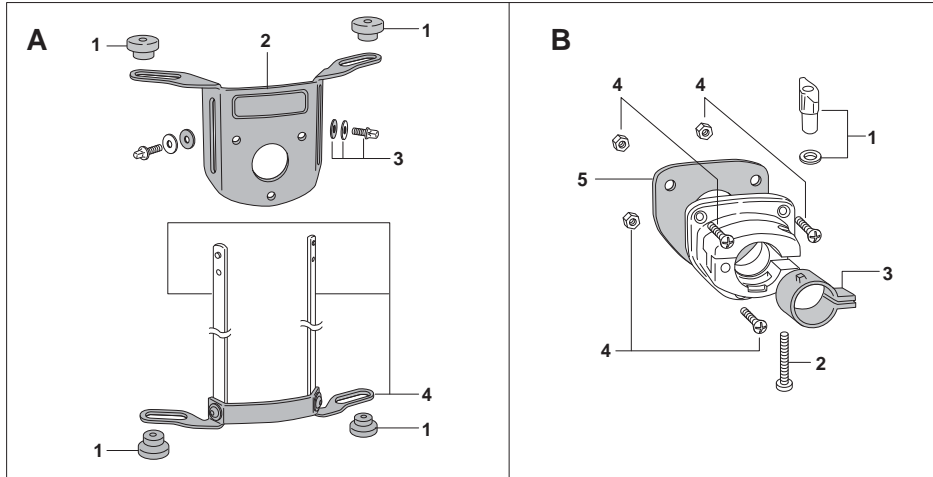


- 1 UGN-8 Die-Cast Wing Nut w/Washer (one each)
- 2 SP-45S Spring
- 3 DC-422A Hinged Clamp ONLY
- 4 GA-45 Gasket
- 5 SC-160 Carriage Bolt
- 6 SC-850 Clamp Bolt, Long
- 7 SC-279 Clamp Bolt, Short



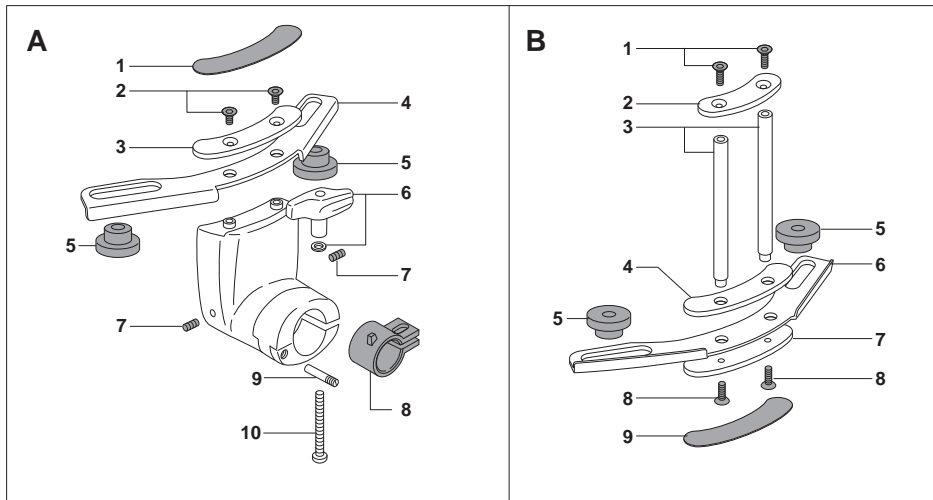
# OPTIMOUNT, I.S.S.

## Optimount Suspension System



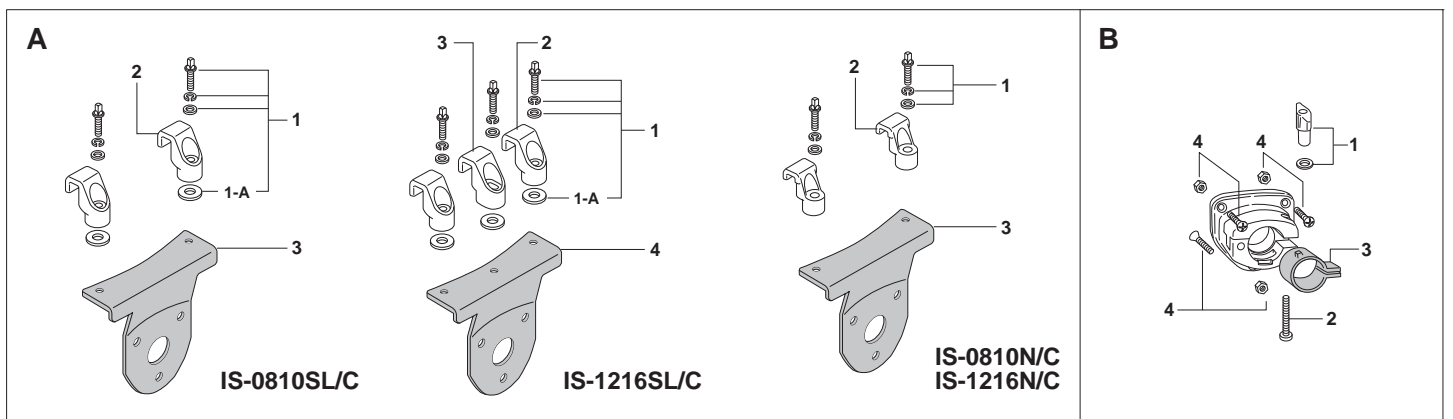
- A**
- OPT-78 Optimount w/o BT-3 (for OPT-0708)
  - OPT-91 Optimount w/o BT-3 (for OPT-0910)
  - OPT-112 Optimount w/o BT-3 (for OPT-1112)
  - OPT-134 Optimount w/o BT-3 (for OPT-1314)
  - OPT-156 Optimount w/o BT-3 (for OPT-1516)
- 1 NP-265 Mounting Rubber (one each)  
 2 PR-528 Bracket Mounting Plate ONLY  
 3 KB-615WB Key Bolt w/Washers  
 4 PR-529A Lower Mounting Plate Assy. \* (for OPT-0708)  
 PR-530A Lower Mounting Plate Assy. \* (for OPT-0910)  
 PR-531A Lower Mounting Plate Assy. \* (for OPT-1112)  
 PR-532A Lower Mounting Plate Assy. \* (for OPT-1314)  
 PR-537A Lower Mounting Plate Assy. \* (for OPT-1516) (one set)
- \* (Includes Lower Mounting Plate and 1pr. connecting struts ONLY)
- B**
- BT-3-OPT Mounting Bracket
  - 1 UGN-6 Die-Cast Wing Nut w/Washer
  - 2 SC-68 Clamp Bolt
  - 3 NP-65 Nylon Bushing
  - 4 IS-MS Mounting Screw & Nut (one set)
  - 5 NP-260P Gasket

## New Optimount Suspension System



- A**
- OPTN-TA Top Assy. Complete
  - 1 DDC-OPTA Logo Sticker
  - 2 SC-367S Flat-Head Screw (one each)
  - 3 PR-638U Support Plate
  - 4 PR-637 Attachment Bracket
  - 5 NP-419 Rubber Grommet (one each)
  - 6 UGN-6 Die-Cast Wing Nut w/Washer
  - 7 SB-66 Allen Screw (one each)
  - 8 NP-420 Nylon Bushing
  - 9 ME-229 Pivot Pin
  - 10 SC-68 Clamp Bolt
- B**
- OPTN-78 Lower Assy. Complete for OPTN-0708
  - OPTN-91 Lower Assy. Complete for OPTN-0910
  - OPTN-112 Lower Assy. Complete for OPTN-1112
  - OPTN-134 Lower Assy. Complete for OPTN-1314
  - OPTN-156 Lower Assy. Complete for OPTN-1516
- 1 SC-366 Flat-Head Screw (one each)  
 2 PR-638 Strut Brace, upper  
 3 ME-656 Strut (one each) for OPTN-0708  
 ME-657 Strut (one each) for OPTN-0910  
 ME-658 Strut (one each) for OPTN-1112  
 ME-659 Strut (one each) for OPTN-1314  
 ME-660 Strut (one each) for OPTN-1516  
 4 PR-638D Strut Brace, lower  
 5 NP-419 Rubber Grommet (one each)  
 6 PR-637 Attachment Bracket  
 7 PR-638U Support Plate  
 8 SC-366 Flat-Head Screw (one each)  
 9 DDC-OPTA Logo Sticker

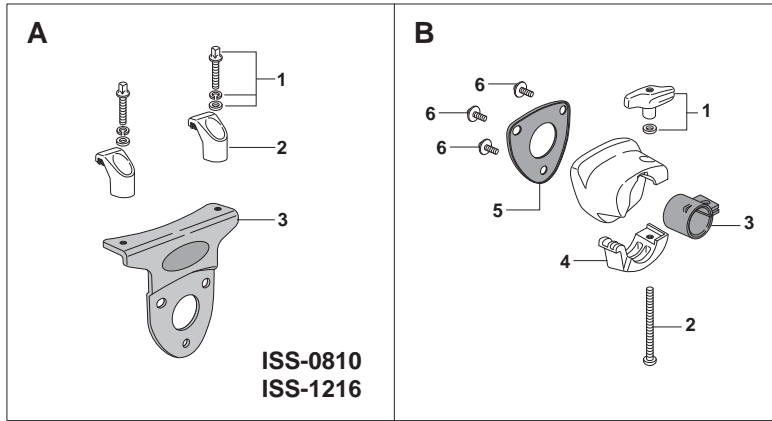
## Integrated Suspension System (I.S.S.)



- A**
- IS-0810SL/C I.S.S. for 8"-10" 2.3mm Super Hoop
  - 1 KB-625WN Key Bolt w/Washers (one set)
  - 1-A WS-5A Washer ONLY (one each)
  - 2 DC-385 Rim Hook (one each)
  - 3 PR-347N Bracket Mounting Plate
- A**
- IS-1216SL/C I.S.S. for 12"-16" 2.3mm Super Hoop
  - 1 KB-625WN Key Bolt w/Washers (one set)
  - 1-A WS-5A Washer ONLY (one each)
  - 2 DC-385 Rim Hook Outside (one each)
  - 3 DC-386 Rim Hook Middle
  - 4 PR-346 Bracket Mounting Plate
- B**
- BT-3-ISS Mounting Bracket (for I.S.S.)
  - 1 UGN-6 Die-Cast Wing Nut w/Washer
  - 2 SC-68 Clamp Bolt
  - 3 NP-65 Nylon Bushing
  - 4 IS-MS Mounting Screw & Nut (one set)
  - 5 IS-MSL Bottom Bolt & Nut Complete

- A**
- IS-0810N/C I.S.S. for 8"-10" 1.6mm Regular Hoop
  - 1 KB-625WN Key Bolt w/Washers (one set)
  - 2 DC-472 Rim Hook (one each)
  - 3 PR-347N Bracket Mounting Plate
- A**
- IS-1216N/C I.S.S. for 12"-16" 1.6mm Regular Hoop
  - 1 KB-625WN Key Bolt w/Washers (one set)
  - 2 DC-472 Rim Hook (one each)
  - 3 PR-346N Bracket Mounting Plate
- B**
- BT-3-ISS Mounting Bracket (for I.S.S.)
  - 1 UGN-6 Die-Cast Wing Nut w/Washer
  - 2 SC-68 Clamp Bolt
  - 3 NP-65 Nylon Bushing
  - 4 IS-MS Mounting Screw & Nut (one set)

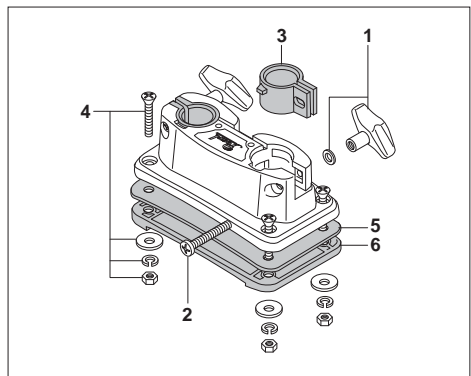
# Integrated Suspension System (I.S.S.) for VISION



- A IS-0810/C**  
 1 KB-625WN Key Bolt w/Washers (one set)  
 2 ZD-57NF Rim Hook w/Felt (one each)  
 3 SBP-0810B Bracket Mounting Plate
- A IS-1216/C**  
 1 KB-625WN Key Bolt w/Washers (one set)  
 2 ZD-57NF Rim Hook w/Felt (one each)  
 3 SBP-1216B Bracket Mounting Plate
- B BT-300-ISS**  
**Mounting Bracket (for I.S.S.)**  
 1 UGN-6 Die-Cast Wing Nut w/Washer  
 2 SC-394 Clamp Bolt  
 3 PL-20 Nylon Bushing  
 4 ZD-48 Clamp  
 5 PL-22 Rubber Gasket  
 6 SM-512 Mounting Screw w/Washer (one each)

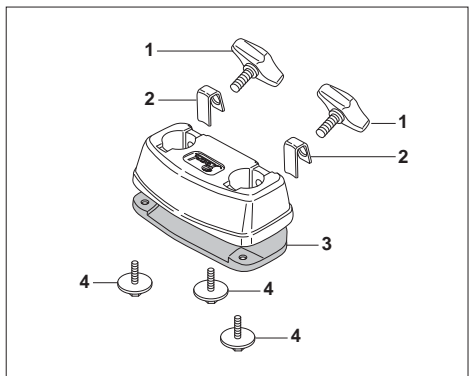
# TOM HOLDER BASES, BRACKETS

## BB-3



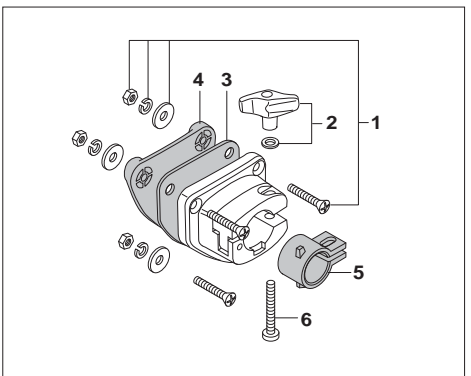
- 1 UGN-6 Die-Cast Wing Nut w/Washer (one set)  
 2 SC-68 Clamp Bolt (one each)  
 3 NP-65 Nylon Bushing (one each)  
 4 B-MS Mounting Screw, Washers & Nut (one set)  
 5 NP-259P Rubber Gasket  
 6 NP-185 Set Plate

## BB-70



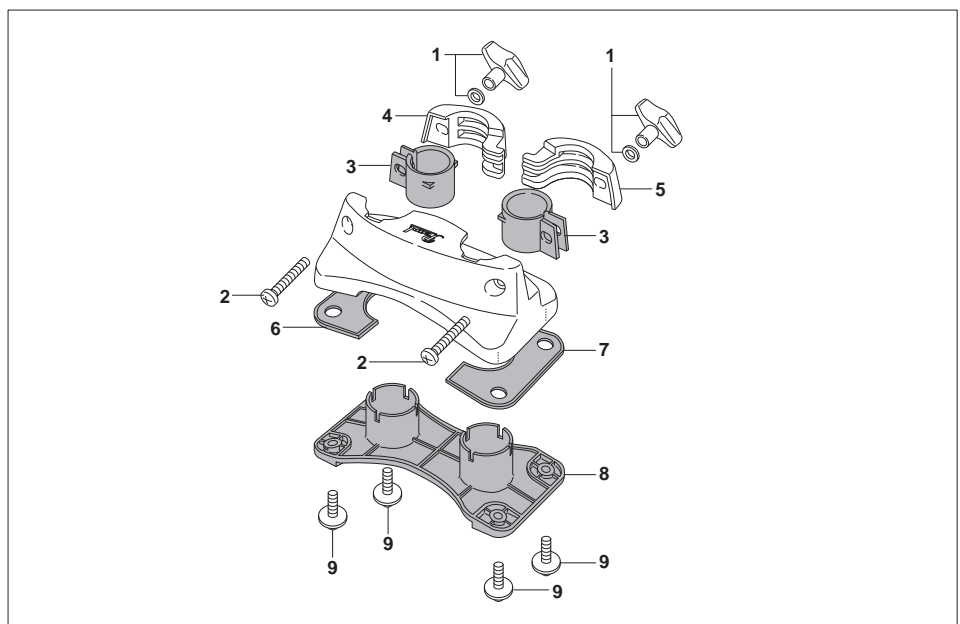
- 1 UGB-815A Die-Cast Wing Bolt (one each)  
 2 PR-618 Steel Bracket (one each)  
 3 NP-611 Set Plate  
 4 SC-233 Mounting Screw w/Washer (one each)

## BT-3



- 1 T-MS Mounting Screw, Washers & Nut (one set)  
 2 UGN-6 Die-Cast Wing Nut w/Washer  
 3 NP-260P Gasket  
 4 NP-186 Set Plate  
 5 NP-65 Nylon Bushing  
 6 SC-68 Clamp Bolt

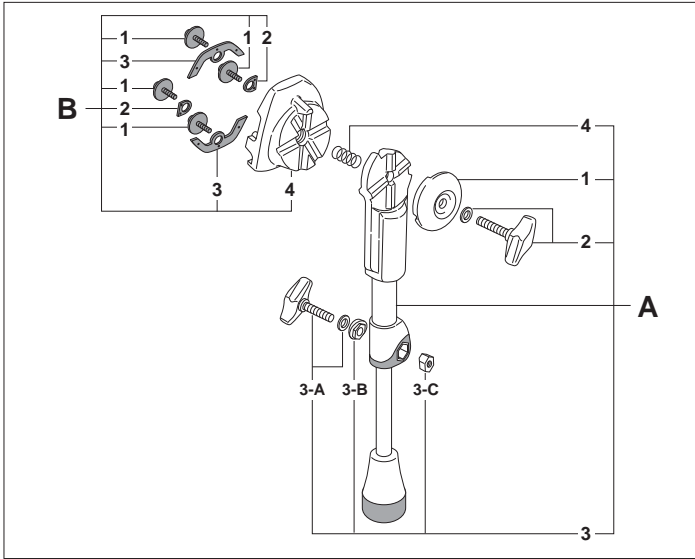
## BB-300/C



- 1 UGN-6 Die-Cast Wing Nut w/Washer (one set)  
 2 SC-394 Clamp Bolt (one each)  
 3 PL-20 Nylon Bushing (one each)  
 4 ZD-43 Clamp, Right Side  
 5 ZD-44 Clamp, Left Side  
 6 PL-26 Rubber Gasket, Left Side for 22" & 24"  
 PL-24 Rubber Gasket, Left Side for 20"  
 7 PL-27 Rubber Gasket, Right Side for 22" & 24"  
 PL-25 Rubber Gasket, Right Side for 20"  
 8 PL-23 Set Plate  
 9 SC-393R Mounting Screw w/Washer (one each)

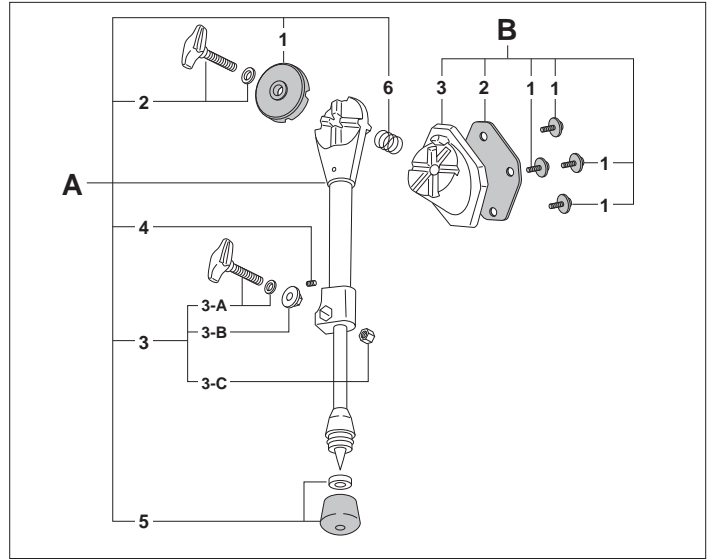
# BASS DRUM SPURS

## SP-300



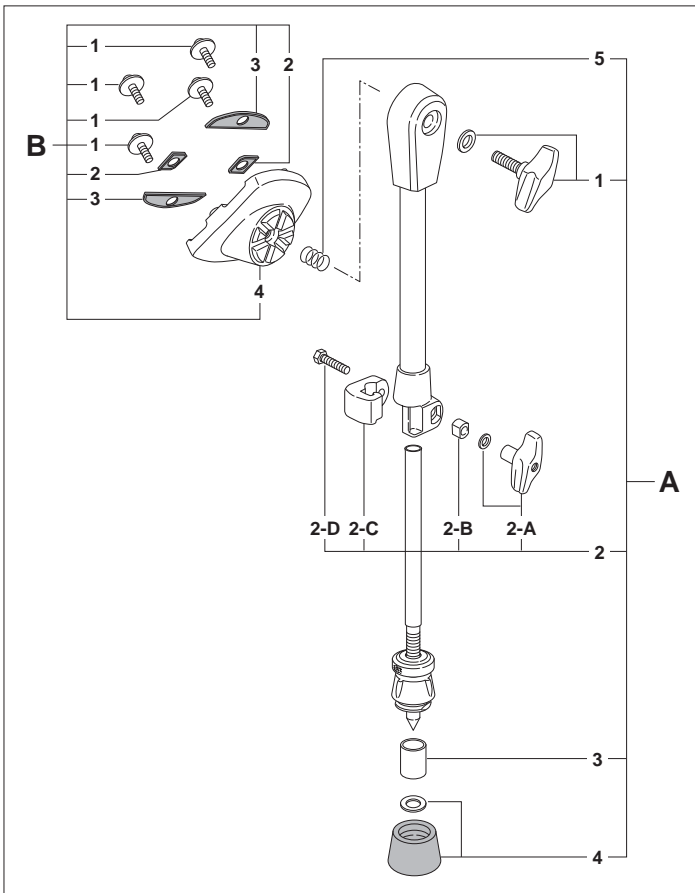
<b>A</b>	<b>SP-300A</b>	<b>Spur Assy. Complete</b>	<b>B</b>	<b>SPB-300</b>	<b>Spur Bracket Complete</b>
1	DC-667	Outer Cap	1	SM-512B	Mounting Screw w/Washer (6 ply-one each)
2	UGB-835	Die-Cast Wing Bolt w/Washer	2	SM-514B	Mounting Screw w/Washer (8 ply-one each)
3	SP-300D	Die-Cast Wing Bolt Set	2	NP-415P	Rubber Gasket (one each)
3-A	UGB-628	Die-Cast Wing Bolt w/Washer	3	NP-414P	Rubber Gasket (one each)
3-B	DC-664	Hexagonal Washer	4	DC-661	Spur Bracket ONLY
3-C	DC-665	Hexagonal Nut			
4	SP-020	Spring			

## SP-30



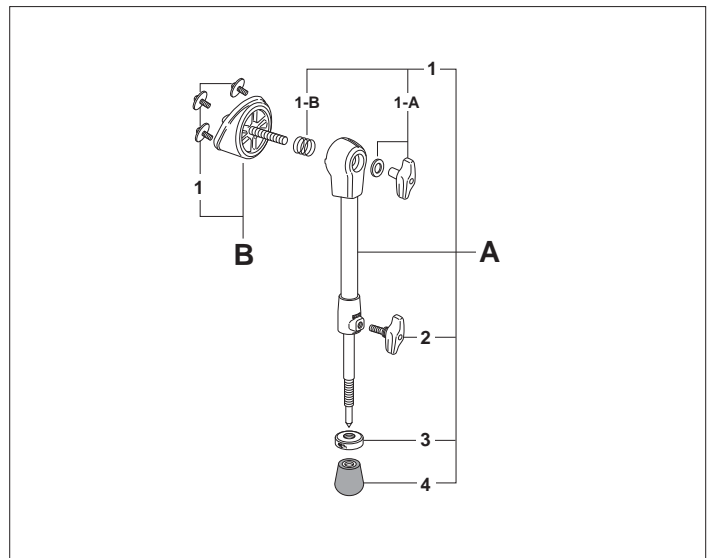
<b>A</b>	<b>SP-30A</b>	<b>Spur Assy. Complete</b>	<b>B</b>	<b>SP-30E</b>	<b>Spur Bracket Complete</b>
1	SP-30C	Outer Cap	1	SM-512B	Mounting Screw w/Washer (one each)
2	UGB-835	Die-Cast Wing Bolt w/Washer	2	NP-244P	Rubber Gasket
3	SP-30D	Die-Cast Wing Bolt Set	3	DC-88	Spur Bracket ONLY
3-A	UGB-628	Die-Cast Wing Bolt w/Washer			
3-B	DC-91	Hexagonal Washer			
3-C	ME-89	Hexagonal Nut			
4	SB-55	Allen Screw			
5	R-30A	Rubber Tip w/Washer			
6	SP-020	Spring			

## BSP-300/C



<b>A</b>	<b>BSP-300AL</b>	<b>Spur Assy. Complete, Left Side</b>	<b>B</b>	<b>BSP-300B</b>	<b>Spur Bracket Complete</b>
<b>A'</b>	<b>BSP-300AR</b>	<b>Spur Assy. Complete, Right Side</b>	1	SM-418B	Mounting Screw w/Washer (one each)
1	UGB-835	Die-Cast Wing Bolt w/Washer	2	PL-15S	Rubber Gasket (one each)
2	BSP-300D	Die-Cast Wing Nut Set	3	PL-15L	Rubber Gasket (one each)
2-A	UGN-6	Die-Cast Wing Nut w/Washer	4	ZD-51	Spur Bracket ONLY
2-B	ZD-56	Collar			
2-C	ZD-55	Receiver Clamp			
2-D	SC-168	Clamp Bolt			
3	P-15022	Socket Pipe			
4	RB-6	Rubber Tip w/Washer			
5	SP-020	Spring			

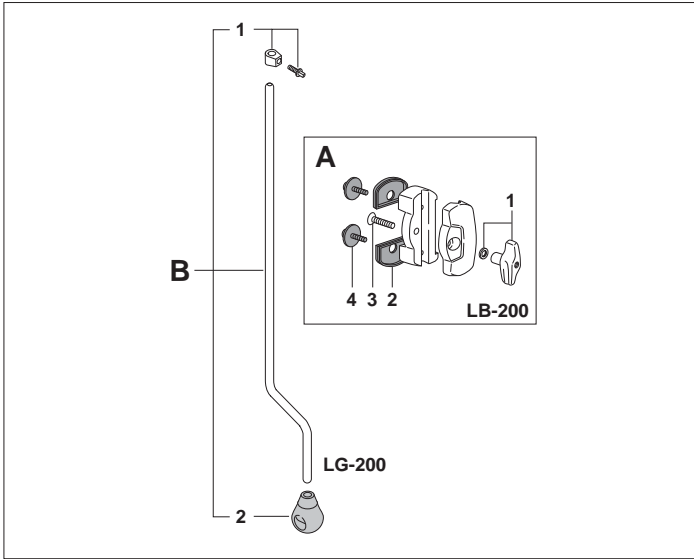
## SP-70



<b>A</b>	<b>SP-70A</b>	<b>Spur Assy. Complete</b>	<b>B</b>	<b>SPB-70A</b>	<b>Spur Bracket Complete</b>
1	SP-20B	Die-Cast Wing Nut w/Washer and Spring	1	S-BA	Mounting Screw w/Washer (one each)
1-A	UGN-8	Die-Cast Wing Nut w/Washer			
1-B	SP-54	Spring			
2	UGB-610	Die-Cast Wing Bolt			
3	RHA-1T	Lock Nut			
4	RHS-1R	Rubber Tip			

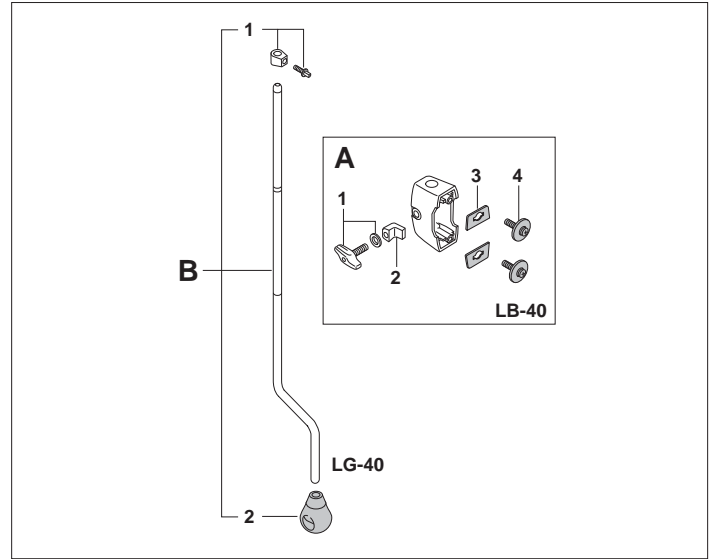
# FLOOR TOM LEG BRACKETS & LEGS

## LB-200/LG-200



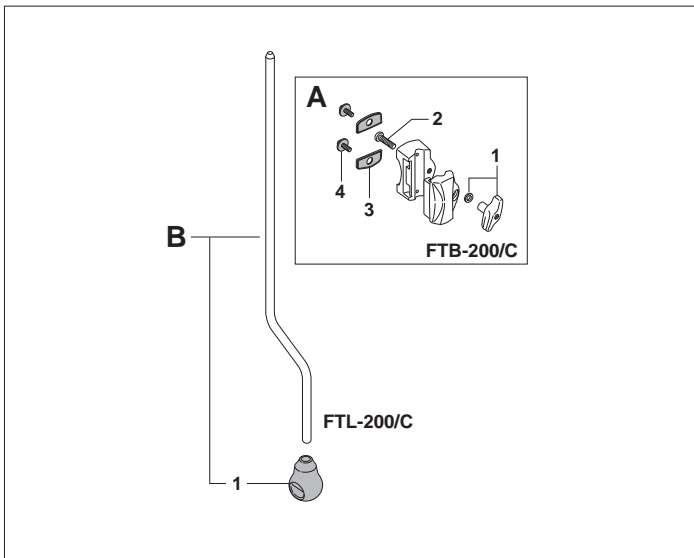
- A LB-200 Floor Tom Leg Bracket Assy. Complete**
- 1 UGN-6 Die-Cast Wing Nut w/Washer
  - 2 NP-413 Rubber Gasket (one each)
  - 3 SC-365 Screw
  - 4 SM-514B Mounting Screw w/Washer
- B LG-200 Floor Tom Leg Complete w/Stop Lock & Rubber Tip**
- 1 LG-02NS Stop Lock Complete
  - 2 R-40 Air Suspension Rubber Tip

## LB-40/LG-40



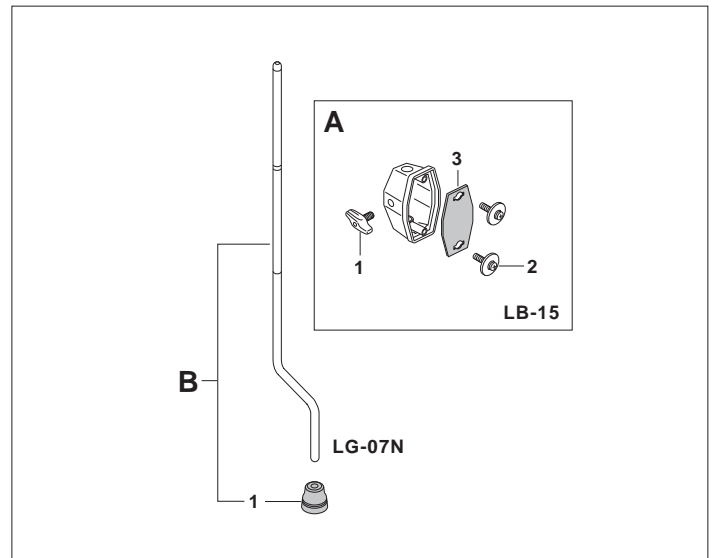
- A LB-40 Floor Tom Leg Bracket Assy. Complete**
- 1 UGB-620 Die-Cast Wing Bolt w/Washer
  - 2 DC-337 Lock Nut
  - 3 NP-245P Rubber Gasket (one each)
  - 4 SM-512BW Mounting Screw w/Washer (4 ply-one each)  
SM-514BW Mounting Screw w/Washer (6 ply-one each)
- B LG-40 Floor Tom Leg Complete w/Stop Lock & Rubber Tip**
- 1 LG-04S Stop Lock Complete
  - 2 R-40 Air Suspension Rubber Tip

## FTB-200/C / FTL-200/C



- A FTB-200/C Floor Tom Leg Bracket Assy. Complete**
- 1 UGN-6 Die-Cast Wing Nut w/Washer
  - 2 SC-165N Screw
  - 3 PL-21 Rubber Gasket (one each)
  - 4 SM-516B Mounting Screw w/Washer (one each)
- B FTL-200/C Floor Tom Leg Complete w/Rubber Tip**
- 1 R-40 Air Suspension Rubber Tip

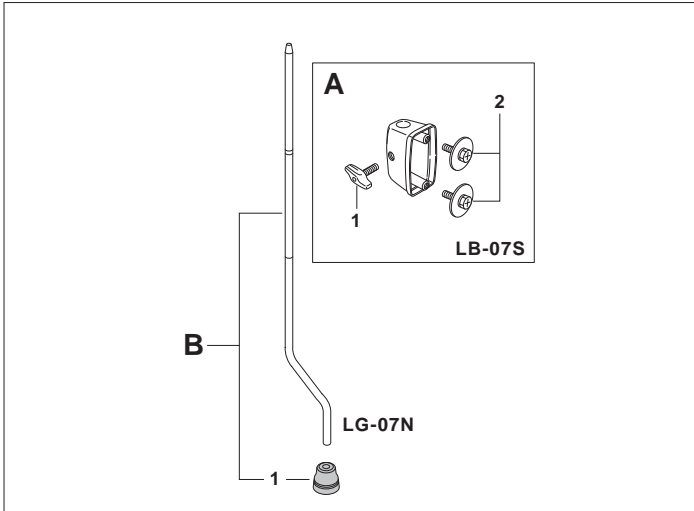
## LB-15/LG-07



- A LB-15 Floor Tom Leg Bracket Assy. Complete**
- 1 UGB-820 Die-Cast Wing Bolt
  - 2 SM-512 Mounting Screw w/Washer (one each)
  - 3 NP-341P Rubber Gasket
- B LG-07N Floor Tom Leg Complete w/Rubber Tip**
- 1 R-5 Rubber Tip

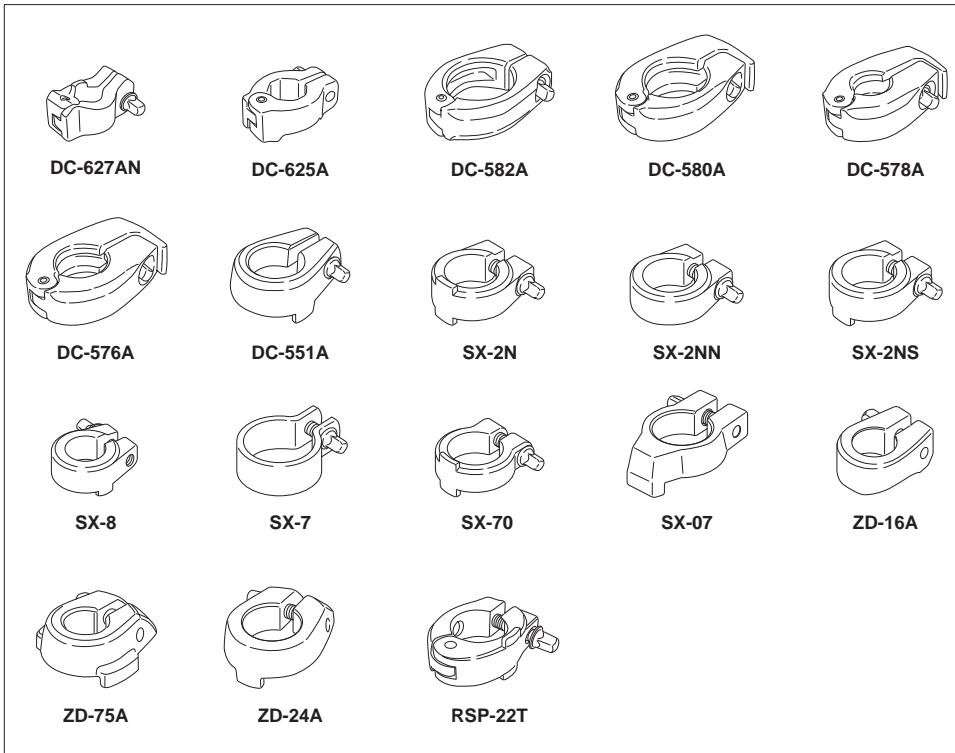
# FLOOR TOM LEG BRACKETS & LEGS

## LB-07/LG-07



- A LB-07S Floor Tom Leg Bracket Assy. Complete**  
 1 UGB-815A Die-Cast Wing Bolt  
 2 LBS-3S Mounting Screw w/Washer (one each)
- B LG-07N Floor Tom Leg Complete w/Rubber Tip**  
 1 R-5 Rubber Tip

## Stop Locks



Number	Application
<b>DC-627AN</b>	BC-2000, CH-2000, CH-2000S
<b>DC-625A</b>	CLH-1000, BC-2000, B-1000, CH-2000, CH-1000
<b>DC-582A</b>	BC-2000, T-2000,
<b>DC-580A</b>	H-2000, H-1000, H-1000K, D-1000SP
<b>DC-578A</b>	BC-2000
<b>DC-576A</b>	BC-2000, T-2000
<b>DC-551A</b>	D-80, D-75
<b>SX-2N</b>	CLH-1000, JG-16, CH-2000, CH-2000S, CH-1000, CH-80, T-2000, T-1000, T-900, TH-2000, TH-2000I, TH-2000S, TH-1000, TH-1000I, TH-1000S, TH-88, TH-88I, TH-88S, UX-80
<b>SX-2NN</b>	H-890, CH-900, T-2000, T-1000, T-900
<b>SX-8</b>	CH-80
<b>SX-7</b>	D-80, D-75, D-70W
<b>SX-70</b>	TH-70
<b>SX-07</b>	D-70W
<b>ZD-16A</b>	B-900, B-890, CH-900
<b>ZD-75A</b>	BC-900, B-900, C-900
<b>ZD-24A</b>	H-900, D-900, BC-900, B-900, C-900, T-900
<b>RSP-22T</b>	TH-900I, TH-900S

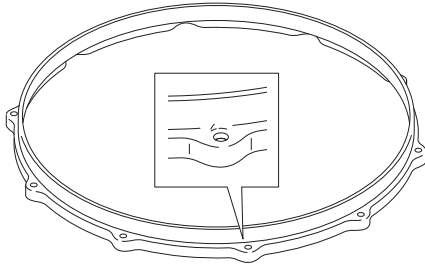
## Snare Wires

Model#	Strands	Size	Material
SN-1320C	20	13"	Ultra-Sound Snare Wire, C-type, w/strap & cord
SN-1420C	20	14"	Ultra-Sound Snare Wire, C-type, w/strap & cord
SN-1442C	42	14"	Ultra-Sound Snare Wire, C-type, w/strap & cord
SN-1320D	20	13"	Ultra-Sound Snare Wire, D-type, w/strap & cord
SN-1420D	20	14"	Ultra-Sound Snare Wire, D-type, w/strap & cord
SN-1442D	42	14"	Ultra-Sound Snare Wire, D-type, w/strap & cord
SN-1320I	20	13"	Ultra-Sound Snare Wire, I-type, w/strap & cord
SN-1420I	20	14"	Ultra-Sound Snare Wire, I-type, w/strap & cord
SN-1442I	42	14"	Ultra-Sound Snare Wire, I-type, w/strap & cord

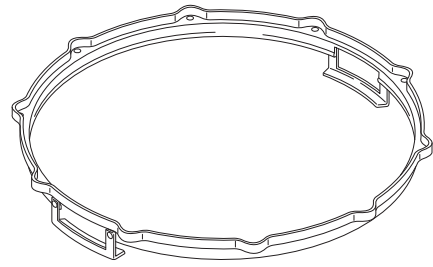
Model#	Strands	Size	Material
S-022	20	14"	High Carbon Steel, Straps
S-022N	20	14"	High Carbon Steel, Cords
S-025	20	14" (for SR-010)	High Carbon Steel
S-029N	20	13"	High Carbon Steel
S-030N	24	14"	High Carbon Steel
S-031N	20	12"	High Carbon Steel
S-032N	12	10"	High Carbon Steel
S-033N	12	12"	High Carbon Steel
S-040	15	14"	Steel, thinner gauge
S-041	15	14"	Bronze, thicker gauge

# HOOPS

## Die-Cast Hoops



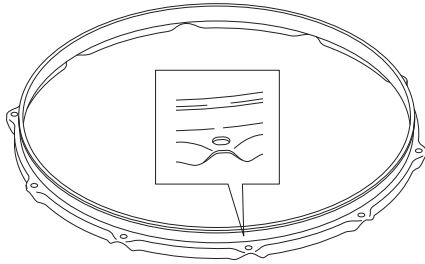
DC-1410



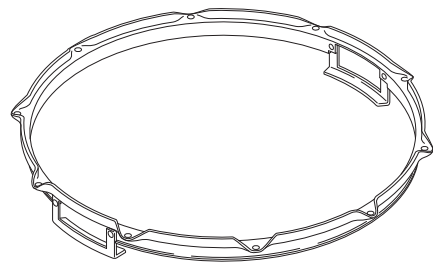
DC-1410SG

Number	Dia.	Description	Number	Dia.	Description
DC-0805	8"	5 rod	DC-1410	14"	10 rod
DC-1006	10"	6 rod	DC-1410S	14"	10 rod, snare side
DC-1206	12"	6 rod	DC-1410SG	14"	10 rod, snare side w/guard
DC-1306	13"	6 rod	DC-1508	15"	8 rod
DC-1408	14"	8 rod	DC-1608	16"	8 rod
DC-1408S	14"	8 rod, snare side	DC-1808	18"	8 rod

## Super Hoop II, Regular Steel Hoops



SH-1410



SH-1410SG

### Super Hoop II

Number	Dia.	Description	Number	Dia.	Description
SH-0604	6"	4 rod	SH-1408	14"	8 rod
SH-0805	8"	5 rod	SH-1408S	14"	8 rod, snare side
SH-1006	10"	6 rod	SH-1410B	14"	10 rod, batter side
SH-1006S	10"	6 rod, snare side	SH-1410S	14"	10 rod, snare side
SH-1206	12"	6 rod	SH-1410SG	14"	10 rod, snare side w/guard
SH-1208	12"	8 rod	SH-1508	15"	8 rod
SH-1208S	12"	8 rod, snare side	SH-1608	16"	8 rod
SH-1306	13"	6 rod	SH-1808	18"	8 rod

### Regular Steel Hoops

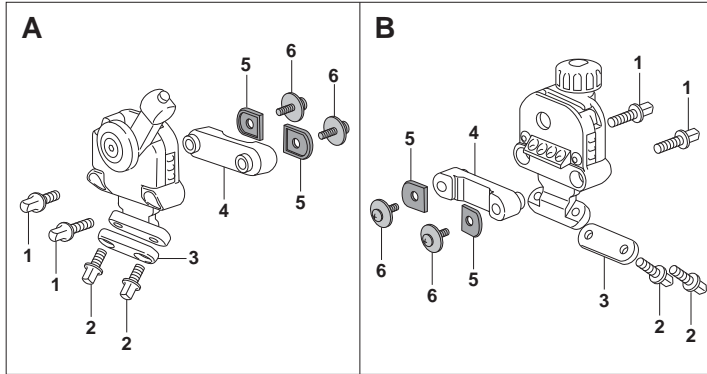
Number	Dia.	Description	Number	Dia.	Description
RIM-0804	8"	4 rod	RIM-1408B	14"	8 rod, batter side
RIM-1006	10"	6 rod	RIM-1408S	14"	8 rod, snare side
RIM-1206	12"	6 rod	RIM-1410B	14"	10 rod, batter side
RIM-1306	13"	6 rod	RIM-1410S	14"	10 rod, snare side
RIM-1308B	13"	8 rod, batter side	RIM-1606	16"	6 rod
RIM-1308S	13"	8 rod, snare side	RIM-1608	16"	8 rod
RIM-1406	14"	6 rod	RIM-1808	18"	8 rod

## Bass Drum Hoops / Hoop Protector

Number	Dia.	Application	Number	Dia.	Application	Number	Dia.	Application	Number	Description
RIM-18W	18"	RF / MMP / MRP	VMXRIM-18	18"	VMX	RIM-18RB	18"	FX / RT	HPP-2	Metal Hoop Protector for Wood BD Hoops
RIM-20	20"	RF / MMP / MRP	VMXRIM-20	20"	VMX	RIM-22RB	22"	FX / RT	NP-347	Hoop Protector for Vision BD Hoops
RIM-22W	22"	RF / MMP / MRP	VMXRIM-22	22"	VMX	RIM-24RB	24"	FX / RT	NP-01	Hoop Protector for Metal BD Hoops
RIM-24W	24"	RF / MMP / MRP	VBX20HP-B	20"	VBX Batter Side					
BMRIM-18	18"	BRP / BMP	VBX20HP-F	20"	VBX Front Side					
BMRIM-20	20"	BRP / BMP	VBX20HP-B	22"	VBX Batter Side					
BMRIM-22	22"	BRP / BMP	VBX20HP-F	22"	VBX Front Side					
BMRIM-24	24"	BRP / BMP	VSX20HP-B	20"	VSX Batter Side					
MCXRIM-18	18"	MCX	VSX20HP-F	20"	VSX Front Side					
MCXRIM-20	20"	MCX	VSX20HP-B	22"	VSX Batter Side					
MCXRIM-22	22"	MCX	VSX20HP-F	22"	VSX Front Side					
MCXRIM-24	24"	MCX	VX20HP-B	20"	VX Batter Side					
			VX20HP-F	20"	VX Front Side					
			VX22HP-B	22"	VX Batter Side					
			VX22HP-F	22"	VX Front Side					

# STRAINERS

## SR-1000



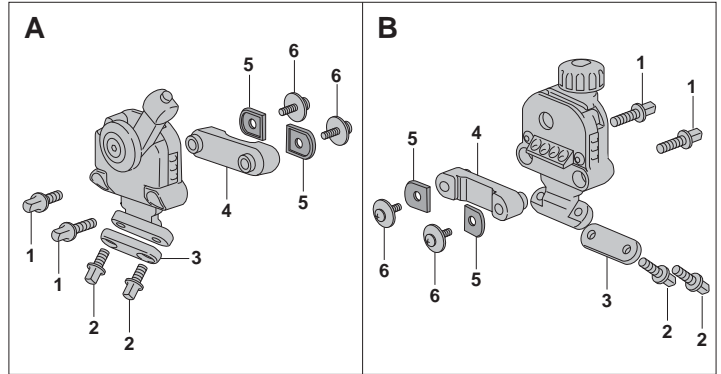
### A SR-1000A Release Side Assy. Complete

- 1 KB-615 Key Bolt (one each)
- 2 KB-510 Key Bolt (one each)
- 3 DC-684 Snare Mounting Plate
- 4 DC-685 Snare Setting Plate
- 5 NP-432P Rubber Gasket (one each)
- 6 SM-409 Mounting Screw w/Washer (Metal shell-one each)
- SM-430B Mounting Screw w/Washer (20 ply-one each)

### B SR-1000E Butt Side Assy. Complete

- 1 KB-615 Key Bolt (one each)
- 2 KB-510 Key Bolt (one each)
- 3 DC-684 Snare Mounting Plate
- 4 DC-685 Snare Setting Plate
- 5 NP-432P Rubber Gasket (one each)
- 6 SM-409 Mounting Screw w/Washer (Metal shell-one each)
- SM-430B Mounting Screw w/Washer (20 ply-one each)

## SR-1000/B (Black Chrome)



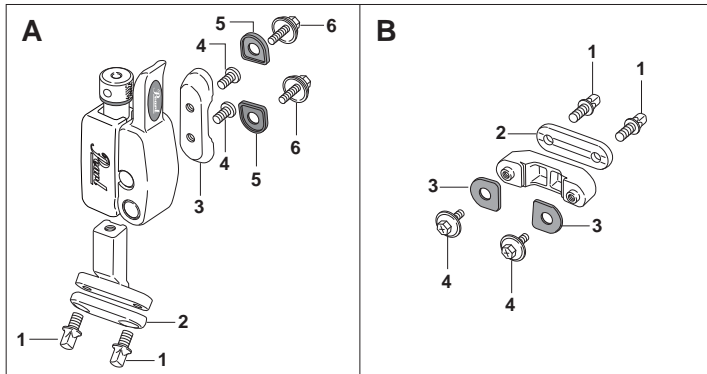
### A SR-1000A/B Release Side Assy. Complete

- 1 KB-615B Key Bolt (one each)
- 2 KB-510B Key Bolt (one each)
- 3 DC-684B Snare Mounting Plate
- 4 DC-685B Snare Setting Plate
- 5 NP-432P Rubber Gasket (one each)
- 6 SM-409 Mounting Screw w/Washer (Metal shell-one each)

### B SR-1000E/B Butt Side Assy. Complete

- 1 KB-615B Key Bolt (one each)
- 2 KB-510B Key Bolt (one each)
- 3 DC-684B Snare Mounting Plate
- 4 DC-685B Snare Setting Plate
- 5 NP-432P Rubber Gasket (one each)
- 6 SM-409 Mounting Screw w/Washer (Metal shell-one each)

## SR-900



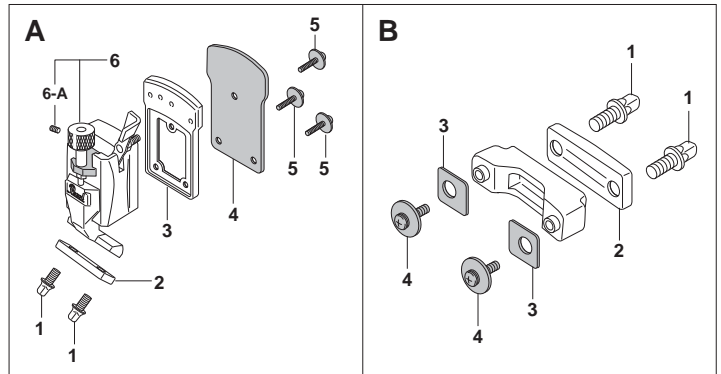
### A SR-900A Release Side Assy. Complete

- 1 KB-510 Key Bolt (one each)
- 2 ZD-12 Snare Mounting Plate
- 3 ZD-6 Snare Setting Plate
- 4 SC-391 Screw (one each)
- 5 PL-13 Rubber Gasket (one each)
- 6 SM-408C Mounting Screw w/Washer (one each)

### B SR-900B Butt Side Assy. Complete

- 1 KB-510 Key Bolt (one each)
- 2 ZD-12 Snare Mounting Plate
- 3 PL-13 Rubber Gasket (one each)
- 4 SM-408C Mounting Screw w/Washer (one each)

## SR-020



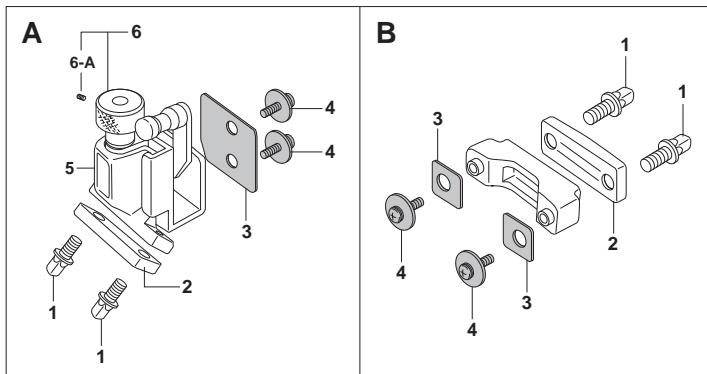
### A SR-20A Release Side Assy. Complete

- 1 KB-510 Key Bolt (one each)
- 2 SR-12D Snare Mounting Plate
- 3 DC-408 Trace Plate
- 4 NP-328P Rubber Gasket
- 5 SM-418B Mounting Screw w/Washer (one each)
- 6 ME-226A Adjustment Bolt, Complete
- 6-A SB-44 Allen Screw

### B SR-18E Butt Side Assy. Complete

- 1 KB-510 Key Bolt (one each)
- 2 SR-12D Snare Mounting Plate
- 3 NP-251P Rubber Gasket (one each)
- 4 SM-411B Mounting Screw w/Washer (one each)

## SR-018



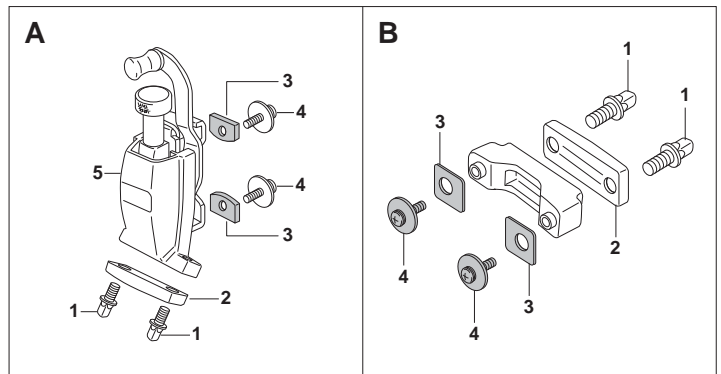
### A SR-18A Release Side Assy. Complete

- 1 KB-508 Key Bolt (one each)
- 2 SR-12D Snare Mounting Plate
- 3 NP-250P Rubber Gasket
- 4 SM-414B Mounting Screw w/Washer (6 ply-one each)
- SM-416B Mounting Screw w/Washer (8 ply-one each)
- SM-411C Mounting Screw w/Washer (Metal shell-one each)
- 5 DC-457 Strainer Cover
- 6 ME-454A Adjustment Bolt, Complete
- 6-A SB-44 Allen Screw

### B SR-18E Butt Side Assy. Complete

- 1 KB-510 Key Bolt (one each)
- 2 SR-12D Snare Mounting Plate
- 3 NP-251P Rubber Gasket (one each)
- 4 SM-414B Mounting Screw w/Washer (6 ply-one each)
- SM-416B Mounting Screw w/Washer (8 ply-one each)
- SM-411C Mounting Screw w/Washer (Metal shell-one each)

## SR-017



### A SR-17A Release Side Assy. Complete

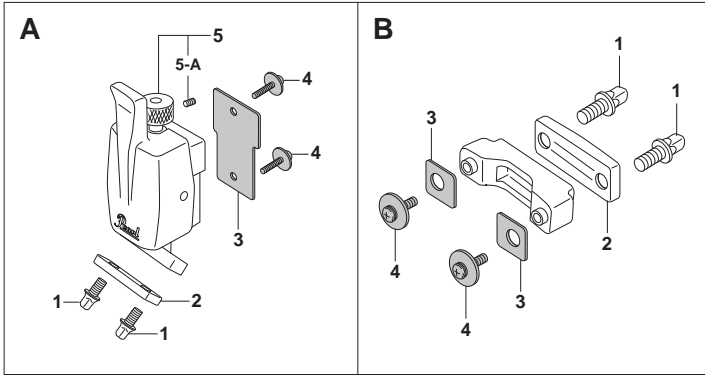
- 1 KB-510 Key Bolt (one each)
- 2 SR-12D Snare Mounting Plate
- 3 NP-249P Rubber Gasket (one each)
- 4 SM-513B Mounting Screw w/Washer (6 ply-one each)
- SM-520B Mounting Screw w/Washer (10 ply-one each)
- SM-507 Mounting Screw w/Washer (Metal shell-one each)
- 5 DC-440 Strainer Cover

### B SR-18E Butt Side Assy. Complete

- 1 KB-510 Key Bolt (one each)
- 2 SR-12D Snare Mounting Plate
- 3 NP-251P Rubber Gasket (one each)
- 4 SM-414B Mounting Screw w/Washer (6 ply-one each)
- SM-420B Mounting Screw w/Washer (10 ply-one each)
- SM-411C Mounting Screw w/Washer (Metal shell-one each)

# STRAINERS

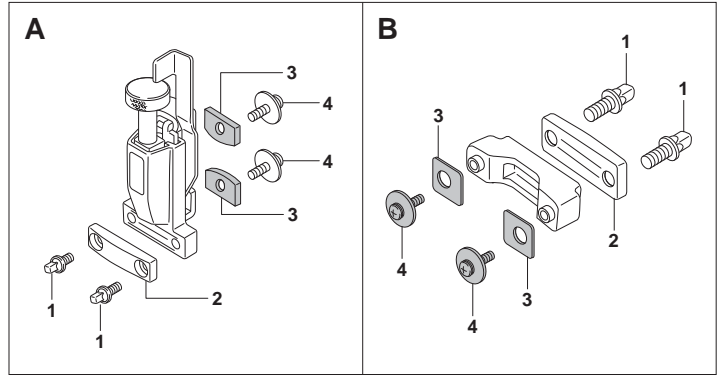
## SR-015



- A SR-15A Release Side Assy. Complete**
- 1 KB-510 Key Bolt (one each)
  - 2 SR-12D Snare Mounting Plate
  - 3 NP-248P Rubber Gasket
  - 4 SM-414B Mounting Screw w/Washer (4 ply-one each)  
SM-416B Mounting Screw w/Washer (6 ply-one each)  
SM-418B Mounting Screw w/Washer (8 ply-one each)  
SM-409 Mounting Screw w/Washer (Metal shell-one each)
  - 5 ME-376A Adjustment Bolt, Complete
  - 5-A SB-44 Allen Screw

- B SR-18E Butt Side Assy. Complete**
- 1 KB-510 Key Bolt (one each)
  - 2 SR-12D Snare Mounting Plate
  - 3 GK-18SB Gasket (one each)
  - 4 SM-411B Mounting Screw w/Washer (4 ply-one each)  
SM-414B Mounting Screw w/Washer (6 ply-one each)  
SM-416B Mounting Screw w/Washer (8 ply-one each)  
SM-411C Mounting Screw w/Washer (Metal shell-one each)

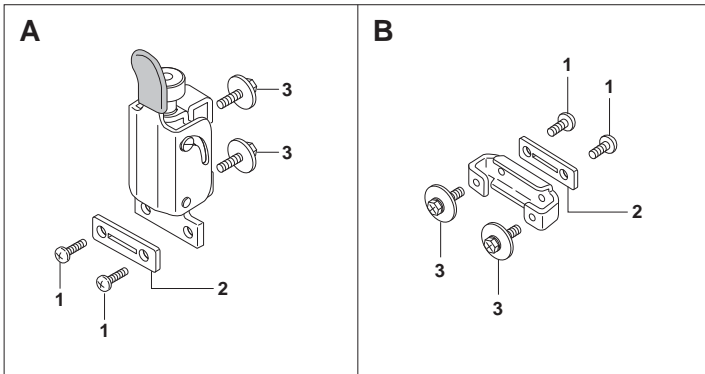
## SR-014N



- A SR-14AN Release Side Assy. Complete**
- 1 KB-510 Key Bolt (one each)
  - 2 SR-12D Snare Mounting Plate
  - 3 NP-326P Rubber Gasket (one each)
  - 4 SM-514 Mounting Screw w/Washer (6 ply-one each)  
SM-507 Mounting Screw w/Washer (Metal shell-one each)

- B SR-18E Butt Side Assy. Complete**
- 1 KB-510 Key Bolt (one each)
  - 2 SR-12D Snare Mounting Plate
  - 3 NP-251P Rubber Gasket (one each)
  - 4 SM-414B Mounting Screw w/Washer (6 ply-one each)  
SM-411C Mounting Screw w/Washer (Metal shell-one each)

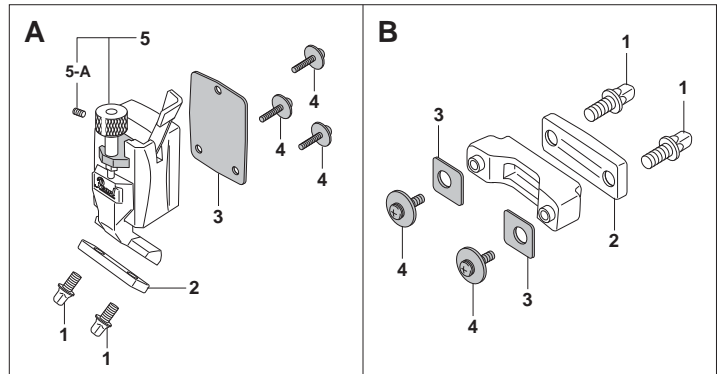
## SR-013



- A SR-13A Release Side Assy. Complete**
- 1 SC-7C Screw (one each)
  - 2 PR-621 Snare Mounting Plate
  - 3 SM-416 Mounting Screw w/Washer (one each)

- B SR-13E Butt Side Assy. Complete**
- 1 SC-7C Screw (one each)
  - 2 PR-621 Snare Mounting Plate
  - 3 SM-416 Mounting Screw w/Washer (one each)

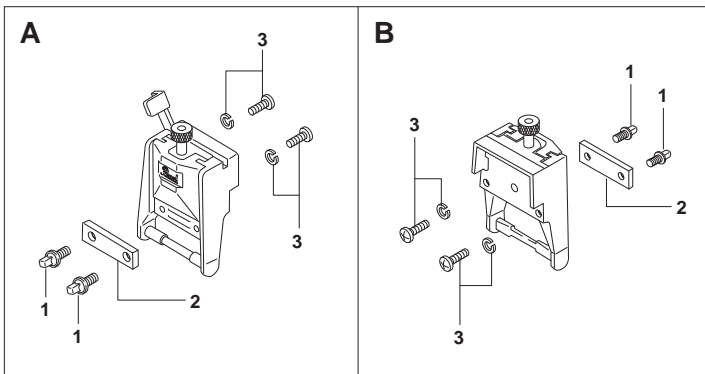
## SR-012



- A SR-12A Release Side Assy. Complete**
- 1 KB-510 Key Bolt (one each)
  - 2 SR-12D Snare Mounting Plate
  - 3 NP-329P Rubber Gasket
  - 4 SM-414B Mounting Screw w/Washer (4 ply-one each)  
SM-416B Mounting Screw w/Washer (6 ply-one each)  
SM-409 Mounting Screw w/Washer (Metal shell-one each)
  - 5 ME-226A Adjustment Bolt, Complete
  - 5-A SB-44 Allen Screw

- B SR-18E Butt Side Assy. Complete**
- 1 KB-510 Key Bolt (one each)
  - 2 SR-12D Snare Mounting Plate
  - 3 NP-251P Rubber Gasket (one each)
  - 4 SM-411B Mounting Screw w/Washer (4 ply-one each)  
SM-414B Mounting Screw w/Washer (6 ply-one each)  
SM-411C Mounting Screw w/Washer (Metal shell-one each)

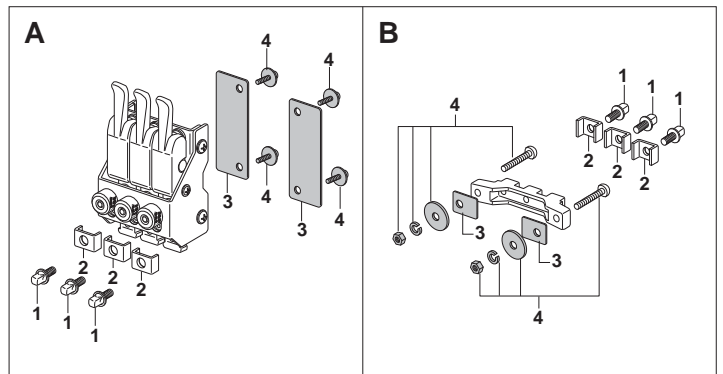
## SR-010



- A SR-10A Release Side Assy. Complete**
- 1 KB-510 Key Bolt (one each)
  - 2 SR-16C Snare Mounting Plate
  - 3 SN-612 Mounting Screw w/Washer (one each)

- B SR-10B Butt Side Assy. Complete**
- 1 KB-510 Key Bolt (one each)
  - 2 SR-16C Snare Mounting Plate
  - 3 SN-612 Mounting Screw w/Washer (one each)

## SR-300



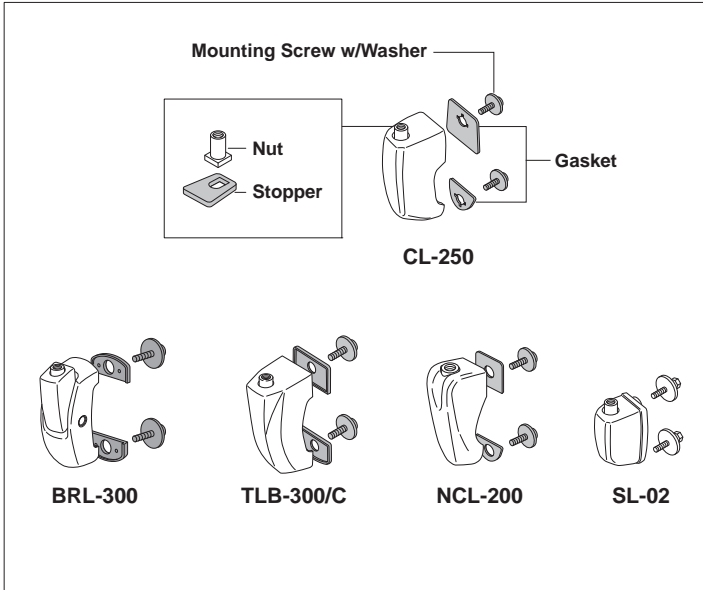
- A SR-300A Release Side Assy. Complete**
- 1 KB-508 Key Bolt (one each)
  - 2 DC-463 Snare Mounting Plate (one each)
  - 3 GA-53 Gasket (one each)
  - 4 SM-414B Mounting Screw w/Washer (one each)

- B SR-300E Butt Side Assy. Complete**
- 1 KB-508 Key Bolt (one each)
  - 2 DC-463 Snare Mounting Plate (one each)
  - 3 GA-52 Gasket (one each)
  - 4 SC-508-AC Washer & Nut w/Mounting Screw (one set)



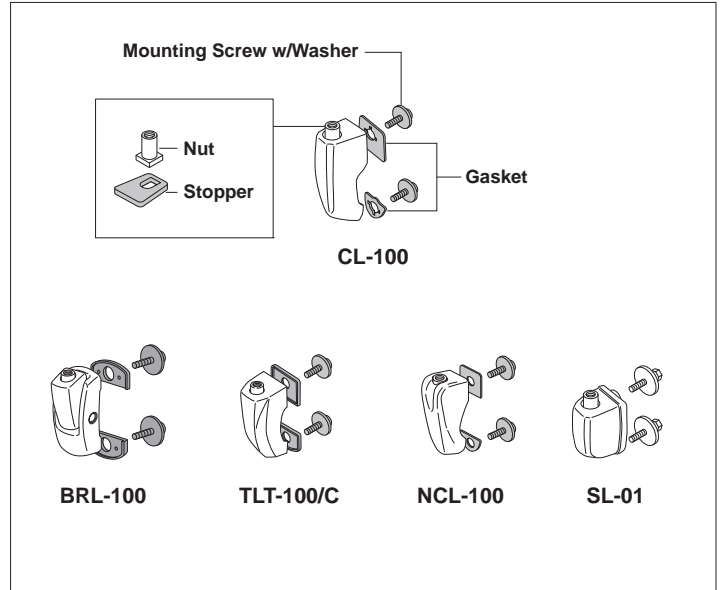
# LUGS, BOLTS, TENSION CLAWS

## Lugs for Bass Drum



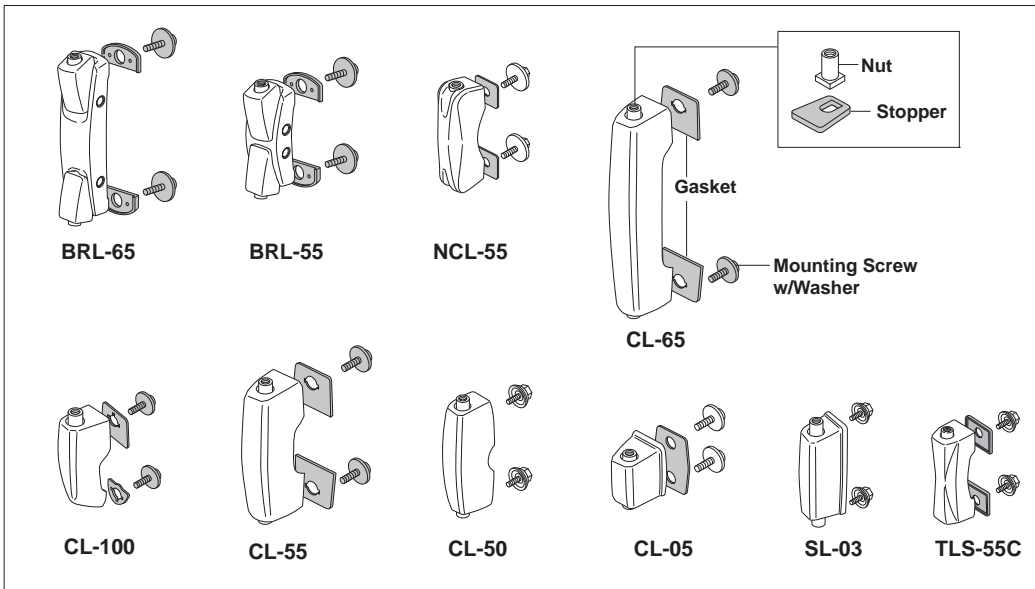
Number	Nut	Stopper	Gasket	Screw	Application
BRL-300	DC-5US	NP-408	NP-408P (one each)	SM-416B SM-414B	8PLY 6PLY
TLB-300/C	DC-6FE	PL-17	PL-18F (Large) PL-18R (Small)	SM-418B	VISION Bass Drum
NCL-200	DC-5FE	NP-225	NP-396P (Large) NP-397P (Small)	SM-414B	6PLY
CL-250	DC-5US	NP-225	NP-262P (Large) NP-263P (Small)	SM-411B SM-414B	4PLY 6PLY
SL-02	DC-6FE	NP-607	---	SM-411	FX Bass Drum

## Lugs for Tom Toms



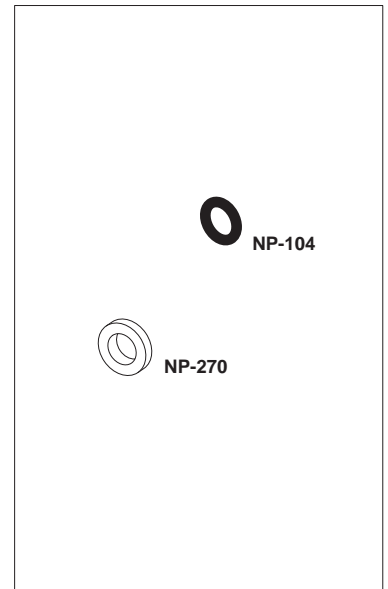
Number	Nut	Stopper	Gasket	Screw	Application
BRL-100	DC-6RS	NP-408	NP-410P (one each)	SM-416B SM-414B	8PLY 6PLY
CL-100	DC-6US	NP-135N	NP-240P (Large) NP-241P (Small)	SM-411B SM-414B	4PLY 6PLY
TLT-100/C	DC-6FE	PL-16	PL-19F (Large) PL-19R (Small)	SM-414B SM-418B	6PLY 8PLY
NCL-100	DC-6FE	NP-135N	NP-398P (Large) NP-399P (Small)	SM-414B	6PLY
SL-01	DC-6FE	NP-135N	---	SM-411	FX

## Lugs for Snare Drum



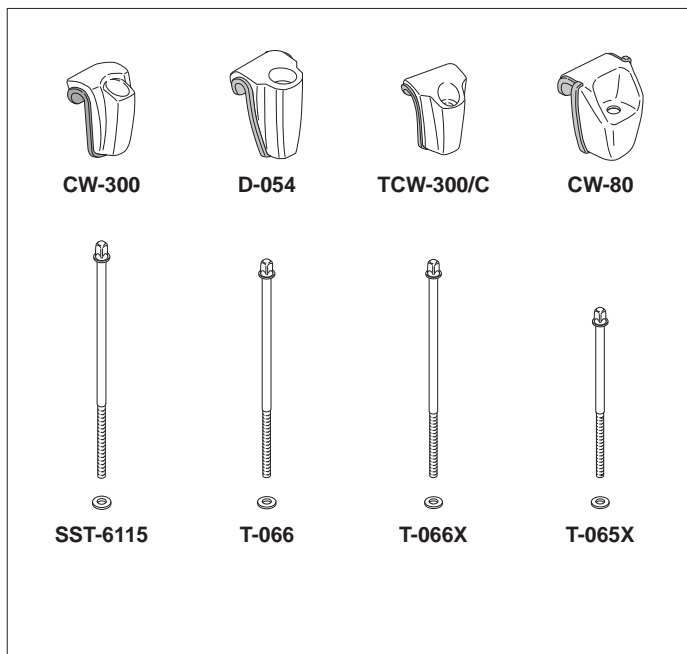
Number	Nut	Stopper	Gasket	Screw	Application
BRL-65	DC-6RS	NP-408	NP-410P	SM-411C SM-411B	METAL WOOD 4PLY WOOD 6PLY RF 20PLY
BRL-55	DC-6RS	NP-408	NP-410P	SM-411C SM-411B	METAL WOOD 4PLY WOOD 6PLY RF 20PLY
TLS-55/C	DC-6FE	PL-16	PL-19F	SM-408C	---
NCL-55	DC-6FE	NP-81B	NP-400P	SM-411C SM-411B	SM-414B ---
CL-100	DC-6US	NP-135N	NP-240P (Large) NP-241P (Small)	SM-411C SM-411B	SM-414B ---
CL-65	DC-6US	NP-135N	NP-240P	SM-411C SM-411B	SC-414B ---
CL-55	DC-6US	NP-135N	NP-240P	SM-411C SM-411B	SC-414B ---
CL-50	DC-6FE	NP-135N	---	SM-411C	---
CL-05	ME-256US	NP-135N	NP-257P	SM-411C SM-411B	SM-414B ---
SL-03	DC-6FE	NP-135N	---	SM-411C	---
TLS-55C	DC-6FE	NP-135N	---	SM-411C	---

## IP1465 Parts



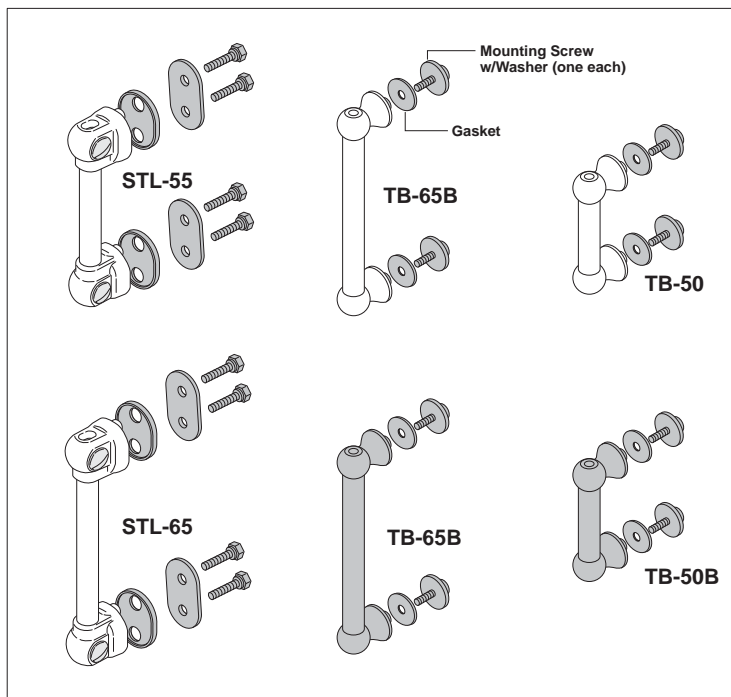
Number	Description
NP-104	Rubber O Ring
NP-270	Fiber Washer

## Bass Drum Tension Claws & Bolts



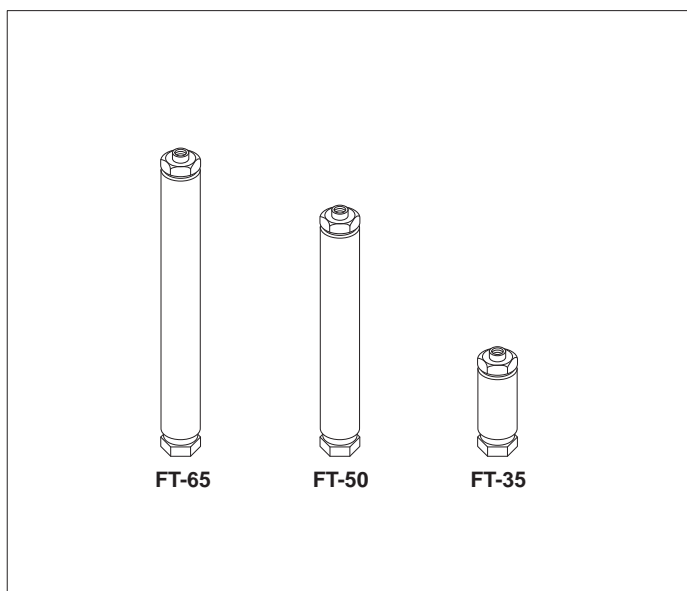
Number	Application
CW-300	RF / Masters Premium
D-054	Masters MCX / VMX
TCW-300/C	VBX
CW-80	VSX / VX / FZ
SST-6115	M6 x 115mm for RF / Masters Premium
T-066	M6 x 115mm for Masters MCX
T-066X	W7/32 x 110mm for VISION
T-065X	W7/32 x 90mm for FZ

## Tube Lugs



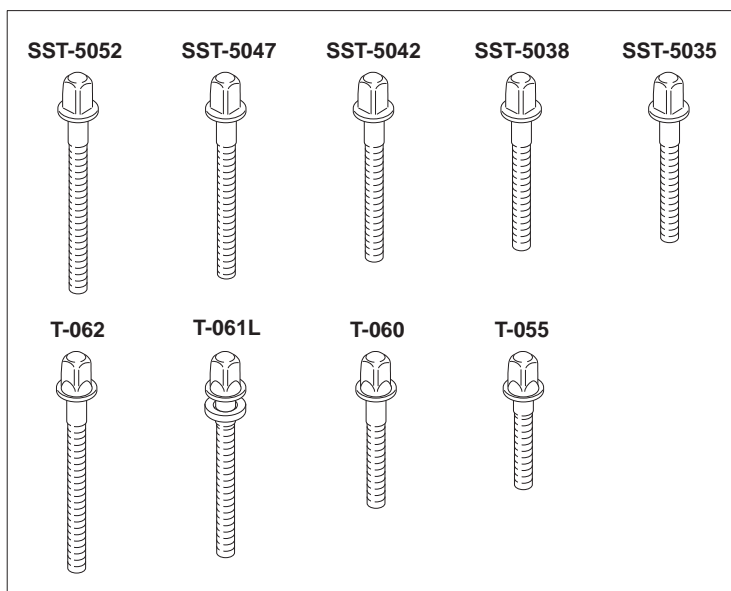
Number	Application
TB-50	Tube Lug Assy. Complete for VG1450
TB-50B	Tube Lug Assy. Complete for UCA1450/B
TB-65B	Tube Lug Assy. Complete for UCA1465/B
TB-65	Tube Lug Assy. Complete for IP1465
STL-55	Swivel Tube Lug Assy. Complete for Masters Premium
STL-65	Swivel Tube Lug Assy. Complete for Masters Premium

## Tubes for "F.F.S" Snare Drum



Number	Application
FT-35	Tube Assy. Complete for 3.5" deep
FT-50	Tube Assy. Complete for 5" deep
FT-65	Tube Assy. Complete for 6.5" deep

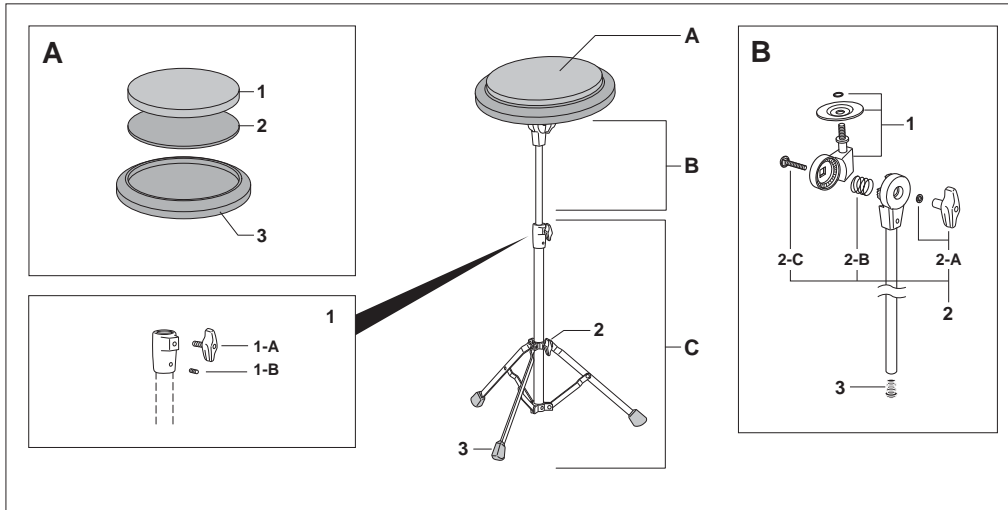
## Tension Key Rods w/Washer



Number	Dia X Length	Application
SST-5055	W7/32 x 55mm	Masters Premium 5.5" Deep Snare Drums
SST-5047	W7/32 x 47mm	RF Snare Drums, Masters Premium 6.5" Deep Snare Drums, Reference / Masters Premium TT & FT, SensiTone Elite Snare Drums, CS1450, OH1350, DC1465, ES1465, JJ1365, JD1455, MM1062, MR1450
SST-5042	W7/32 x 42mm	UCA Snare Drums, 5" & 6.5" Deep FFS Snare Drums, M1040, IP1465, TR1465, VG1450, M1040, M1440
SST-5035	W7/32 x 35mm	3.5" Deep FFS Snare Drums, M1060
T-062	W7/32 x 52mm	MCX1455S/C, VMX1455S/C, SS1455S/C, SH1455S/C, FZ1455S/C, VBX / VSX / VX TT & FT
T-061L	W7/32 x 47mm	FCP / FCS Snare Drums, MCX1465S/C, MCX / VMX / FZ TT & FT
T-060	W7/32 x 35mm	FS1435B/C
T-055	W7/32 x 28mm	M1330, B1330, S1330B

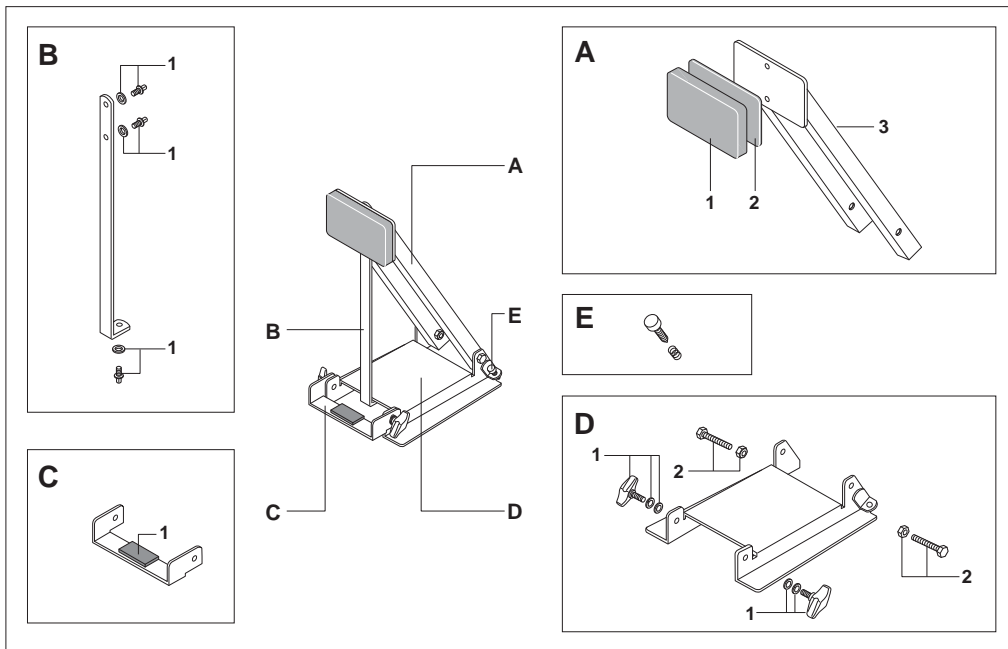
# PRACTICE PADS

## SD-50



- |          |                |                                  |
|----------|----------------|----------------------------------|
| <b>A</b> | <b>PAD-80</b>  | <b>Practice Pad Complete</b>     |
| 1        | NP-202         | Rubber Pad                       |
| 2        | NP-202N        | Rubber Cushion                   |
| 3        | NP-203         | Base                             |
| <b>B</b> | <b>SDU-5A</b>  | <b>Upper Tube Assy. Complete</b> |
| 1        | TL-70RDN       | Tilter w/Washer & Rubber O-Ring  |
| 2        | SN-70A         | Bolt & Nut Set w/Spring          |
| 2-A      | UGN-8          | Die-Cast Wing Nut w/Washer       |
| 2-B      | SP-17          | Spring                           |
| 2-C      | SC-33          | Clamp Bolt                       |
| 3        | NP-212         | Plastic End Cap                  |
| <b>C</b> | <b>BA-50SS</b> | <b>Base Assy. Complete</b>       |
| 1        | DJ-45A         | Die-Cast Joint Assy. Complete    |
| 1-A      | UGB-815        | Die-Cast Wing Bolt               |
| 1-B      | SB-44          | Allen Screw                      |
| 2        | UGB-820        | Die-Cast Wing Bolt               |
| 3        | NP-12          | Rubber Tip (one each)            |

## BD-10



- |          |               |  |
|----------|---------------|--|
| <b>A</b> | <b>DP-10</b>  | <b>Pad Assy. Complete</b>              |
| 1        | NP-201        | Rubber Pad                             |
| 2        | NP-201N       | Rubber Cushion                         |
| 3        | DP-10B        | Base                                   |
| <b>B</b> | <b>BSB-10</b> | <b>Supporting Bar Assy. Complete</b>   |
| 1        | KB-610W       | Key Bolt w/Washer (one set)            |
| <b>C</b> | <b>CP-10</b>  | <b>Clamp Plate Complete</b>            |
| 1        | NP-140        | Rubber Protector                       |
| <b>D</b> | <b>BFP-10</b> | <b>Floor Plate Assy. Complete</b>      |
| 1        | UGB-610W      | Die-Cast Wing Bolt w/Washers (one set) |
| 2        | SC-144A       | Mounting Screw w/Nut (one set)         |
| <b>E</b> | <b>LT-636</b> | <b>Anchor Screw w/Spring</b>           |