



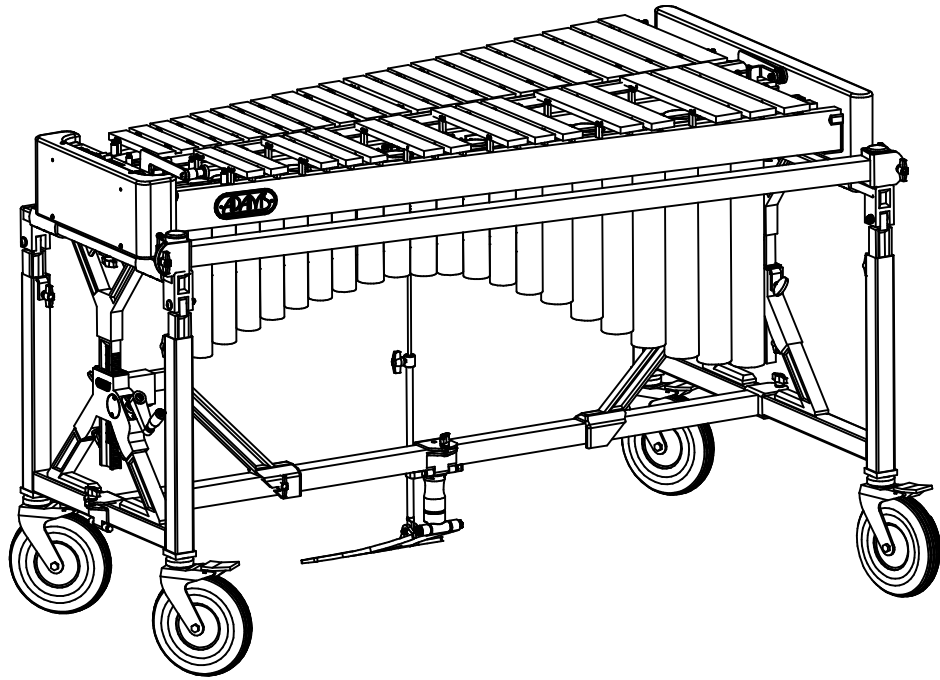
Adams Musical Instruments



**Replacement Parts Catalog
- Vibraphone -**

June 2007

Table of Contents



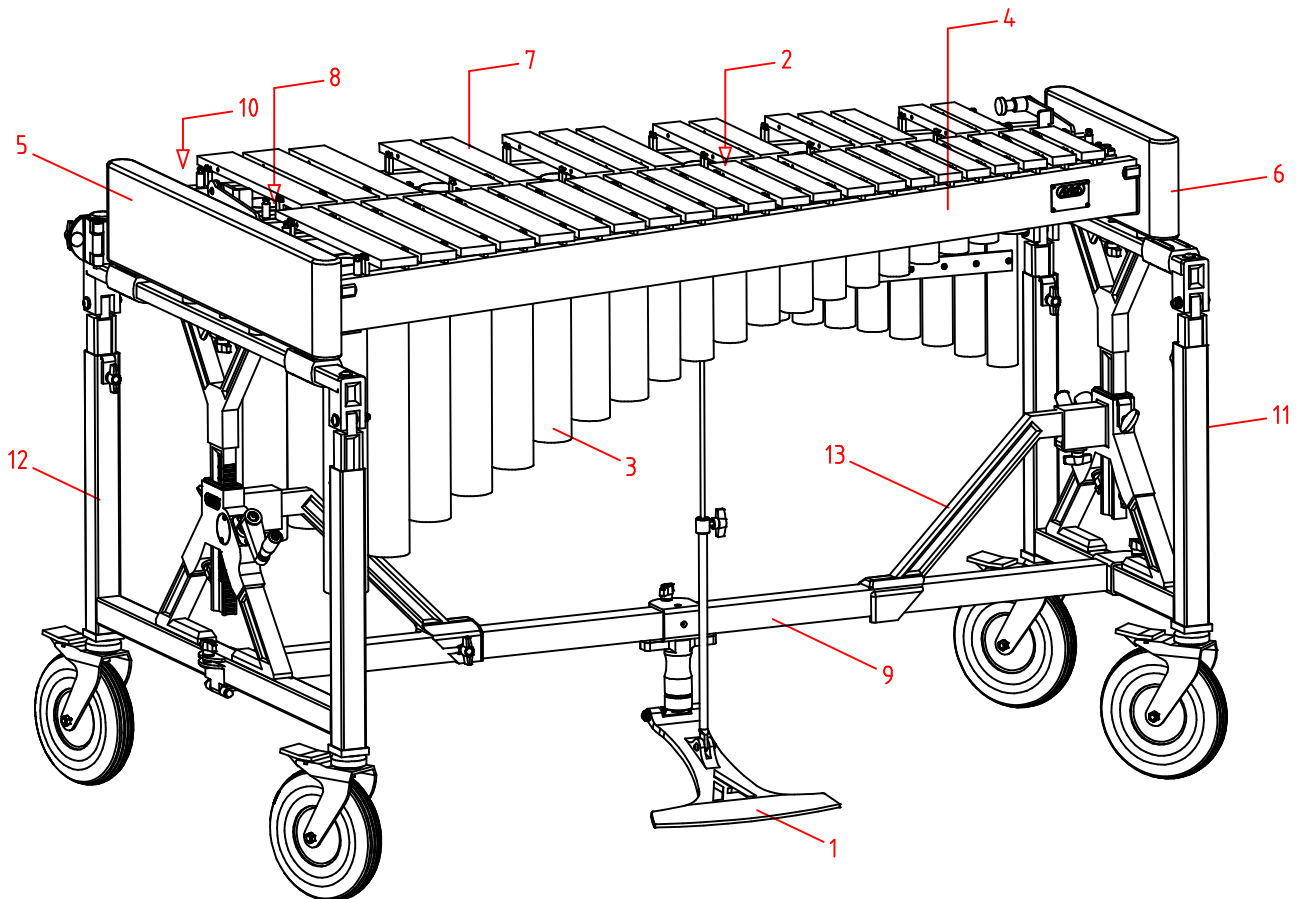
Cat#	Description	More information
Artist Vibraphones		
VANF30	Vibraphone Artist field frame, no motor	page 2
VANT30	Vibraphone Artist traveller frame, no motor	page 3
VAWF30	Vibraphone Artist field frame, with motor	page 4
VAWT30	Vibraphone Artist traveller frame, with motor	page 5
Concert Vibraphones		
VCNF30	Vibraphone Concert field frame, no motor	page 6
VCNV30	Vibraphone Concert voyager frame, no motor	page 7
VCWF30	Vibraphone Concert field frame, with motor	page 8
VCWV30	Vibraphone Concert voyager frame, with motor	page 9
Solist Vibraphones		
VSNV31	Vibraphone Solist voyager frame, no motor	page 10
VSWV31	Vibraphone Solist voyager frame, with motor	page 11

Vibraphone VANF30

Field frame

No motor

Cat#	Description
VANF30	Vibraphone Artist F3-F6, 3 oct. field frame, no motor

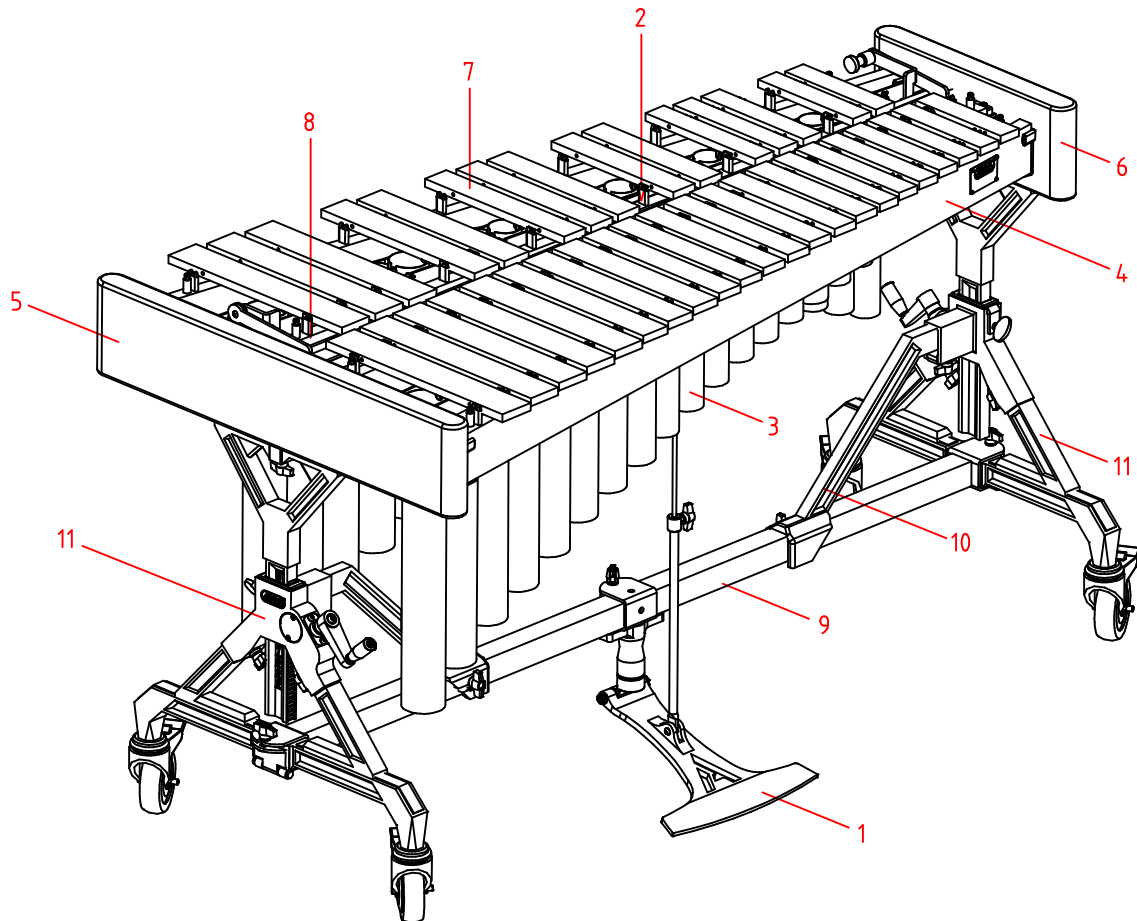


Pos#	Cat#	Description	More information
1	362	Pedal field frame / traveller assembled	page 12
2	366	Damper mechanism vibraphone	page 13
3	336	Set of resonators for vibraphone Artist without motor	page 13
4	325	Set of rails for vibraphone Artist	page 15
5	310	Large end piece for vibraphone Artist	page 18
6	312	Small end piece for vibraphone Artist without motor	page 18
7	344	Set of bars for vibraphone Artist/Concert, F3-F6	page 20
8	PVA01	Dampening rail complete	page 21
9	PVA02	Bottom beam for vibraphone field frame/traveller without motor	page 21
10	PVA06	Upper beam for vibraphone field frame/traveller without motor	page 21
11	PMA12	Small side piece field frame	page 23
12	PMA13	Large side piece field frame	page 23
13	119	Shore (set of two)	-

Vibraphone VANT30

Traveller frame
No motor

Cat#	Description
VANT30	Vibraphone Artist F3-F6, 3 oct. traveller frame, no motor

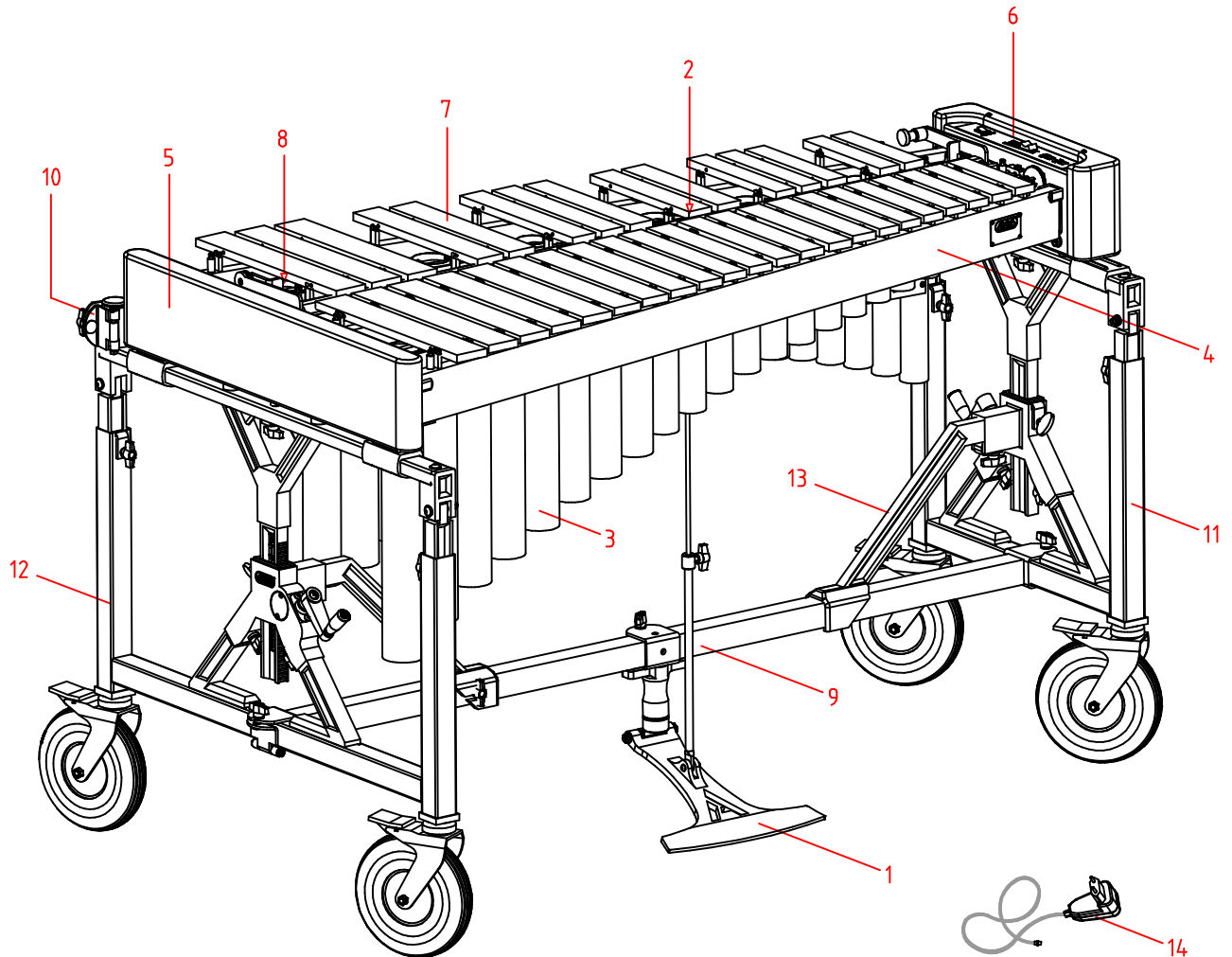


Pos#	Cat#	Description	More information
1	362	Pedal field frame / traveller assembled	page 12
2	366	Damper mechanism vibraphone	page 13
3	336	Set of resonators for vibraphone Artist without motor	page 13
4	325	Set of rails for vibraphone Artist	page 15
5	310	Large end piece for vibraphone Artist	page 18
6	312	Small end piece for vibraphone Artist without motor	page 18
7	344	Set of bars for vibraphone Artist/Concert, F3-F6	page 20
8	PVA01	Dampening rail complete	page 21
9	PVA02	Bottom beam for vibraphone field frame/traveller without motor	page 21
10	119	Shore (set of two) for traveller / field frame	-
11	370	Side piece for vibraphone traveller frame	page 22

Vibraphone VAWF30

Field frame
With motor

Cat# Description
VAWF30 Vibraphone Artist F3-F6, 3 oct. field frame, with motor

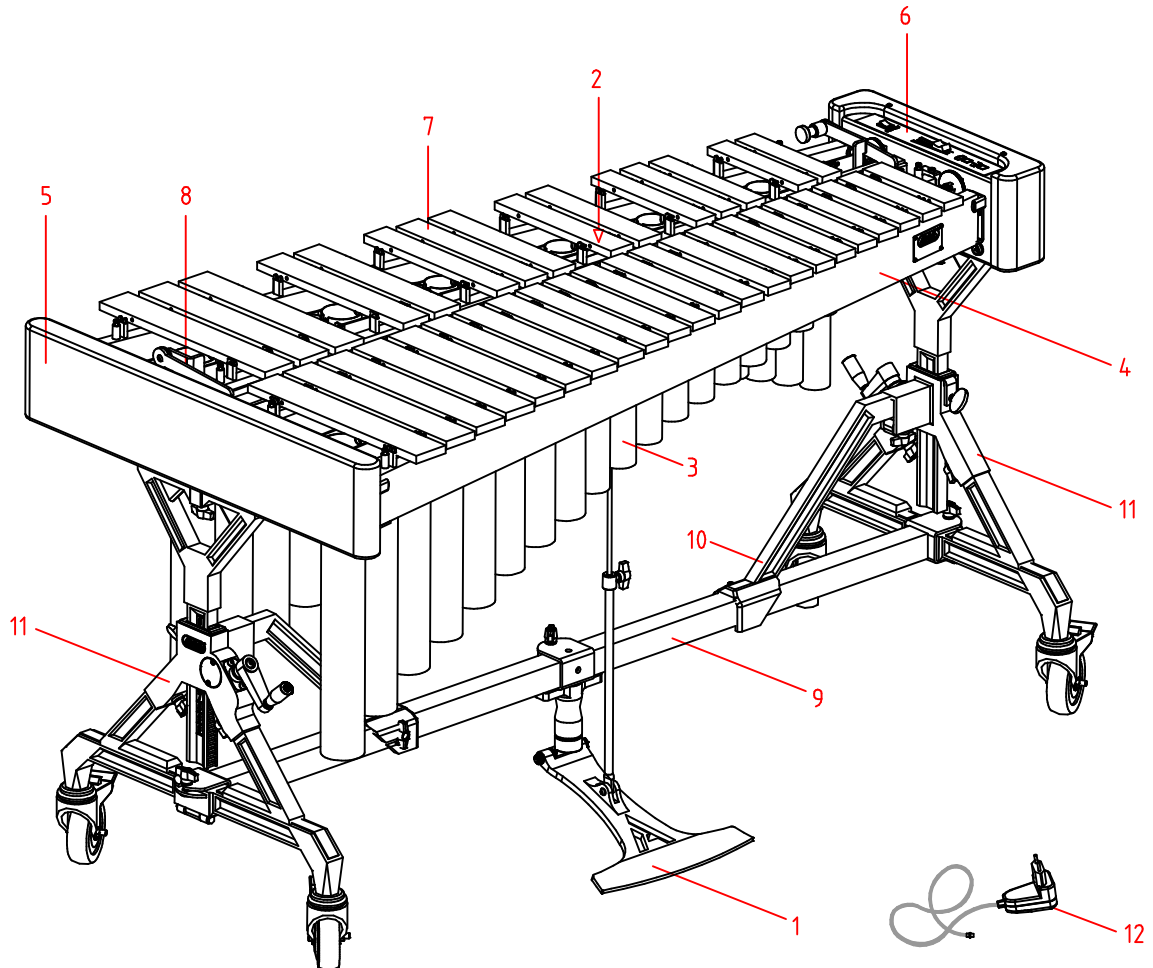


Pos#	Cat#	Description	More information
1	362	Pedal traveller / field frame assembled	page 12
2	366	Damper mechanism vibraphone	page 13
3	335	Set of resonators for vibraphone Artist with motor	page 14
4	325	Set of rails for vibraphone Artist	page 15
5	310	Large end piece for vibraphone Artist	page 18
6	311	Small end piece for vibraphone Artist with motor	page 19
7	344	Set of bars for vibraphone Artist/Concert, F3-F6	page 20
8	PVA01	Dampening rail complete	page 21
9	PVA03	Bottom beam for vibraphone field frame/traveller with motor	page 21
10	PVA07	Upper beam for vibraphone field frame with motor	page 21
11	PMA12	Small side piece field frame	page 23
12	PMA13	Large side frame field frame	page 23
13	119	Shore (set of two)	-
14	300	AC adapter 100-230V 1.5A	-

Vibraphone VAWT30

Traveller frame With motor

Cat#	Description
VAWT30	Vibraphone Artist F3-F6, 3 oct. traveller frame, with motor

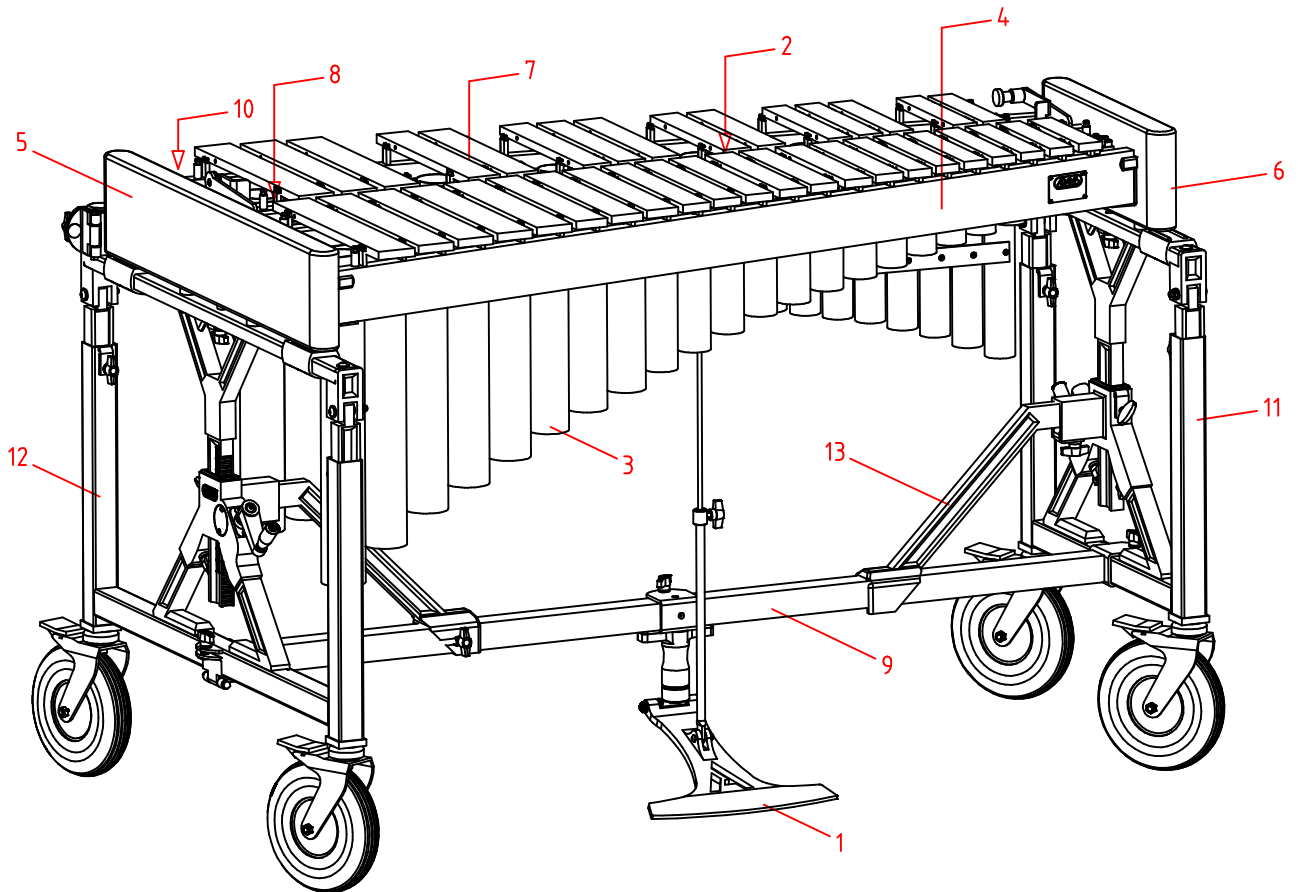


Pos#	Cat#	Description	More information
1	362	Pedal traveller / field frame assembled	page 12
2	366	Damper mechanism vibraphone	page 13
3	335	Set of resonators for vibraphone Artist with motor	page 14
4	325	Set of rails for vibraphone Artist	page 15
5	310	Large end piece for vibraphone Artist	page 18
6	311	Small end piece for vibraphone Artist with motor	page 19
7	344	Set of bars for vibraphone Artist/Concert, F3-F6	page 20
8	PVA01	Dampening rail complete	page 21
9	PVA03	Bottom beam for vibraphone field frame/traveller with motor	page 21
10	119	Shore (set of two) for field frame	-
11	370	Side piece for vibraphone traveller frame	page 22
12	300	AC adapter 100-230V 1.5A	-

Vibraphone VCNF30

Field frame
No motor

Cat#	Description
VCNF30	Vibraphone Concert F3-F6, 3 oct. field frame, no motor

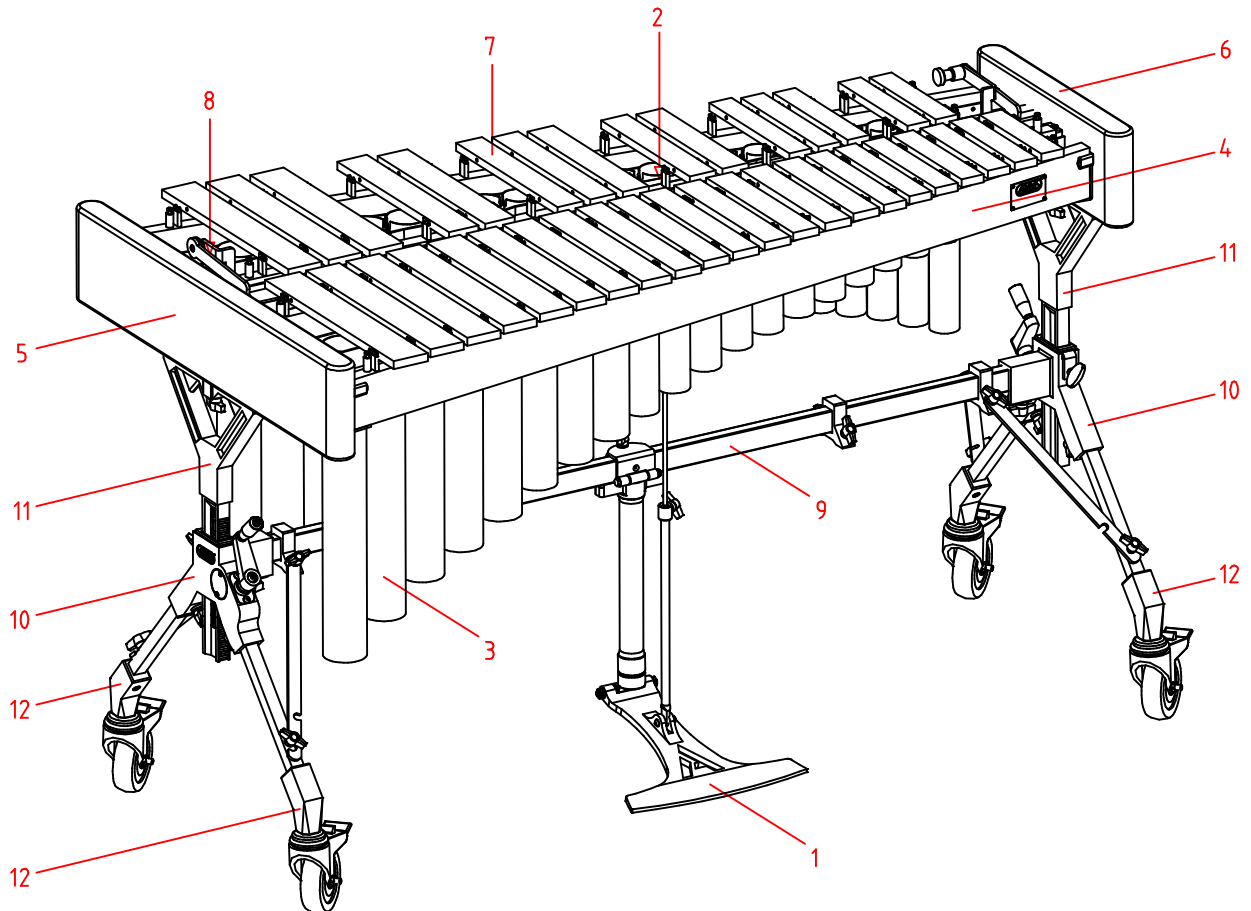


Pos#	Cat#	Description	More information
1	362	Pedal field frame / traveller assembled	page 12
2	366	Damper mechanism vibraphone	page 13
3	338	Set of resonators for vibraphone Concert without motor	page 13
4	326	Set of rails for vibraphone Concert	page 16
5	313	Large end piece for vibraphone Concert	page 18
6	314	Small end piece for vibraphone Concert/Solist without motor	page 18
7	344	Set of bars for vibraphone Artist/Concert, F3-F6	page 20
8	PVA01	Dampening rail complete	page 21
9	PVA02	Bottom beam for vibraphone field frame/traveller without motor	page 21
10	PVA06	Upper beam for vibraphone field frame/traveller without motor	page 21
11	PMA12	Small side piece field frame	page 23
12	PMA13	Large side piece field frame	page 23
13	119	Shore (set of two)	-

Vibraphone VCNV30

Voyager frame
No motor

Cat#	Description
VCNV30	Vibraphone Concert F3-F6, 3 oct. voyager frame, no motor

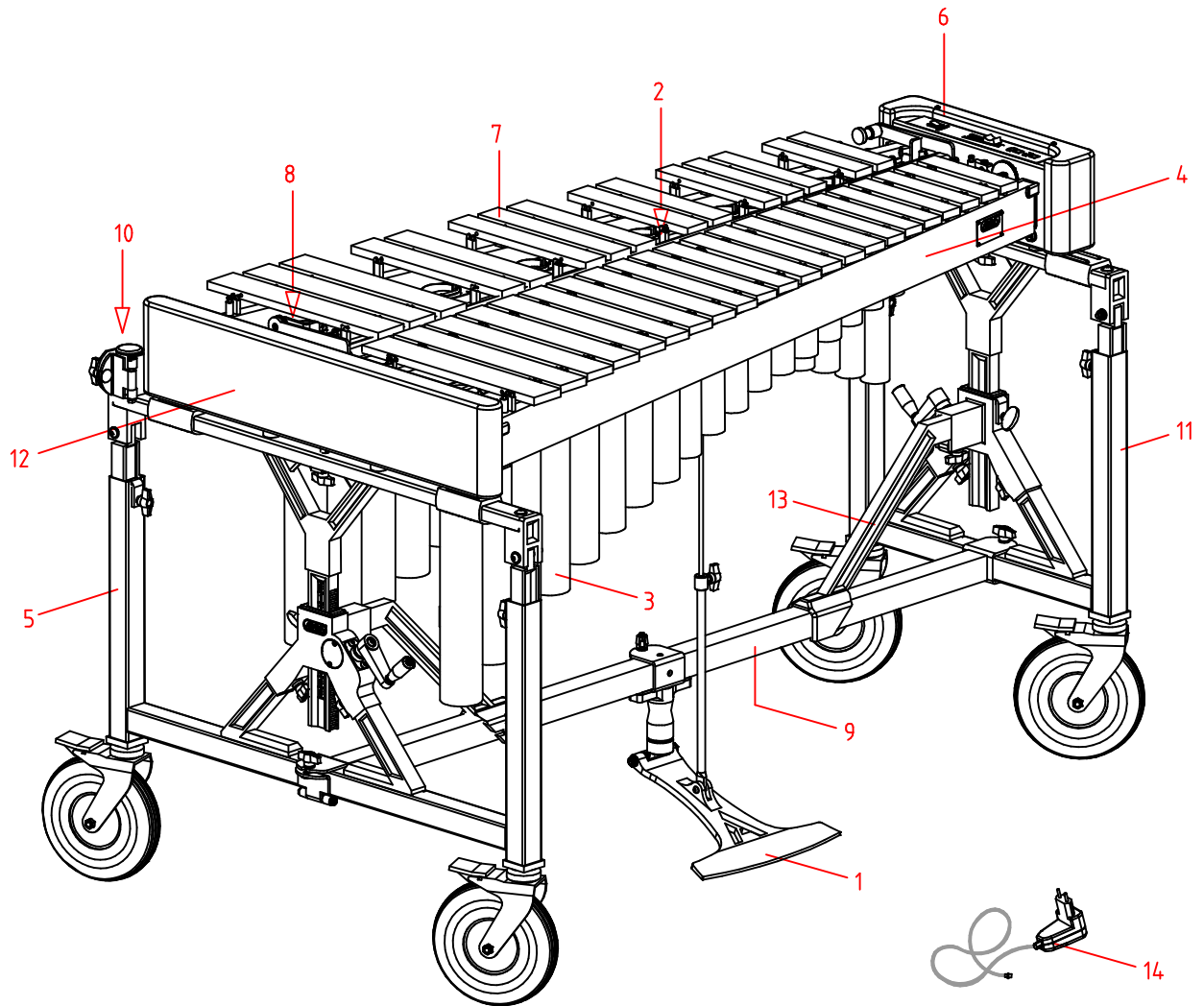


Pos#	Cat#	Description	More information
1	363	Pedal for voyager frame assembled	page 12
2	366	Damper mechanism vibraphone	page 13
3	338	Set of resonators for vibraphone Concert without motor	page 13
4	326	Set of rails for vibraphone Concert	page 16
5	313	Large end piece for vibraphone Concert	page 18
6	314	Small end piece for vibraphone Concert/Solist without motor	page 18
7	344	Set of bars for vibraphone Artist/Concert, F3-F6	page 20
8	PVA01	Dampening rail complete	page 21
9	PVA50	Intermediate beam for vibraphone Concert voyager without motor	page 22
10	108	Height adjustment assembled (2 pieces)	page 24
11	PMA01	Y-adjusting rod voyager/traveller, assembled	page 24
12	PVA37	Leg with wheel for vibraphone voyager	page 25

Vibraphone VCWF30

Field frame
With motor

Cat#	Description
VCWF30	Vibraphone Concert F3-F6, 3 oct. field frame, with motor

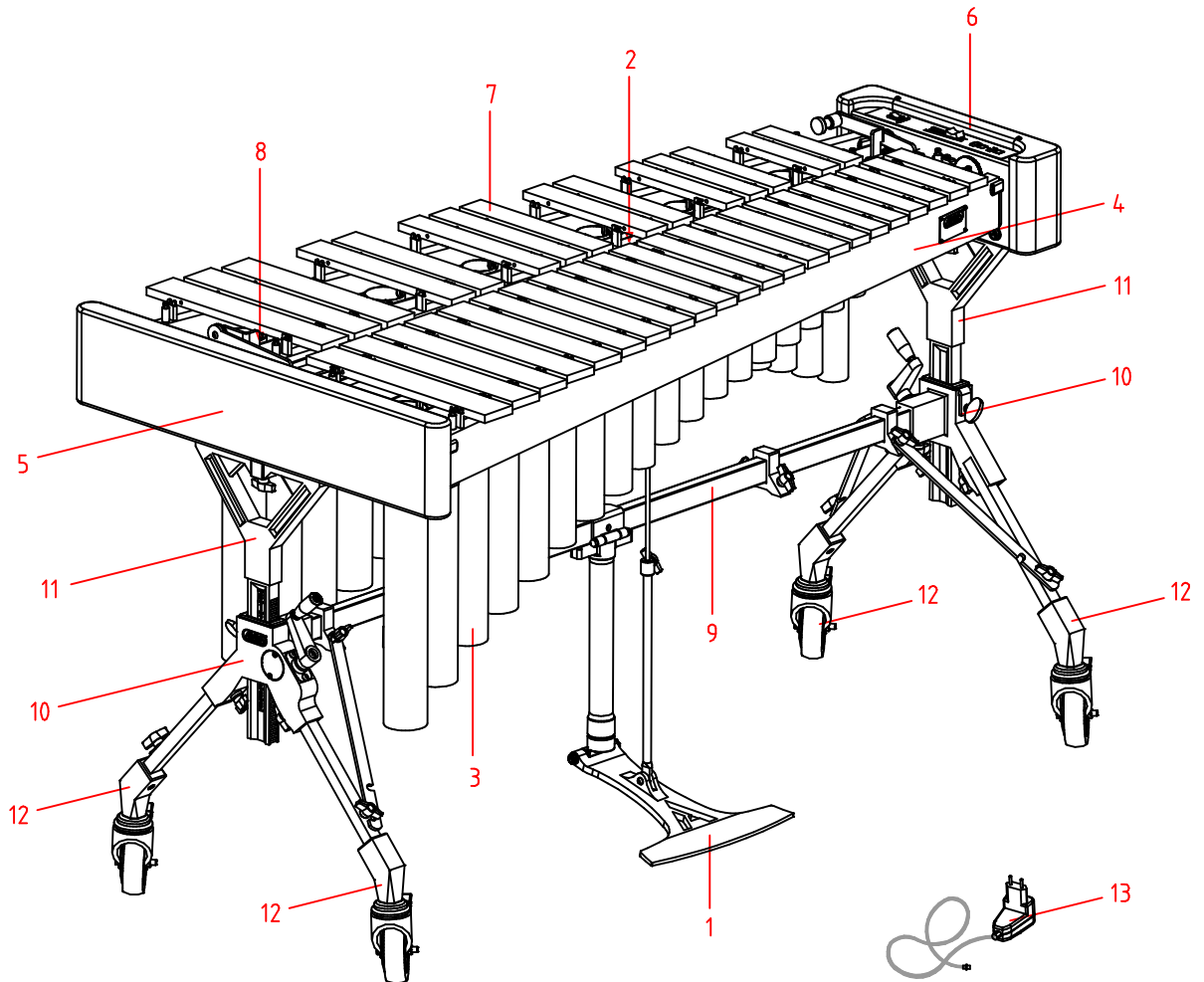


Pos#	Cat#	Description	More information
1	362	Pedal traveller / field frame assembled	page 12
2	366	Damper mechanism vibraphone	page 13
3	337	Set of resonators for vibraphone Concert with motor	page 14
4	326	Set of rails for vibraphone Concert	page 16
5	313	Large end piece for vibraphone Concert	page 18
6	315	Small end piece for vibraphone Concert/Solist with motor	page 19
7	344	Set of bars for vibraphone Artist/Concert, F3-F6	page 20
8	PVA01	Dampening rail complete	page 21
9	PVA03	Bottom beam for vibraphone field frame/traveller with motor	page 21
10	PVA07	Upper beam for vibraphone field frame with motor	page 21
11	PMA12	Small side piece field frame	page 23
12	PMA13	Large side frame field frame	page 23
13	119	Shore (set of two)	-
14	300	AC adapter 100-230V 1.5A	-

Vibraphone VCWV30

Voyager frame With motor

Cat# Description
VCWV30 Vibraphone Concert F3-F6, 3 oct. voyager frame, with motor

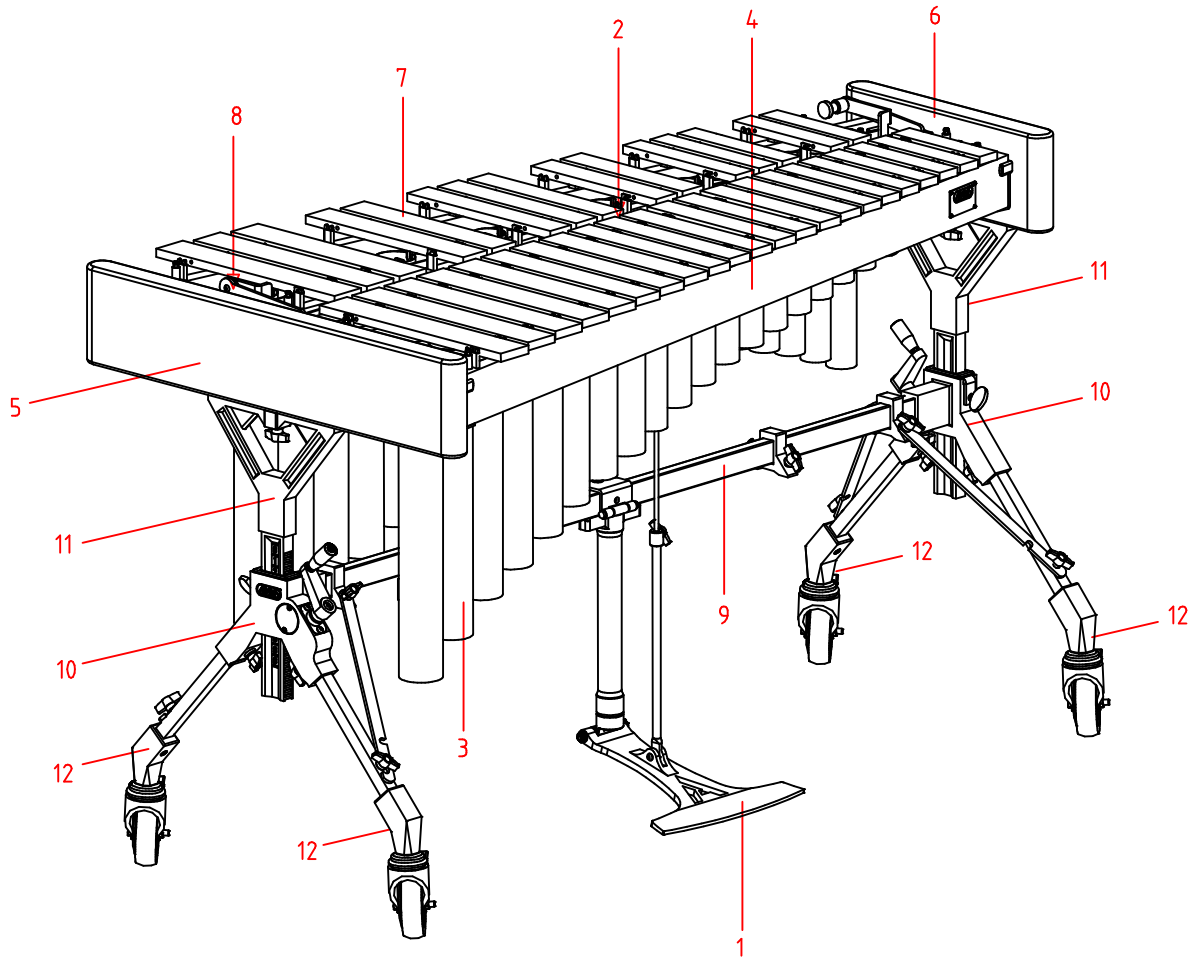


Pos#	Cat#	Description	More information
1	363	Pedal for voyager frame assembled	page 12
2	366	Damper mechanism vibraphone	page 13
3	337	Set of resonators for vibraphone Concert with motor	page 14
4	326	Set of rails for vibraphone Concert	page 16
5	313	Large end piece for vibraphone Concert	page 18
6	315	Small end piece for vibraphone Concert/Solist with motor	page 19
7	344	Set of bars for vibraphone Artist/Concert, F3-F6	page 20
8	PVA01	Dampening rail complete	page 21
9	PVA51	Intermediate beam for vibraphone concert voyager with motor	page 22
10	108	Height adjustment assembled (2 pieces)	page 24
11	PMA01	Y-adjusting rod voyager/traveller, assembled	page 24
12	PVA37	Leg with wheel for vibraphone voyager	page 25
13	300	AC adapter 100-230V 1.5A	-

Vibraphone VSNV31

Voyager frame
No motor

Cat# Description
VSNV31 Vibraphone Solist E3-F6, 3 oct. voyager frame, no motor

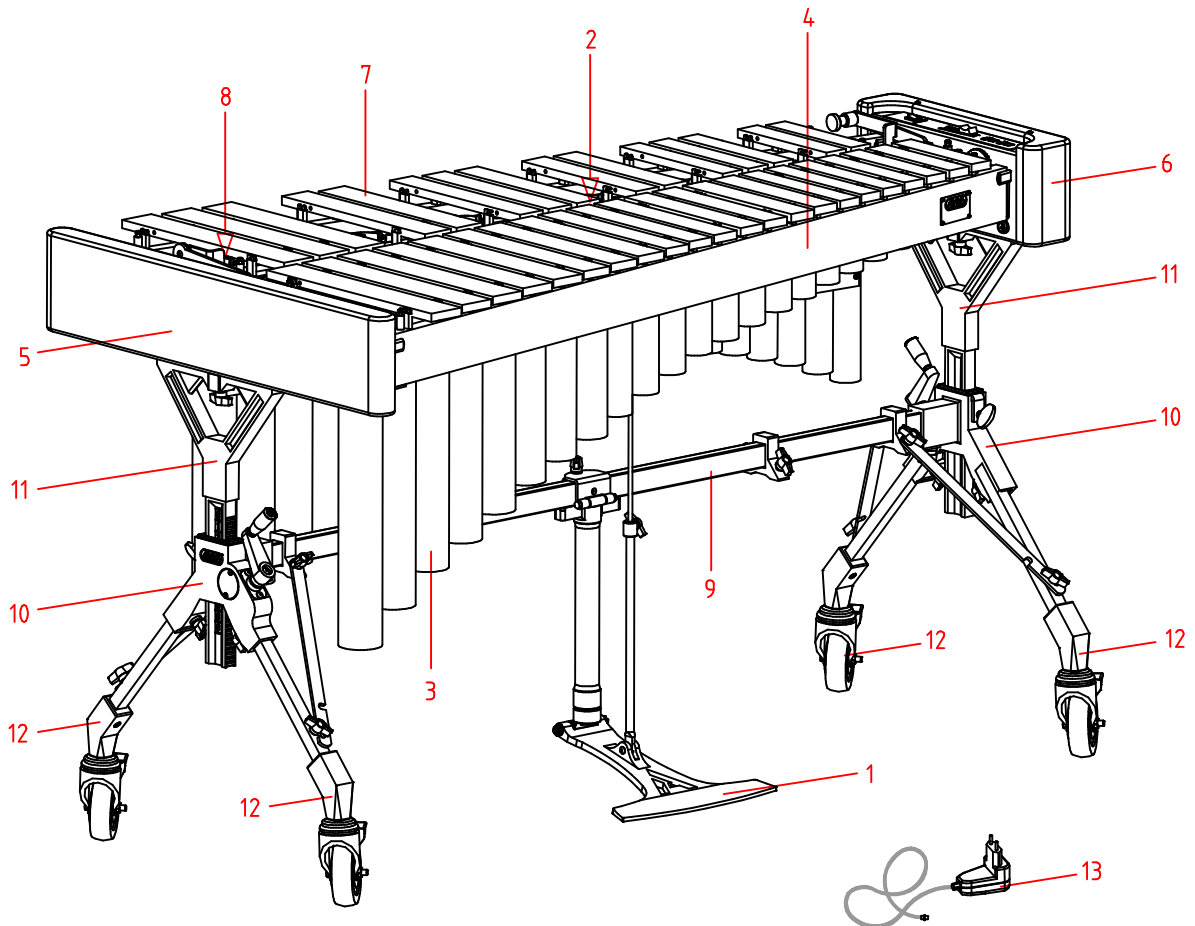


Pos#	Cat#	Description	More information
1	363	Pedal for voyager frame assembled	page 12
2	366	Damper mechanism vibraphone	page 13
3	340	Set of resonators for vibraphone Solist, no motor	page 13
4	327	Set of rails for vibraphone Solist	page 17
5	316	Large end piece for vibraphone Solist	page 18
6	314	Small end piece for vibraphone Concert/Solist without motor	page 18
7	345	Set of bars for vibraphone Solist, E3-F6	page 20
8	PVA01	Dampening rail complete	page 21
9	PVA52	Intermediate beam for vibraphone Solist voyager without motor	page 22
10	108	Height adjustment assembled (2 pieces)	page 24
11	PMA01	Y-adjusting rod voyager/traveller, assembled	page 24
12	PVA37	Leg with wheel for vibraphone voyager	page 25

Vibraphone VSWV31

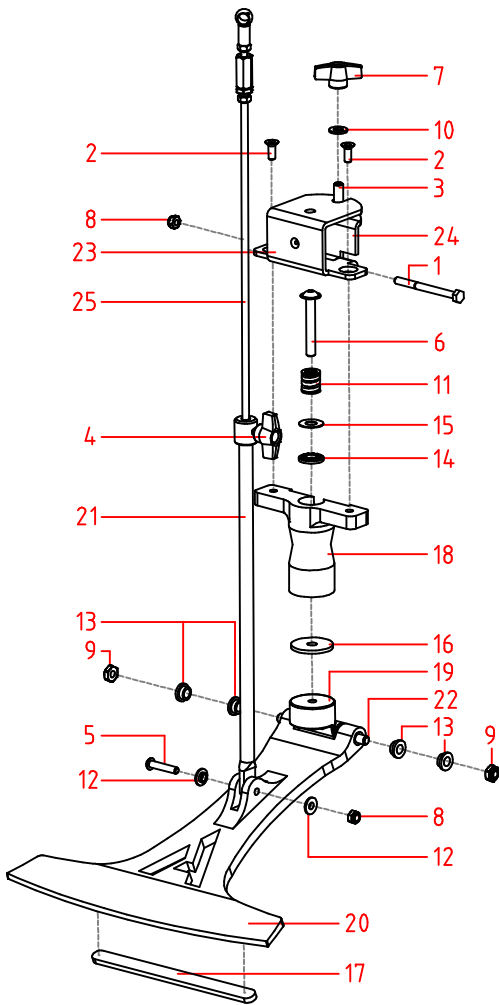
Voyager frame With motor

Cat# Description
VSWV31 Vibraphone Solist E3-F6, 3 oct. voyager frame, with motor



Pos#	Cat#	Description	More information
1	363	Pedal for voyager frame assembled	page 12
2	366	Damper mechanism vibraphone	page 13
3	339	Set of resonators for vibraphone Solist, with motor	page 14
4	327	Set of rails for vibraphone Solist	page 17
5	316	Large end piece for vibraphone Solist	page 18
6	315	Small end piece for vibraphone Concert/Solist with motor	page 19
7	345	Set of bars for vibraphone Solist, E3-F6	page 20
8	PVA01	Dampening rail complete	page 21
9	PVA53	Intermediate beam for vibraphone Solist voyager with motor	page 22
10	108	Height adjustment assembled (2 pieces)	page 24
11	PMA01	Y-adjusting rod voyager/traveller, assembled	page 24
12	PVA37	Leg with wheel for vibraphone voyager	page 25
13	300	AC adapter 100-230V 1.5A	-

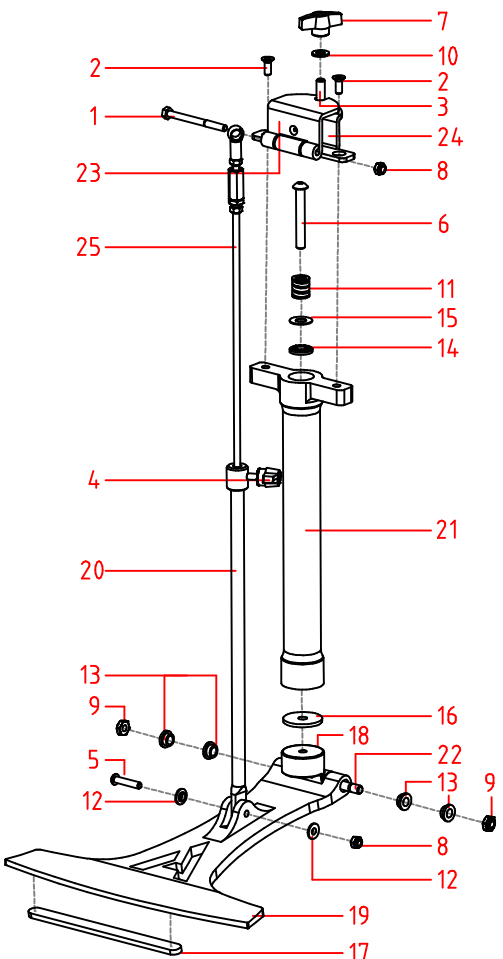
Pedal assembled



Cat#
362

Description
Pedal field frame / traveller assembled

Pos#	Cat#	Description	More information
1	PB022	Hexagon head bolt m6x70, black	
2	PB167	Countersunk head screw m6x16, black	
3	PB100	Flat countersunk square neck bolt m8x30	
4	PB505	Wing-screw plastic (40 mm) m6x15	
5	PB117	Hexagon socket button head bolt m6x30, black	
6	PB119	Hexagon socket button head bolt m8x60, black	
7	PB522	Wingnut open (40 mm) m8, black	
8	PB329	Selflocking hexagon nut m6, black	
9	PB330	Selflocking hexagon nut m8, black	
10	PB427	Plain washer m8, black	
11	PBC20	Compression spring	
12	PBB32	Slide bearing 6.2x8.9x15x3.5	
13	PBB11	Slide bearing 8x12x6	
14	PBB30	Pedal bearing, lower part	
15	PBB31	Pedal bearing, upper part	
16	PC029	Leather disk 37x8x3	
17	PV082	Rubber pad	
18	PV105	Pedal holder field frame/traveller	
19	PV106	Pedal attachment vibraphone, black	
20	PV107	Pedal vibraphone	
21	PV108	Pedal connection rod vibraphone, black	
22	PV047	Attachment axle for pedal vibraphone	
23	PV063	Connection piece field frame/traveller, black	
24	PM023	Clack for connection piece ff/traveller, black	
25	PVA31	Inside piece for tension rod pedal vibraphone	page 26

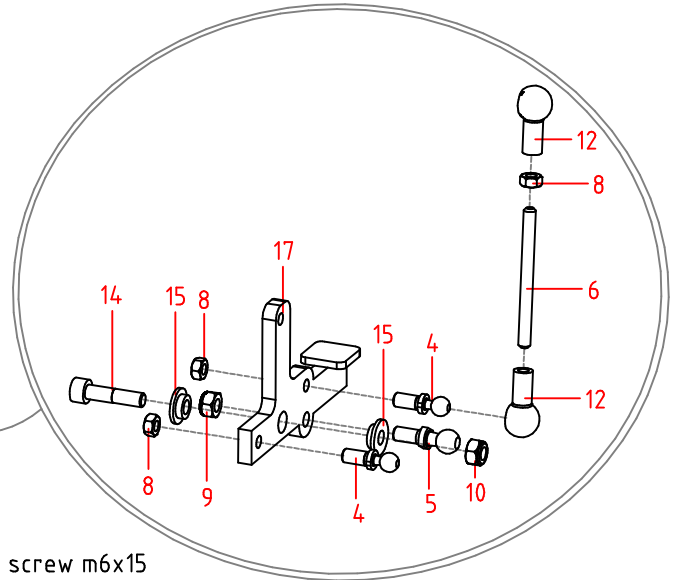
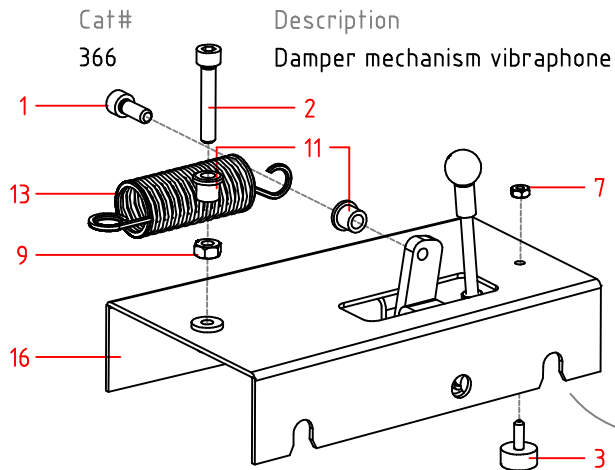


Cat#
363

Description
Pedal voyager assembled

Pos#	Cat#	Description	More information
1	PB022	Hexagon head bolt m6x70, black	
2	PB101	Countersunk head screw m6x20, black	
3	PB100	Flat countersunk square neck bolt m8x30	
4	PB505	Wing-screw plastic (40 mm) m6x15	
5	PB117	Hexagon socket button head bolt m6x30, black	
6	PB119	Hexagon socket button head bolt m8x60, black	
7	PB522	Wingnut open (40 mm) m8, black	
8	PB329	Selflocking hexagon nut m6, black	
9	PB330	Selflocking hexagon nut m8, black	
10	PB427	Plain washer m8, black	
11	PBC20	Compression spring	
12	PBB32	Slide bearing 6.2x8.9x15x3.5	
13	PBB11	Slide bearing 8x12x6	
14	PBB30	Pedal bearing, lower part	
15	PBB31	Pedal bearing, upper part	
16	PC029	Leather disk 37x8x3	
17	PV082	Rubber pad	
18	PV106	Pedal attachment vibraphone, black	
19	PV107	Pedal vibraphone	
20	PV108	Pedal connection rod vibraphone, black	
21	PG007	Pedal holder voyager	
22	PV047	Attachment axle for pedal vibraphone	
23	PV068	Clack for connection piece voyager, black	
24	PV069	Connection piece voyager, black	
25	PVA31	Inside piece for tension rod pedal vibraphone	page 26

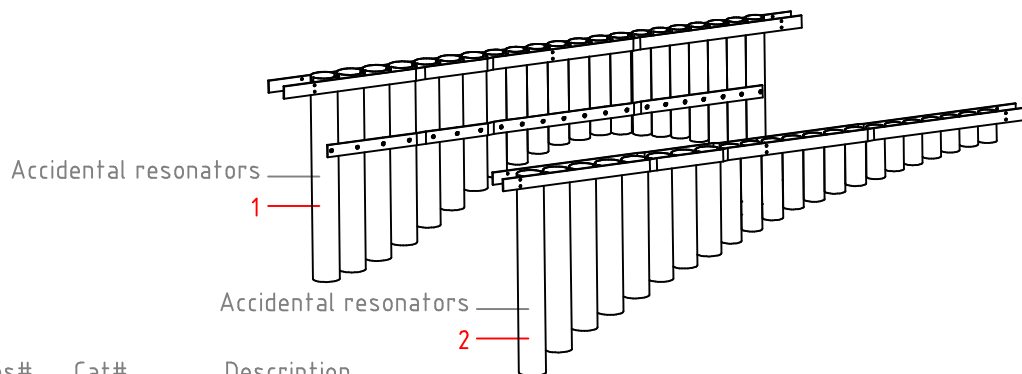
Damper mechanism



Pos#	Cat#	Description
1	PB175	Hexagon socket head cap screw m6x15
2	PB176	Hexagon socket head cap screw m6x35
3	PBX11	Damping block, m4x13 mm
4	PBX10	Ball joint, m5
5	PB134	Ball joint, m6
6	PB178	stud bolt m5x60
7	PB172	Hexagon nut steel zinc plated m4
8	PB168	Hexagon nut steel zinc plated m5
9	PB300	Hexagon nut steel zinc plated m6
10	PB310	Hexagon nut with plastic insert m6
11	PBB10	plastic slide bearing 6x9x11
12	PBX12	Ball cup, m5
13	PBC22	Steel spring for damper vibraphone
14	PB177	Hexagon socket head cap screw special, m6x25
15	PV078	Bronze bush 6/15x4.3
16	PV074	Damper mechanism housing vibraphone
17	PV075	Tumbler for damping mechanism vibraphone

Resonators

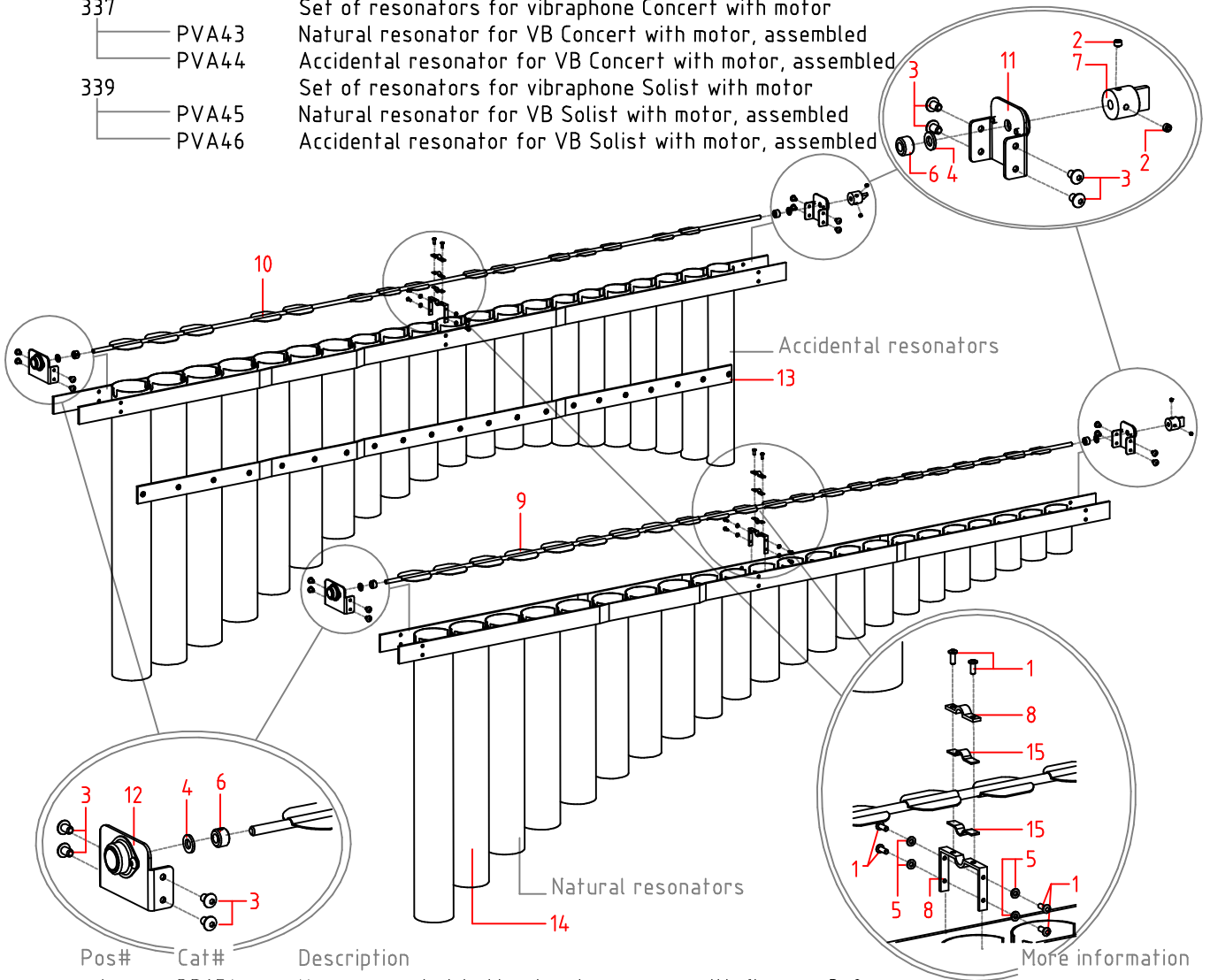
Cat#	Description
336	Set of resonators for vibraphone Artist without motor
338	Set of resonators for vibraphone Concert without motor
340	Set of resonators for vibraphone Solist without motor



Pos#	Cat#	Description	
336	1	PV009	Natural resonators for vibraphone Artist without motor, dark grey
	2	PV010	Accidental resonators for vibraphone Artist without motor, dark grey
338	1	PV146	Natural resonators for vibraphone Concert without motor, silver grey
	2	PV147	Accidental resonators for vibraphone Concert without motor, silver grey
340	1	PV148	Natural resonators for vibraphone Solist without motor, silver grey
	2	PV149	Accidental resonators for vibraphone Solist without motor, silver grey

Resonators

Cat#	Description
335	Set of resonators for vibraphone Artist with motor
— PVA41	Natural resonator for VB Artist with motor, assembled
— PVA42	Accidental resonator for VB Artist with motor, assembled
337	Set of resonators for vibraphone Concert with motor
— PVA43	Natural resonator for VB Concert with motor, assembled
— PVA44	Accidental resonator for VB Concert with motor, assembled
339	Set of resonators for vibraphone Solist with motor
— PVA45	Natural resonator for VB Solist with motor, assembled
— PVA46	Accidental resonator for VB Solist with motor, assembled



Pos#	Cat#	Description
1	PB054	Hexagon socket button head cap screw with flange m3x8
2	PB154	Hexagon socket set screw m4x4
3	PB148	Hexagon socket button head cap screw m5x8
4	PB225	Plain washer nylon m6, black
5	PB226	Spring lock washer m3
6	PB429	Adjusting ring (chrom) 6x12x8 mm
7	PV016	Drive cam for valve bar vibraphone
8	PV040	Bearing for valve bar vibraphone (black)
9	PV044	Valve bar vibraphone natural tones (black)
10	PV045	Valve bar vibraphone accidental tones (black)
11	PVA16	Slide clamp (45 mm) for valve bar vibraphone (assembled)
12	-	Slide clamp (large) for valve bar, for Cat# see table I
13	-	Natural resonator, Cat# is dependet on instrument, see table II
14	-	Accidental resonator, Cat# is dependet on instrument, see table III
15	PV083	Felt pad for bearing valve bar

page 26

table I (pos 12)

Type	Cat#	Slide clamp (large) for valve bar vibraphone	
335/337	PVA17	Slide clamp (65 mm) for valve bar vibraphone artist/concert, assembled	page 26
339	PVA18	Slide clamp (60 mm) for valve bar vibraphone solist, assembled	page 26

table II (pos 13)

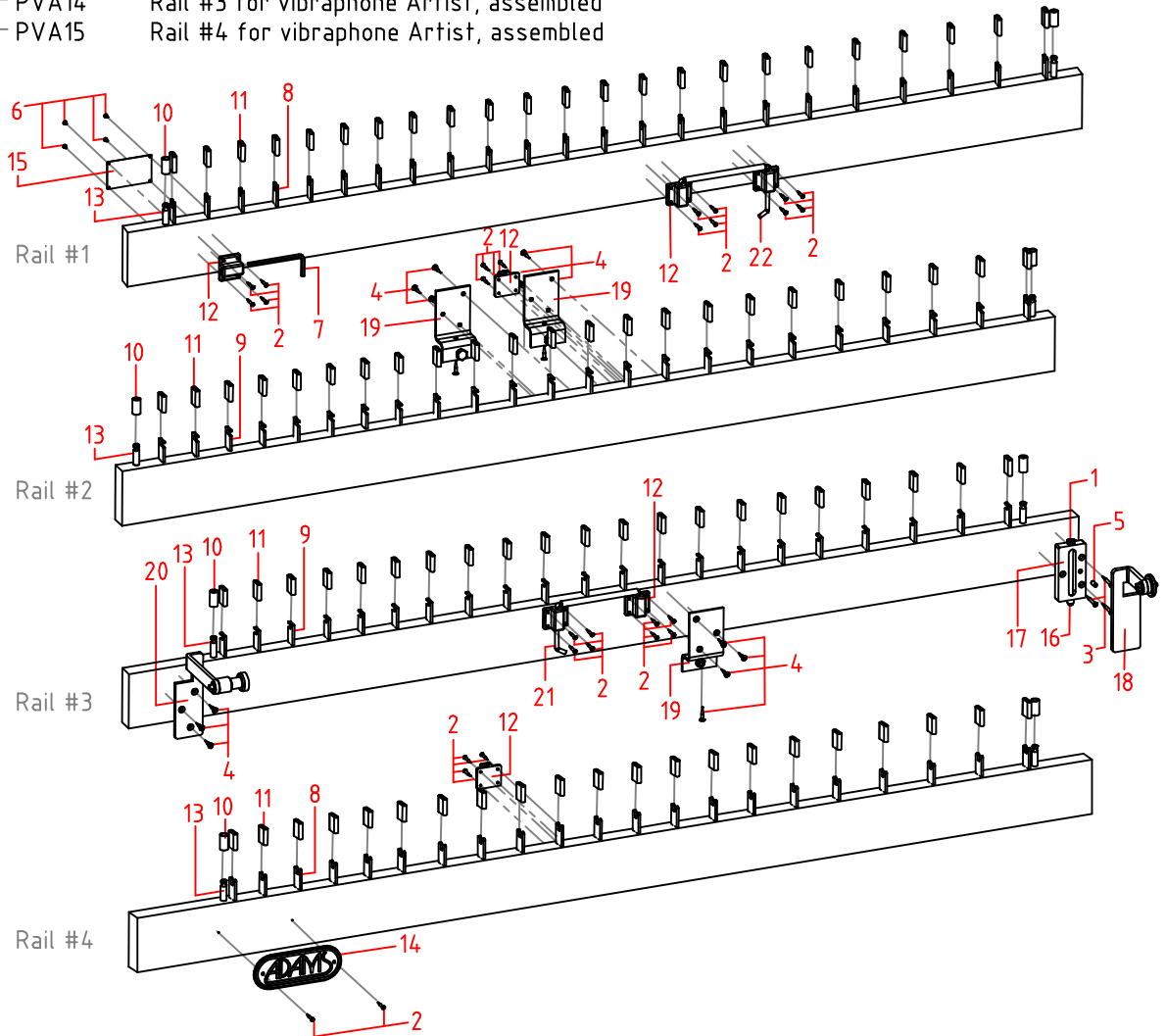
Type	Cat#	Natural resonator (not assembled) for
335	PV014	VB Artist with motor (dark grey)
337	PV150	VB Concert with motor (silver grey)
339	PV152	VB Solist with motor (silver grey)

table III (pos 14)

Type	Cat#	Accidental resonator (not assembled) for
335	PV013	VB Artist with motor (dark grey)
337	PV151	VB Concert with motor (silver grey)
339	PV153	VB Solist with motor (silver grey)

Rails for Vibraphone Artist

Cat#	Description
325	Set of rails for vibraphone Artist, assembled
PVA12	Rail #1 for vibraphone Artist, assembled
PVA13	Rail #2 for vibraphone Artist, assembled
PVA14	Rail #3 for vibraphone Artist, assembled
PVA15	Rail #4 for vibraphone Artist, assembled

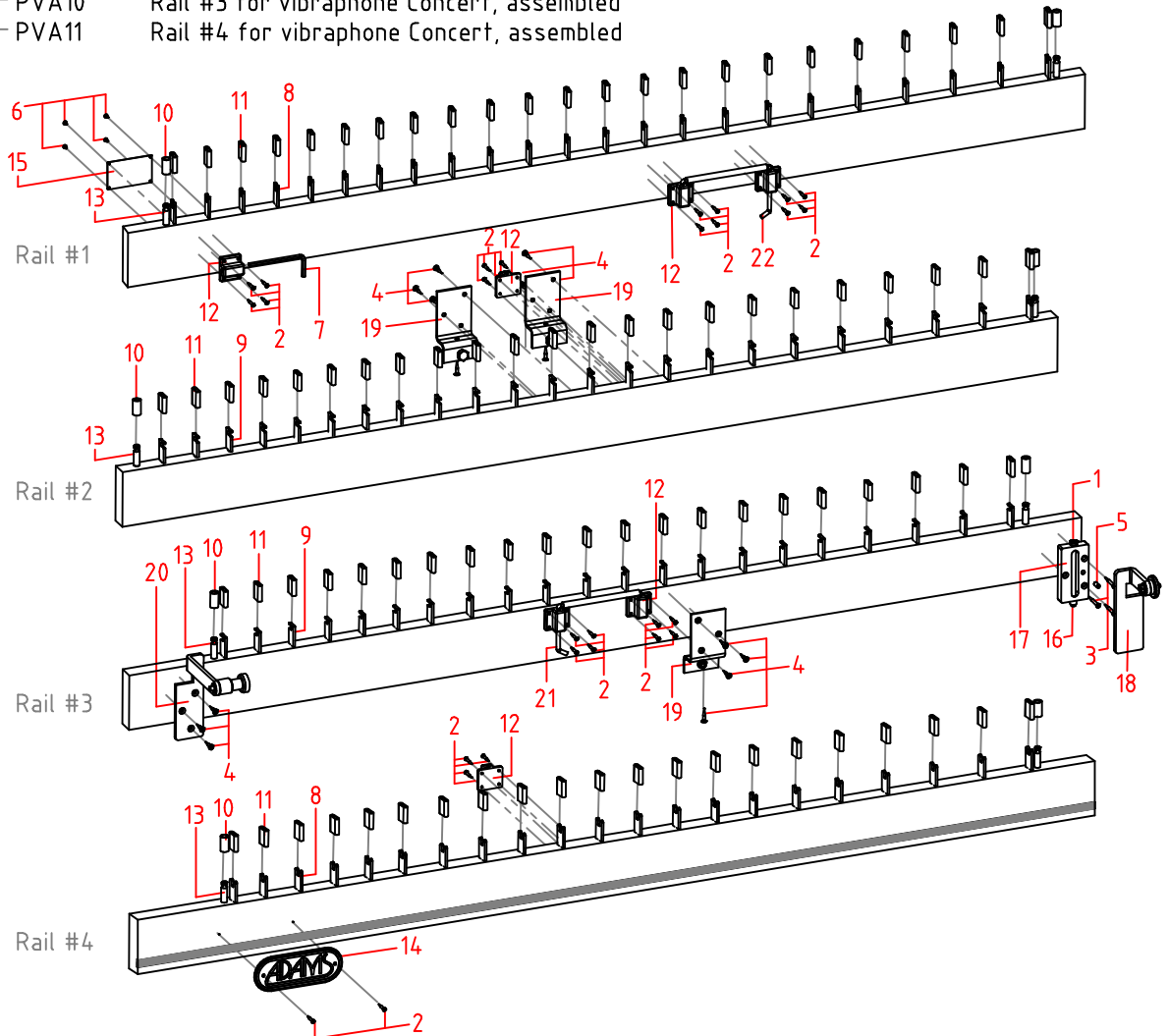


Pos#	Cat#	Description	More information
1	PB157	Hexagon socket head cap screw m6x90, black	
2	PB124	Countersunk head tapping screw 2.9x19, black	
3	PB125	Countersunk head tapping screw 3.5x32, black	
4	PB173	Cross recessed countersunk head tapping screw 3.5x19, black	
5	PB158	Slotted spring plunger with ball, m5x12	
6	PB141	Cross recessed pan head tapping screw 2.2x6.5, black	
7	PBA73	Hexagon key, 5 mm	
8	PM104	Gaf open	
9	PM105	Gaf open, horizontal	
10	PM002	Rubber sleeve 11x8x21, black	
11	PM004	Rubber sleeve 13x10x23, black	
12	PM016	Rubber distance block	
13	PM043	Cylindrical corner pen	
14	PM106	Name plate: Adams gold	
15	PM201	Type plate: Vibraphone Artist	
16	PB345	Round nut with plastic insert, m6	
17	PV027	Holder height adjustment damping	page 27
18	PVA38	Height adjustable holder for damping vibraphone assembled	page 27
19	PVA24	Fixing plate for adjustment damping	page 27
20	PVA25	Holder for damping left	page 27
21	PVA39	Spacer bracket, 121 mm	page 27
22	PVA40	Spacer bracket, 129 mm	page 27

Rails

for Vibraphone Concert

Cat#	Description
326	Set of rails for vibraphone Concert, assembled
PVA08	Rail #1 for vibraphone Concert, assembled
PVA09	Rail #2 for vibraphone Concert, assembled
PVA10	Rail #3 for vibraphone Concert, assembled
PVA11	Rail #4 for vibraphone Concert, assembled

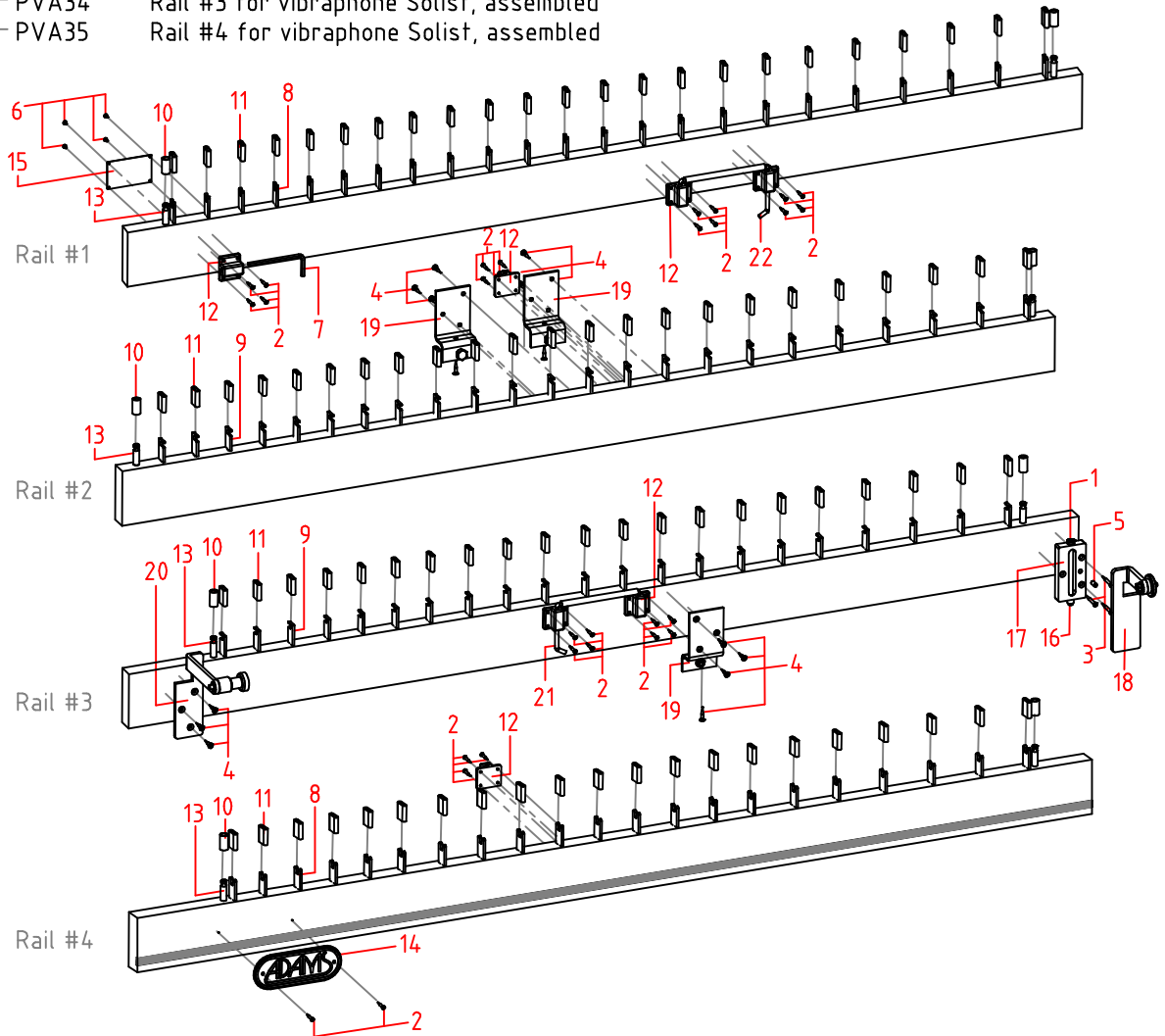


Pos#	Cat#	Description	More information
1	PB157	Hexagon socket head cap screw m6x90, black	
2	PB124	Countersunk head tapping screw 2.9x19, black	
3	PB125	Countersunk head tapping screw 3.5x32, black	
4	PB173	Cross recessed countersunk head tapping screw 3.5x19, black	
5	PB158	Slotted spring plunger with ball, m5x12	
6	PB141	Cross recessed pan head tapping screw 2.2x6.5, black	
7	PBA73	Hexagon key, 5 mm	
8	PM104	Gaf open	
9	PM105	Gaf open, horizontal	
10	PM002	Rubber sleeve 11x8x21, black	
11	PM004	Rubber sleeve 13x10x23, black	
12	PM016	Rubber distance block	
13	PM043	Cylindrical corner pen	
14	PM107	Name plate: Adams silver	
15	PM202	Type plate: Vibraphone Concert	
16	PB345	Round nut with plastic insert, m6	
17	PV027	Holder height adjustment damping	page 27
18	PVA38	Height adjustable holder for damping vibraphone assembled	page 27
19	PVA24	Fixing plate for adjustment damping	page 27
20	PVA25	Holder for damping left	page 27
21	PVA39	Spacer bracket, 121 mm	page 27
22	PVA40	Spacer bracket, 129 mm	page 27

Rails

for Vibraphone Solist

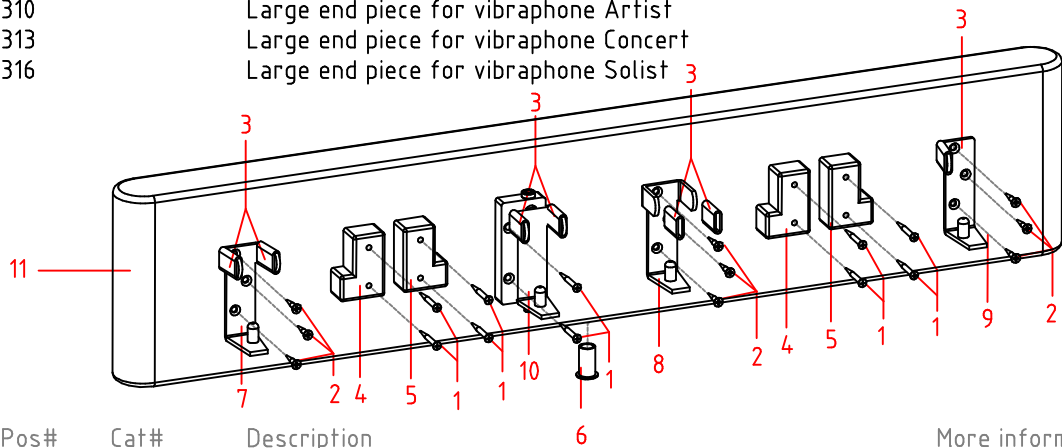
Cat#	Description
327	Set of rails for vibraphone Solist, assembled
PVA32	Rail #1 for vibraphone Solist, assembled
PVA33	Rail #2 for vibraphone Solist, assembled
PVA34	Rail #3 for vibraphone Solist, assembled
PVA35	Rail #4 for vibraphone Solist, assembled



Pos#	Cat#	Description	More information
1	PB157	Hexagon socket head cap screw m6x90, black	
2	PB124	Countersunk head tapping screw 2.9x19, black	
3	PB125	Countersunk head tapping screw 3.5x32, black	
4	PB173	Cross recessed countersunk head tapping screw 3.5x19, black	
5	PB158	Slotted spring plunger with ball, m5x12	
6	PB141	Cross recessed pan head tapping screw 2.2x6.5, black	
7	PBA73	Hexagon key, 5 mm	
8	PM104	Gaf open	
9	PM105	Gaf open, horizontal	
10	PM002	Rubber sleeve 11x8x21, black	
11	PM004	Rubber sleeve 13x10x23, black	
12	PM016	Rubber distance block	
13	PM043	Cylindrical corner pen	
14	PM107	Name plate: Adams silver	
15	PM203	Type plate: Vibraphone Solist	
16	PB345	Round nut with plastic insert, m6	
17	PV027	Holder height adjustment damping	page 27
18	PVA38	Height adjustable holder for damping vibraphone assembled	page 27
19	PVA24	Fixing plate for adjustment damping	page 27
20	PVA25	Holder for damping left	page 27
21	PVA39	Spacer bracket, 121 mm	page 27
22	PVA40	Spacer bracket, 129 mm	page 27

Large end piece

Cat#	Description
310	Large end piece for vibraphone Artist
313	Large end piece for vibraphone Concert
316	Large end piece for vibraphone Solist



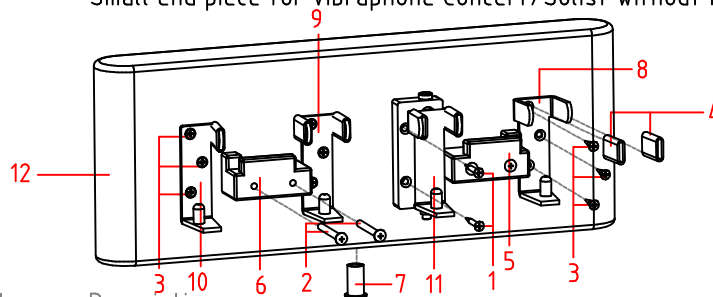
Pos#	Cat#	Description	More information
1	PB125	Countersunk head tapping screw 3.5x32, black	
2	PB173	Cross recessed countersunk head tapping screw 3.5x19, black	
3	PM004	Plain washer rubber 13x10x23, black	
4	PV022	Rubber for resonator Vibraphone (nr. 9)	
5	PV023	Rubber for resonator Vibraphone (nr. 10)	
6	PD005	Counter head wood screw, m8x32, black	
7	PM029	Suspension bracket for rails nr. 1, black	
8	PM030	Suspension bracket for rails nr. 2, black	
9	PM066	Suspension bracket for rails nr. 8, black	
10	PVA21	Height adjustable railholder for vibraphone, assembled	page 28
11	-	Large end piece, Cat# is dependet on instrument, see table IV	

table IV (Pos 11)

Type	Cat#	Description
310	PV026	Large end piece for vibraphone Artist, not assembled
313+316	PV037	Large end piece for vibraphone Concert/Solist, not assembled

Small end piece

Cat#	Description
312	Small end piece for vibraphone Artist without motor
314	Small end piece for vibraphone Concert/Solist without motor



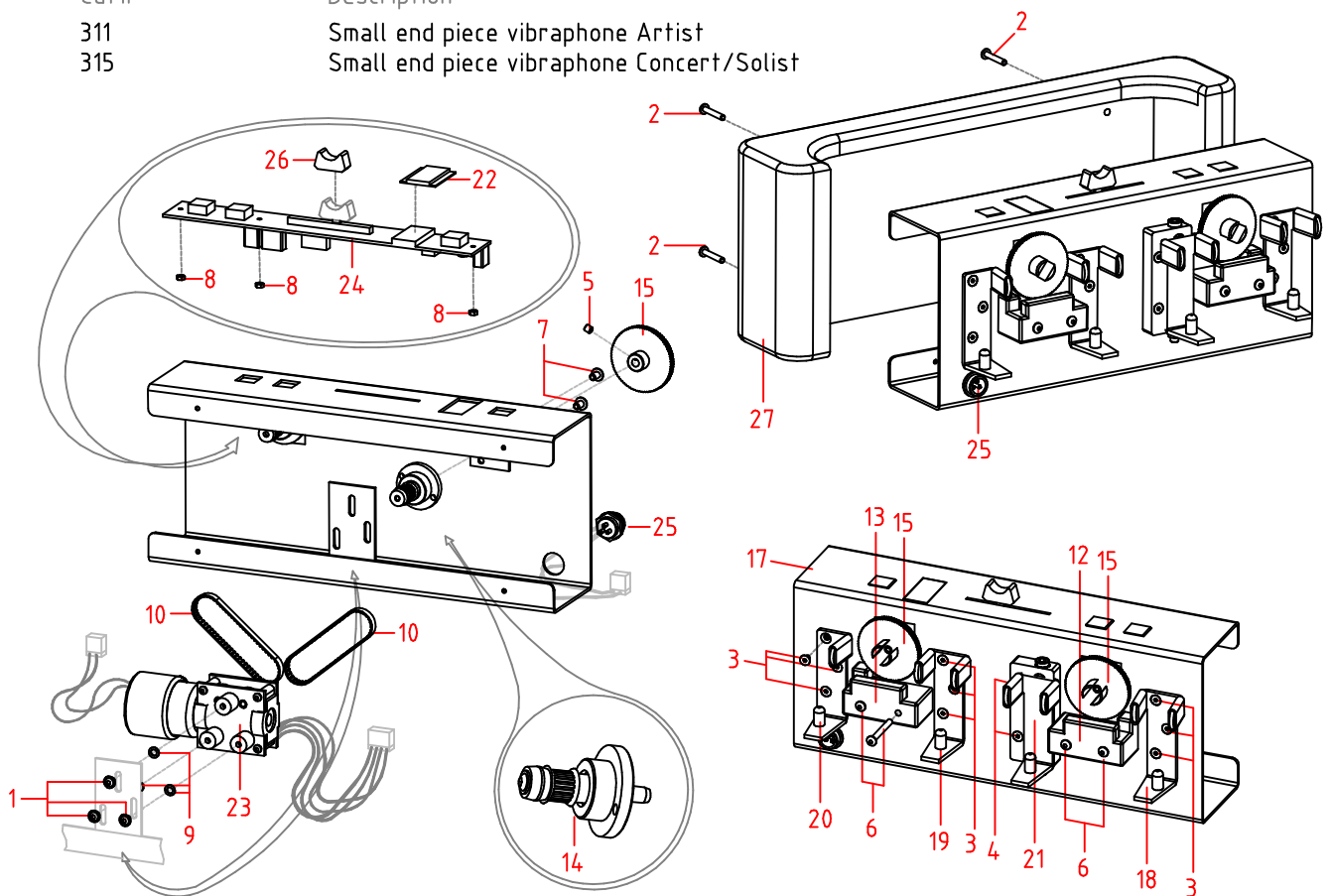
Pos#	Cat#	Description	More information
1	PB125	Countersunk head tapping screw 3.5x32, black	
2	PB126	Countersunk head tapping screw 4.8x50, black	
3	PB173	Cross recessed countersunk head tapping screw 3.5x19, black	
4	PM004	Plain washer rubber 13x10x23, black	
5	PV020	Rubber for resonator Vibraphone (nr. 7)	
6	PV021	Rubber for resonator Vibraphone (nr. 8)	
7	PD005	Counter head wood screw, m8x32, black	
8	PM029	Suspension bracket for rails nr. 1, black	
9	PM030	Suspension bracket for rails nr. 2, black	
10	PM065	Suspension bracket for rails nr. 7, black	
11	PVA21	Height adjustable railholder for vibraphone, assembled	page 28
12	-	Small end piece, Cat# is dependet on instrument, see table V	

table V (Pos 12)

Type	Cat#	Description
312	PV024	Small end piece for vibraphone Artist, not assembled
314	PV039	Small end piece for vibraphone Concert/Solist, not assembled

Small end piece

Cat#	Description
311	Small end piece vibraphone Artist
315	Small end piece vibraphone Concert/Solist



Pos#	Cat#	Description
1	PB161	Hexagon socket button head cap screw with flange m6x4
2	PB152	Hexagon socket button head cap screw m4x25, black
3	PB086	Hexalobular countersunk head screw m4x6, black
4	PB149	Hexalobular countersunk head screw m4x16, black
5	PB154	Hexagon socket set screw m4x4
6	PB153	Hexagon socket button head cap screw m4x35, black
7	PB148	Hexagon socket button head cap screw m5x8, black
8	PB324	Hexagon nut m3
9	PB435	Plain washer m4
10	PV142	Geared belt
11	PM004	Rubber sleeve 13x10x23, black
12	PV020	Rubber holder for resonator, no. 7
13	PV021	Rubber holder for resonator, no. 8
14	PVA60	Internal drive mechanism
15	PV017	Drive wheel for valve bar
16	PV019	Beaming holder for drive mechanism
17	PV036	Motor housing for vibraphone
18	PM029	Suspension bracket for rails, no. 1 black
19	PM030	Suspension bracket for rails, no. 2 black
20	PM065	Suspension bracket for rails, no. 7 black
21	PVA21	Height adjustable railholder for vibraphone, assembled
22	PV143	Red protection glass
23	PVA61	Motor vibraphone (incl. wiring)
24	PVA62	Motor control panel complete (incl. slider knob and wiring)
25	PVA63	Jack bush, chassis part (incl. wiring)
26	PV139	Slider knob for control panel vibraphone
27	-	Cat# is dependet on instrument, see table VI

More information

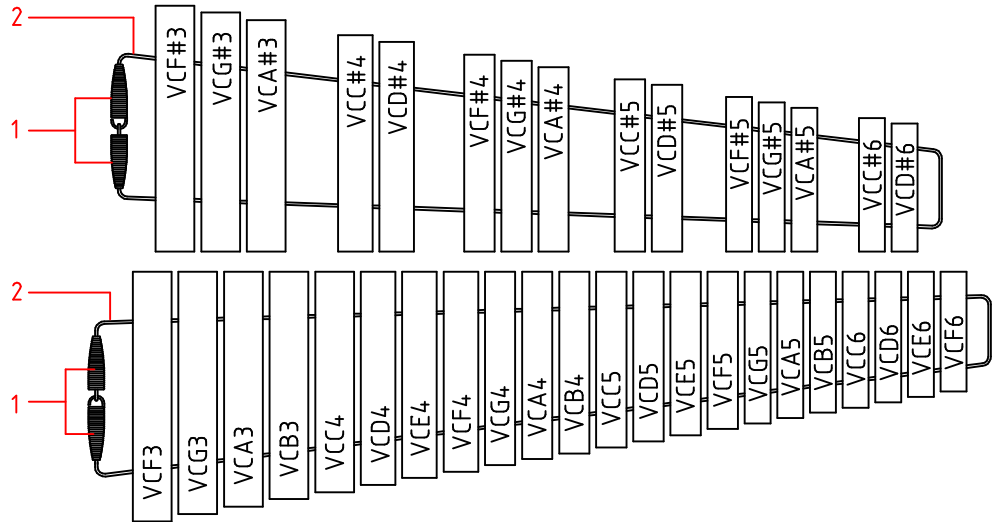
page 28

Table VI

Type	Cat#	Description
311	PV025	Wooden part for motor housing Vibraphone Artist, clear lackerd oak
315	PV038	Wooden part for motor housing Vibraphone Concert/Solist, black finished

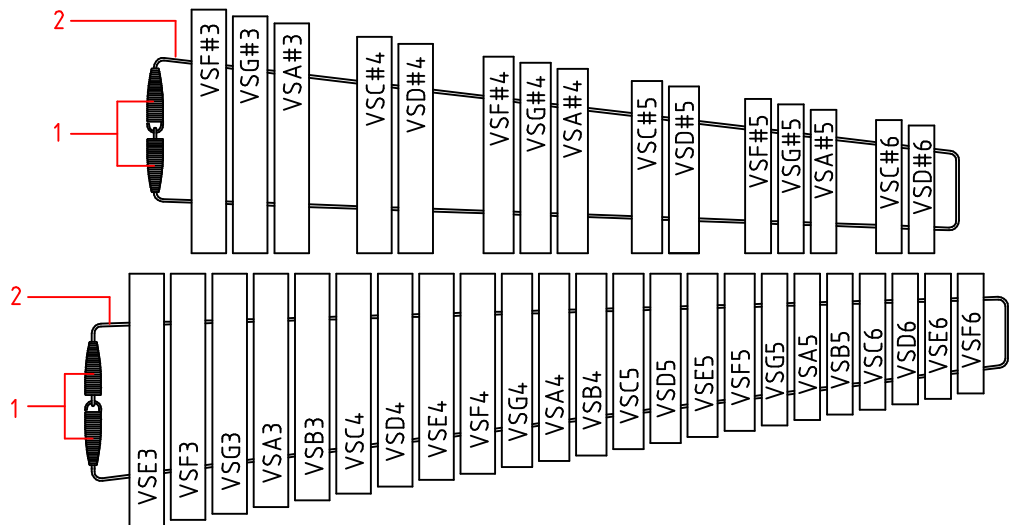
Set of bars

Cat# 344 Description Set of bars for vibraphone Artist/Concert, F3-F6



Pos#	Cat#	Description
1	PBC17	Spring for cord bars
2	PVA29	Cord for vibraphone artist/concert
BARS	-	Cat# see drawing

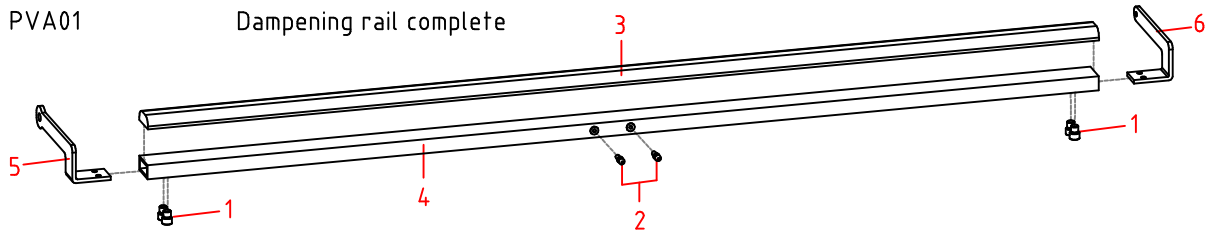
Cat# 345 Description Set of bars for vibraphone Solist, E3-F6



Pos#	Cat#	Description
1	PBC17	Spring for cord bars
2	PVA30	Cord for vibraphone solist
BARS	-	Cat# see drawing

Dampening rail complete

Cat# PVA01
Description Dampening rail complete



Pos#	Cat#	Description
1	PB072	Hexagon socket head cap screw m8x10
2	PBX10	Ball joint m5
3	PV018	Damping for vibraphone, black
4	PV029	Aluminium sleeve for damping vibraphone, black
5	PV001L	Holder for dampingrail, left
6	PV001R	Holder for dampingrail, right

Bottom beam complete

Cat# PVA02
Description Bottom beam for vibraphone field frame/traveller without motor

Cat# PVA03
Description Bottom beam for vibraphone field frame/traveller with motor

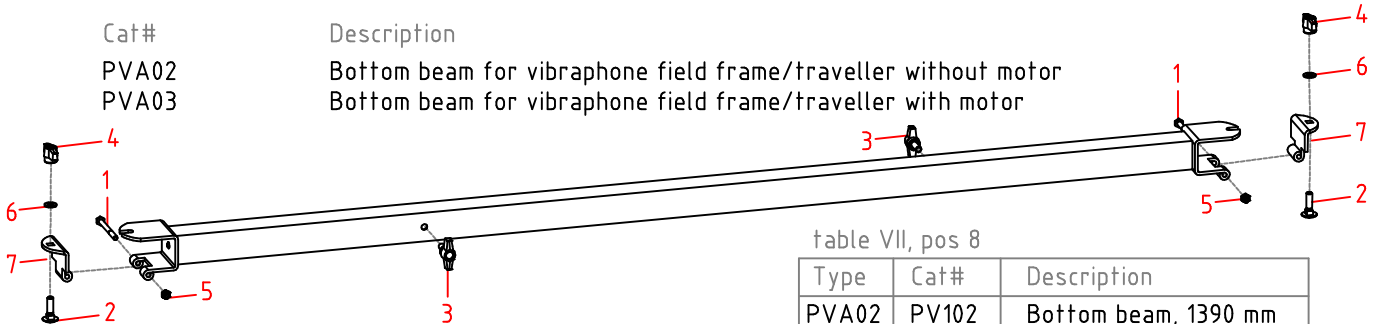


table VII, pos 8

Type	Cat#	Description
PVA02	PV102	Bottom beam, 1390 mm
PVA03	PV103	Bottom beam, 1400 mm

Pos#	Cat#	Description
1	PB022	Hexagon head bolt m6x70, black
2	PB100	Flat countersunk square neck bolt m8x30, black
3	PB508	Wing-screw plastic with steel insert m8x20, black
4	PB522	Wing-nut open m8, black
5	PB329	Selflocking hexagon nut m6, black
6	PB427	Plain washer m8, black
7	PM023	Clack for connection piece field frame/traveller, black
8	-	Bottom connection beam not assembled, Cat# is dependet on instrument, see table VII

Upper beam complete

Cat# PVA06
Description Upper beam for vibraphone field frame/traveller without motor

Cat# PVA07
Description Upper beam for vibraphone field frame/traveller with motor

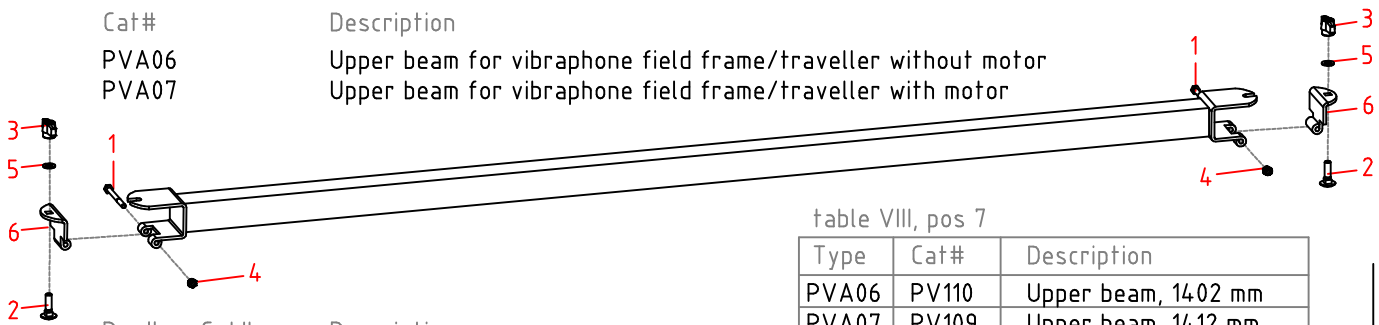


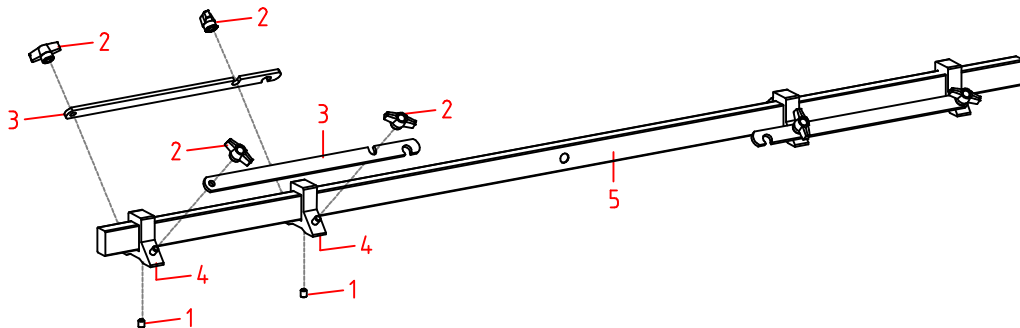
table VIII, pos 7

Type	Cat#	Description
PVA06	PV110	Upper beam, 1402 mm
PVA07	PV109	Upper beam, 1412 mm

Pos#	Cat#	Description
1	PB022	Hexagon head bolt m6x70, black
2	PB100	Flat countersunk square neck bolt m8x30, black
3	PB522	Wing-nut open m8, black
4	PB329	Selflocking hexagon nut m6, black
5	PB427	Plain washer m8, black
6	PM023	Clack for connection piece field frame/traveller, black
7	-	Upper connection beam not assembled, Cat# is dependet on instrument, see table VIII

Intermediate beam voyager frame

Cat#	Description
PVA50	Intermediate beam for vibraphone concert voyager without motor
PVA51	Intermediate beam for vibraphone concert voyager with motor
PVA52	Intermediate beam for vibraphone solist voyager without motor
PVA53	Intermediate beam for vibraphone solist voyager with motor



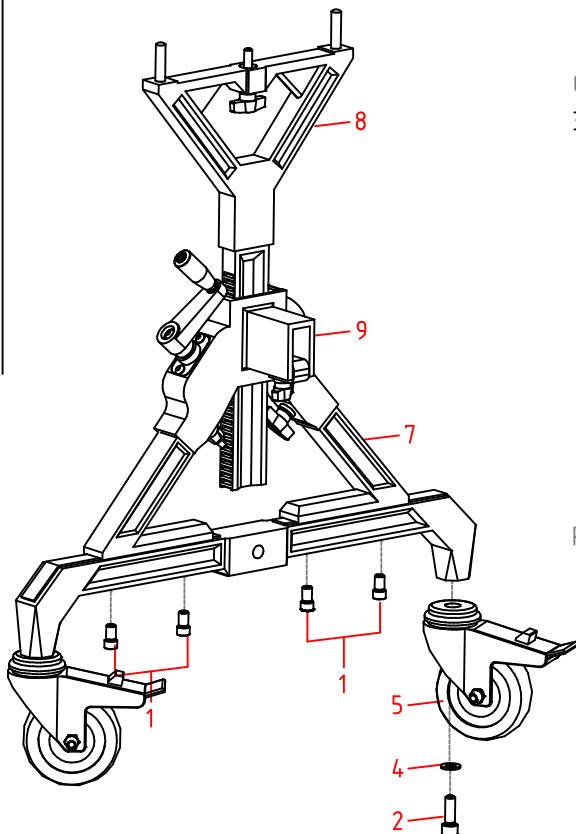
Pos#	Cat#	Description
1	PB098	Hexagon socket set screw m8x10, black
2	PB523	Wing-nut plastic m8, black
3	PM045	brace for voyager frame
4	PM046	brace holder for voyager frame
5	-	Intermediate beam voyager not assembled, Cat# is dependet on instrument, see table IX

table IX, pos 5

Type	Cat#	Description
PVA50	PV154	Intermediate beam for vibraphone concert voyager without motor, not assembled
PVA51	PV155	Intermediate beam for vibraphone concert voyager with motor, not assembled
PVA52	PV156	Intermediate beam for vibraphone solist voyager without motor, not assembled
PVA53	PV157	Intermediate beam for vibraphone solist voyager with motor, not assembled

Side piece traveller

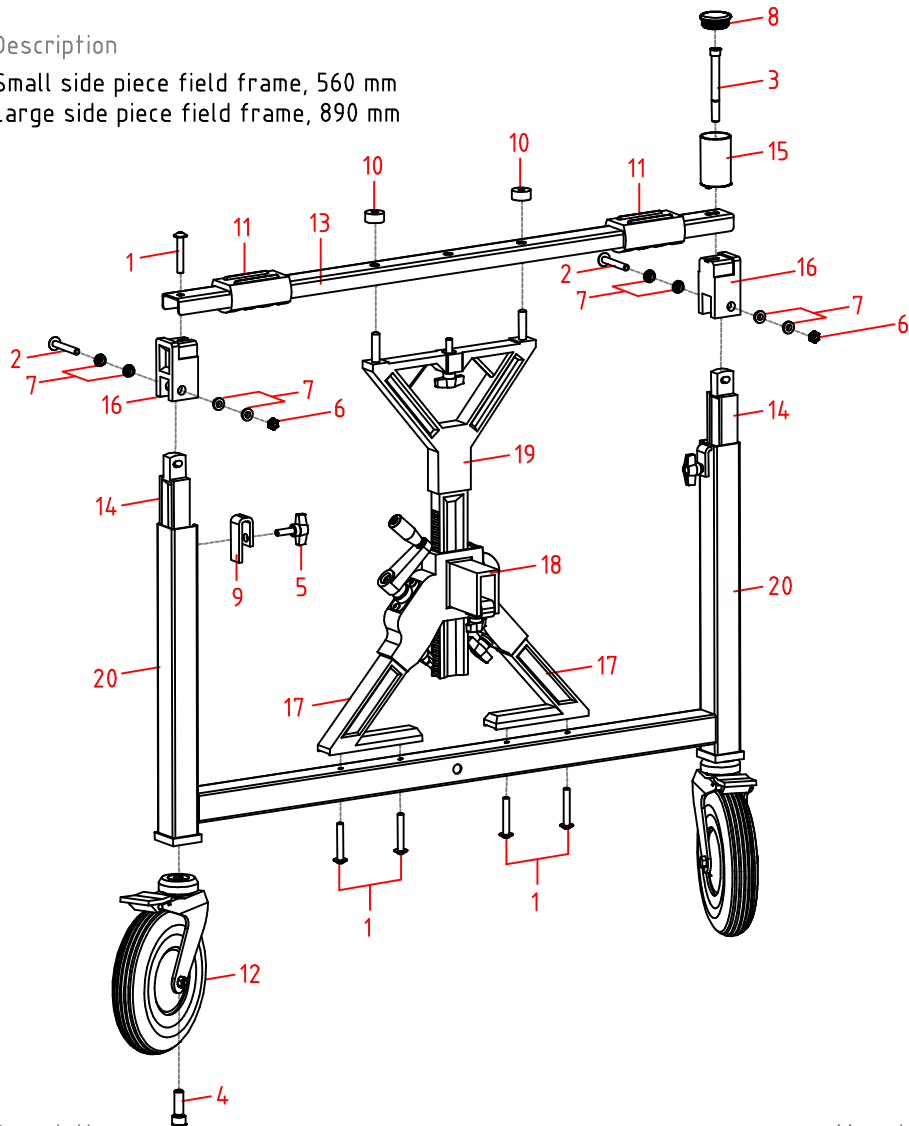
Cat#	Description
370	Side piece for vibraphone traveller frame



Pos#	Cat#	Description	More information
1	PB205	Hexagon socket head cap screw m8x10	
2	PB074	Hexagon socket head cap screw m10x30	
3	PB511	Wing-screw plastic m8x45	
4	PB408	Plain washer m10	
5	PBW06	Castor with brake 100mm , black	
6	PV041	Casting side piece traveller	
7	PM042	Leg for side piece field frame/traveller	
8	PMA01	Y-adjusting rod voyager/traveller, ass.	page 24
9	PMA05	Height adjustment, assembled	page 25

Sidepieces field frame

Cat#	Description
PMA12	Small side piece field frame, 560 mm
PMA13	Large side piece field frame, 890 mm



Pos#	Cat#	Description	More information
1	PB163	Hexagon socket button head cap screw with flange m8x50, black	
2	PB059	Hexagon socket button head cap screw with flange m8x55, black	
3	PB077	Hexagon socket head cap screw m8x90	
4	PB076	Hexagon socket head cap screw m12x35	
5	PB509	Wing-screw plastic m8x20, black	
6	PB330	Selflocking hexagon nut m8, black	
7	PBB11	Slide bearing nylon 8x12x6	
8	PBS14	Seal cap ϕ 40 mm	
9	PM021	Steel insert protection, black	
10	PM137	Plain washer 25x8x12 mm	
11	PM151	Rubber handgrip field frame	
12	PBW08	Swerve wheel with break, grey	
13	-	Beam for side piece, Cat# is dependet on instrument, see table X	
14	PM047	Sliding beam for field frame	
15	PM139	Mounting bush for connection rod field frame	
16	PM138	Hinge joint field frame	
17	PM042	Leg for side piece field frame/traveller	
18	PMA05	Height adjustment field frame/traveller, assembled	
19	PMA30	Y-adjusting rod field frame, assembled	
20	-	Side piece (weld), Cat# is dependet on instrument, see table XI	

More information

Page 25
Page 24

table X, pos 13

Type	Cat#	Description
PMA12	PM034	Beam for side piece, 540 mm
PMA13	PM038	Beam for side piece, 870 mm

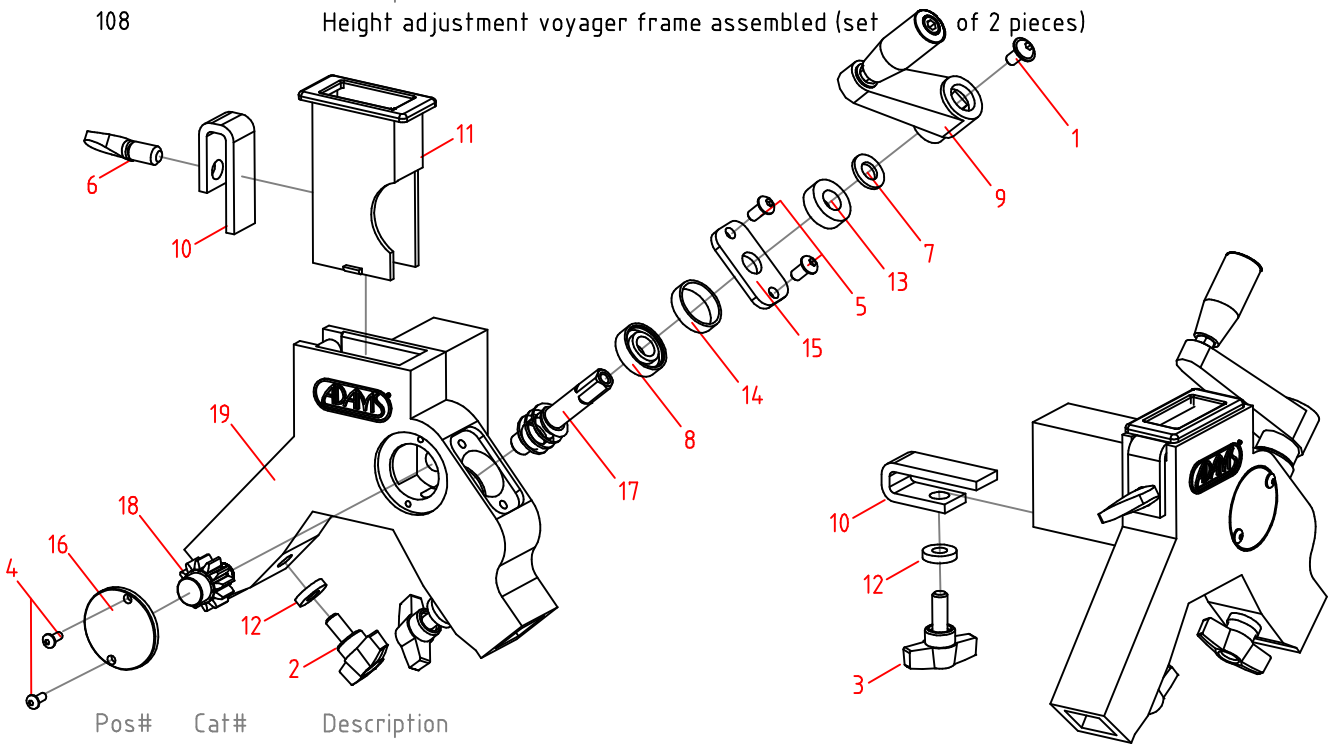
table XI, pos 20

Type	Cat#	Description
PMA12	PM075	Side piece (weld), 560 mm
PMA13	PM077	Side piece (weld), 870 mm

Height adjustment assembled voyager frame

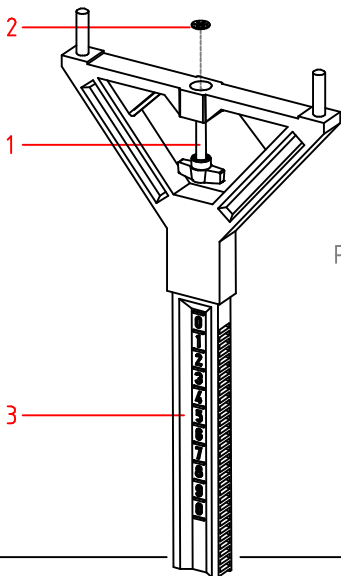
Cat#
108

Description
Height adjustment voyager frame assembled (set of 2 pieces)



Pos#	Cat#	Description
1	PB055	Hexagon socket button head cap screw with flange m6x12, black
2	PB507	Wing-screw plastic, m8x15
3	PB509	Wing-screw plastic, m8x20
4	PB112	Hexagon socket button head cap screw m4x10, black
5	PB114	Hexagon socket button head cap screw m6x12, black
6	PB131	Thumb screw m10x20, black
7	PB411	Plain washer m12, black
8	PBB03	Bearing
9	PB533	Crank handle with plastic grip 65 mm, black
10	PM021	Steel insert protection
11	PM135	Plastic slide for connection part
12	PM005	Plain washer rubber 18x8x4 mm
13	PM007	Plain washer rubber 25x12x8.5 mm
14	PM072	Fill washer
15	PM073	Rectangular steel plate for connection part
16	PM074	Circular steel plate for connection part
17	PM071	Worm wheel
18	PM020	Cogwheel 12t.
19	PM068	Connection part, not assembled

Y-height adjustment part



Cat#	Description
PMA01	Y-height adjustment part voyager/traveller frame, assembled
PMA30	Y-height adjustment part field frame, assembled

Pos#	Cat#	Description
1	-	Wing-screw plastic, Cat# is dependet on instrument, see table XII
2	PB433	Fixing washer for wing-screw
3	PM022	Y-height adjustment part, not assembled

table XII

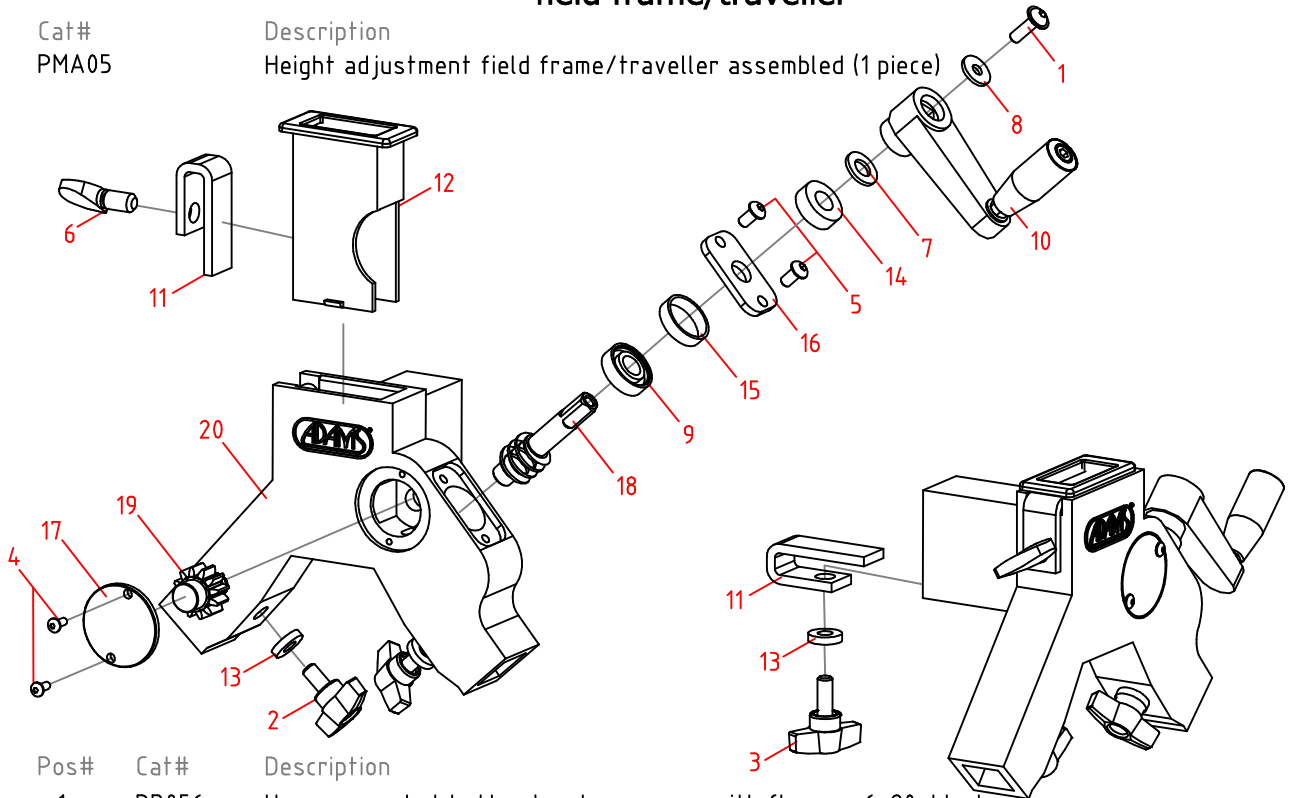
Type	Cat#	Description
PMA01	PB511	Wing-screw plastic, m8x45
PMA30	PB512	Wing-screw plastic, m8x60

Height adjustment assembled field frame/traveller

Cat#
PMA05

Description

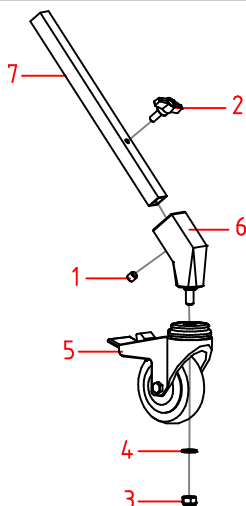
Height adjustment field frame/traveller assembled (1 piece)



Pos# Cat#

Description

1	PB056	Hexagon socket button head cap screw with flange m6x20, black
2	PB507	Wing-screw plastic, m8x15
3	PB509	Wing-screw plastic, m8x20
4	PB112	Hexagon socket button head cap screw m4x10, black
5	PB114	Hexagon socket button head cap screw m6x12, black
6	PB131	Thumb screw m10x20, black
7	PB411	Plain washer m12, black
8	PB428	Plain washer m6, black
9	PBB03	Bearing
10	PB534	Crank handle with plastic grip 80 mm, black
11	PM021	Steel insert protection
12	PM135	Plastic slide for connection part
13	PM005	Plain washer rubber 18x8x4 mm
14	PM007	Plain washer rubber 25x12x8.5 mm
15	PM072	Fill washer
16	PM073	Rectangular steel plate for connection part
17	PM074	Circular steel plate for connection part
18	PM071	Worm wheel
19	PM020	Cogwheel 12t.
20	PM068	Connection part, not assembled



Cat#
PVA37

Description

Leg with wheel vibraphone voyager

Pos#

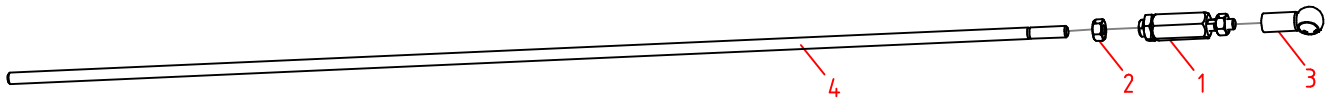
Cat#

Description

1	PB099	Hexagon socket set screw m10x10, black
2	PB508	Wing-screw plastic, m8x20
3	PB312	Hexagon nut with plastic insert m10
4	PB408	Plain washer m10
5	PBW06	Castor with brake 100 mm, black
6	PM070	Wheel holder for voyager frame, black
7	PV072	Leg for vibraphone voyager

Inside piece for tension rod

Cat#	Description
PVA31	Inside piece for tension rod pedal vibraphone

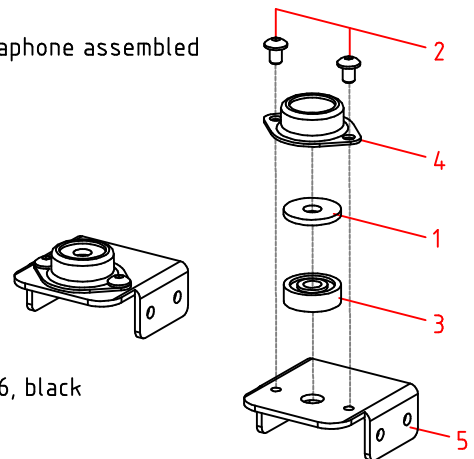


Pos#	Cat#	Description
1	PBS35	Compensating coupling
2	PB300	Hexagon nut m6
3	PBX06	Ball seating
4	PV145	Inside piece for tension rod vibraphone

Slide clamp for valve bar

Cat#	Description
PVA16	Slide clamp small (45 mm) for valve bar vibraphone assembled

Pos#	Cat#	Description
1	PV090	Ring of felt 6x19x2, black
2	PB156	Hexagon socket button head cap screw m4x6, black
3	PBB33	Bearing for slide clamp vibraphone
4	PV115	Bearing holder (open) vibraphone
5	PV113	Slide clamp (45 mm) for valve bar vibraphone, not assembled



Slide clamp for valve bar

Cat#	Description
PVA17	Slide clamp large (65 mm) for valve bar vibraphone artist/concert assembled
PVA18	Slide clamp large (60 mm) for valve bar vibraphone solist assembled

Pos#	Cat#	Description
1	PV061	Felt washer 19 mm, black
2	PB156	Hexagon socket button head cap screw m4x6, black
3	PBB33	Bearing for slide clamp vibraphone
4	PV114	Bearing holder (closed) vibraphone
5	-	Slide clamp, Cat# is dependet on type see table XIII

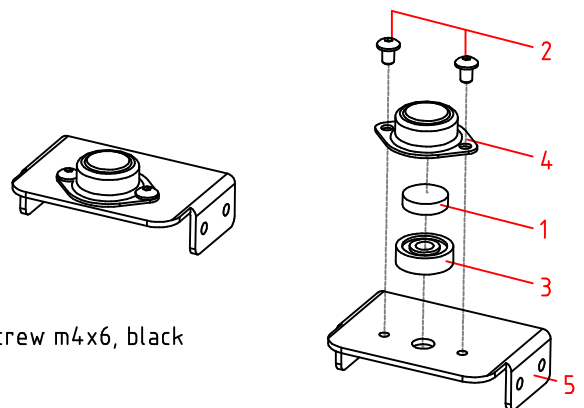


table XIII

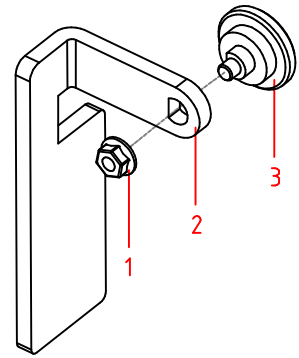
Type	Cat#	Description
PVA17	PV112	Slide clamp large (65 mm) for valve bar vibraphone artist/concert assembled
PVA18	PV111	Slide clamp large (60 mm) for valve bar vibraphone solist assembled

Height adjustable holder

Cat# PVA38 Description Height adjustable holder for damping assembled



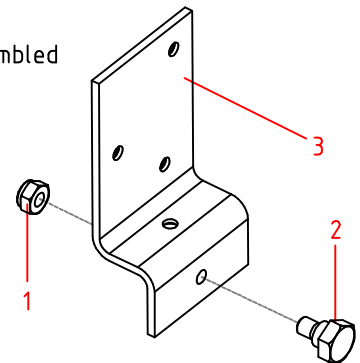
Pos#	Cat#	Description
1	PB315	Hexagon nut m6, black
2	PV005	Bracket piece height adjustment
3	PV042	Height adjustable holder for damping, not assembled



Fixing plate for adjustment

Cat# PVA24 Description Fixing plate for adjustment damping vibraphone assembled

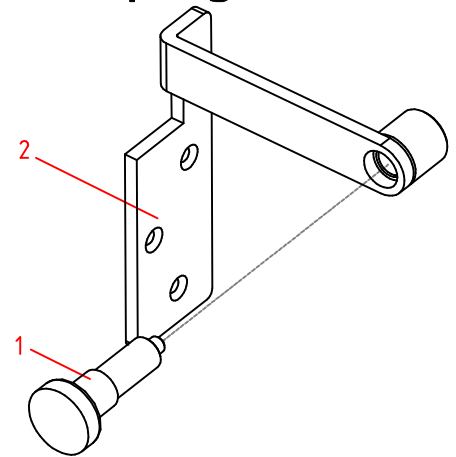
Pos#	Cat#	Description
1	PB329	Selflocking hexagon nut m6, black
2	PV062	Adjusting bolt 4.2x12.2x9
3	PV004	Fixing plate for adjustment damping



Holder for damping left

Cat# PVA25 Description Holder for damping left assembled

Pos#	Cat#	Description
1	PB159	Locking bolt m12
2	PV007	Holder for dampeningrail left side



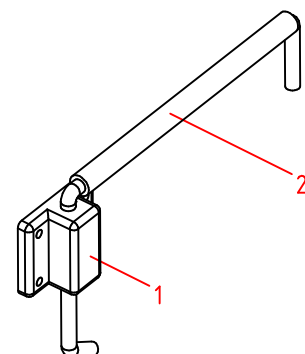
Spacer bracket assembled

Cat# PVA39 Description Spacer bracket, 121 mm assembled
 Cat# PVA40 Description Spacer bracket, 129 mm assembled

Pos#	Cat#	Description
1	PM016	Rubber distance block
2	-	Cat# is dependet on type, see table XIV

XIV

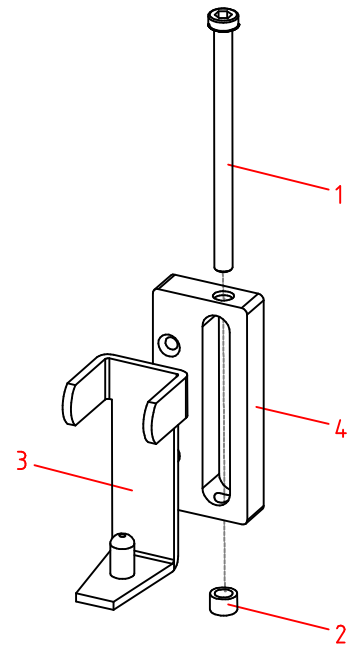
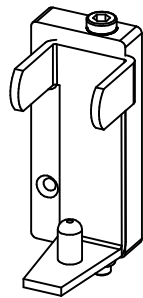
Type	Cat#	Description
PVA39	PV080	Spacer bracket, 121 mm
PVA40	PV081	Spacer bracket, 129 mm



Height adjustable railholder

Cat#
PVA21

Description
Height adjustable railholder for vibraphone assembled



Pos#	Cat#	Description
1	PB157	Hexagon socket head cap screw m6x90, black
2	PB345	Round nut with plastic insert m6
3	PM049	Suspension bracket for height adjustment, black
4	PV028	Height adjustable holder for rails vibraphone, black