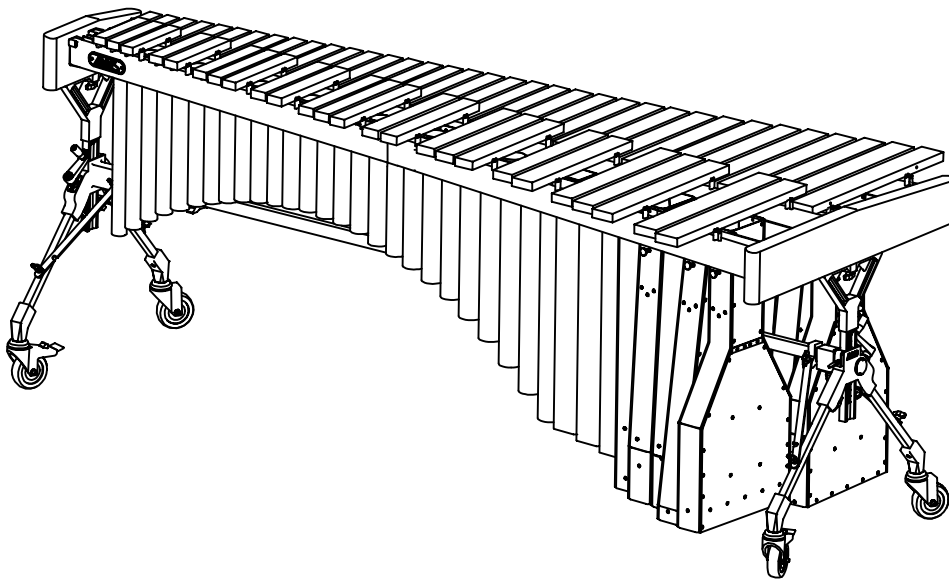


ADAMS[®]

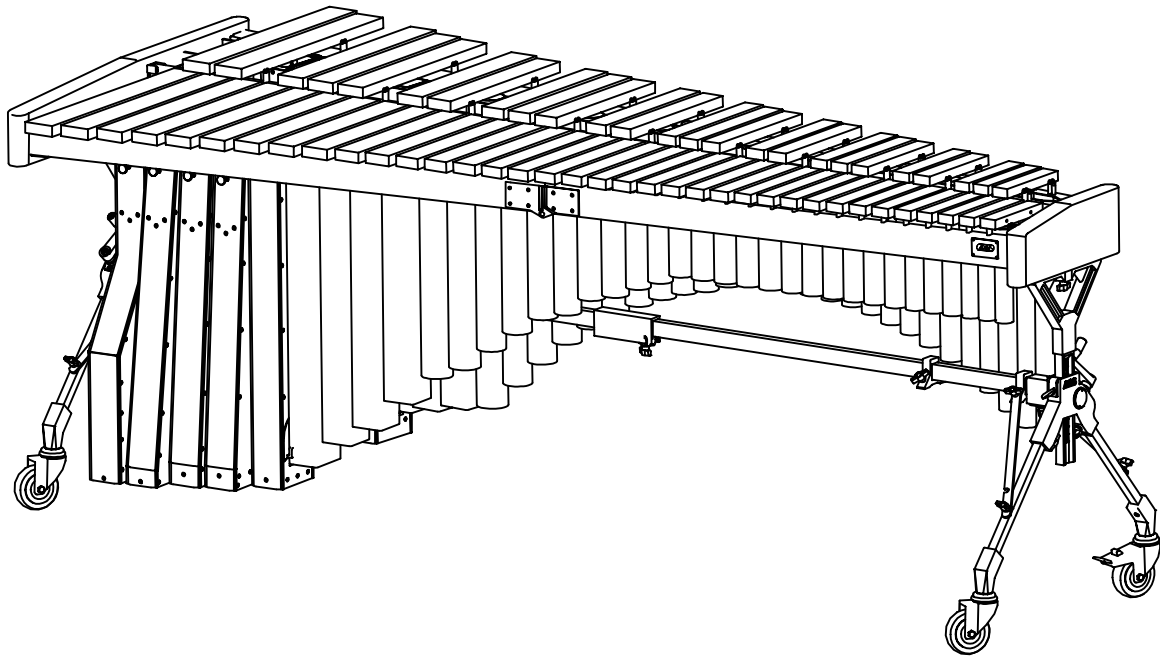
adams musical instruments



Replacement Parts Catalog - Artist Marimba -

juli 2003

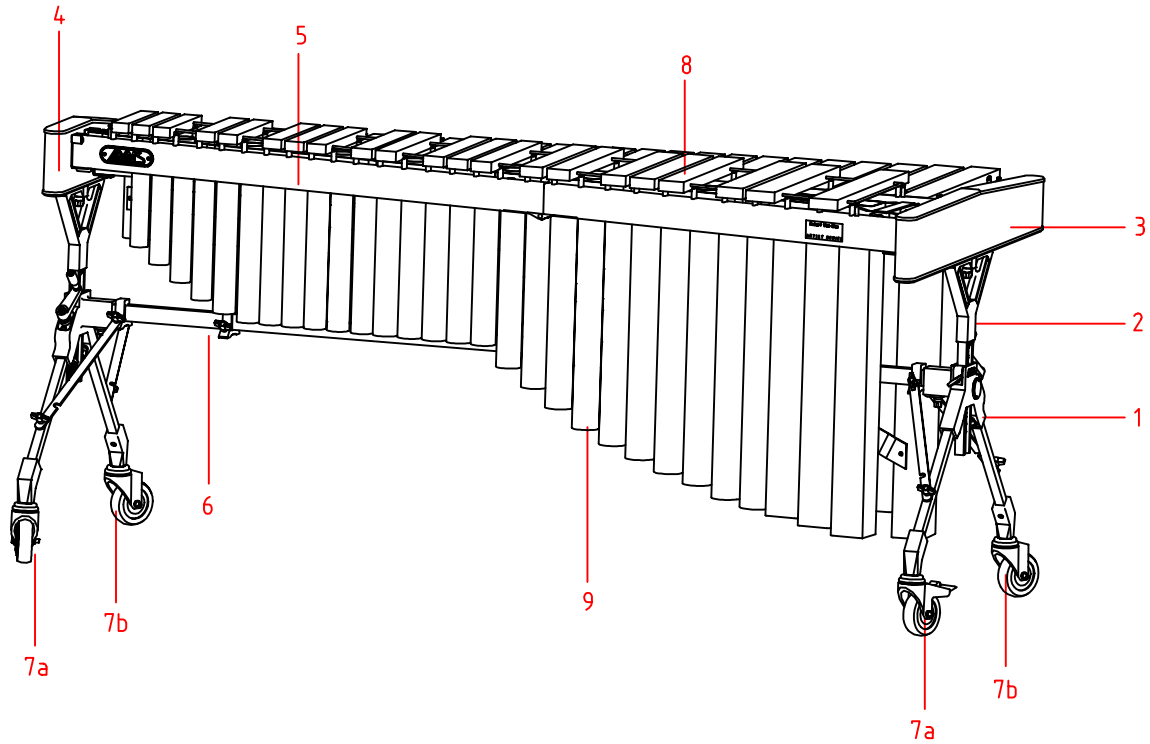
Artist Marimbas



Cat#	Description	More information
MAHV43	Marimba Artist MAHV43, 4 1/3 oct. A2-C7, rosewood	page 2
MAHV46	Marimba Artist MAHV46, 4 2/3 oct. E2-C7, rosewood	page 3
MAHV50	Marimba Artist MAHV43, 5 oct. C2-C7, rosewood	page 4
MAHC43	Marimba Artist MAHC43 Classic, 4 1/3 oct. A2-C7, rosewood	page 5
MAHC50	Marimba Artist MAHC50 Classic, 5 oct. C2-C7, rosewood	page 6

Marimba Artist MAHV43

Cat# Description
 MAHV43 Marimba Artist MAHV43, 4 1/3 oct. A2-C7, rosewood

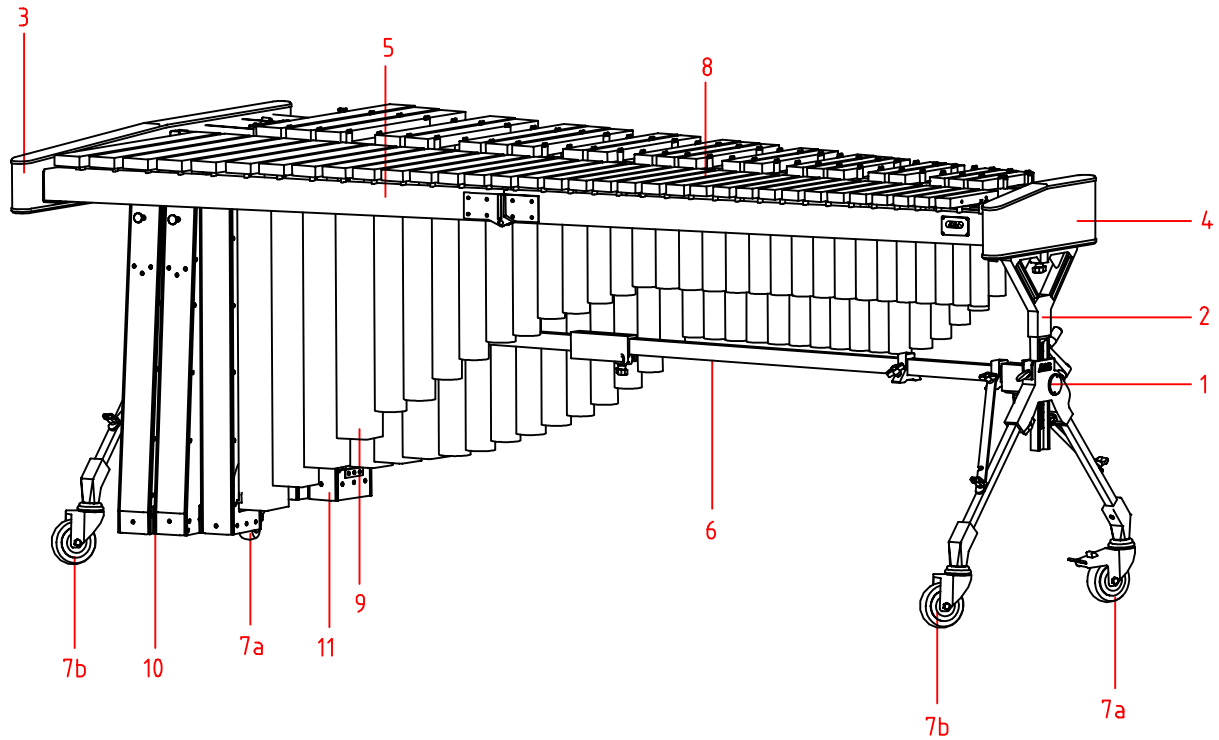


Pos#	Cat#	Description	More information
1	107	Height adjustment assembled (set of 2 pieces)	page 7
2	PMA01	Y-adjusting rod voyager frame assembled, black	page 7
3	046	Large end piece for MAHV43	page 8
4	045	Small end piece for MAHV	page 8
5	025	Set of rails for MAHV43	page 9
6	PMA74	Connecting rod marimba artist 4 1/3 oct.	page 14
7a	PMA03B	Leg with wheel 100 mm, with wheel	page 15
7b	PMA03N	Leg with wheel 100 mm, without wheel	page 15
8	081	Set of bars for marimba artist 4 1/3 oct.	page 16
9	001	Set of resonators for MAHV, A2-C7	page 17

Replaced with
 PMA102 &
 PMA103

Marimba Artist MAHV46

Cat# Description
 MAHV46 Marimba Artist MAHV46, 4 2/3 oct. A2-C7, rosewood

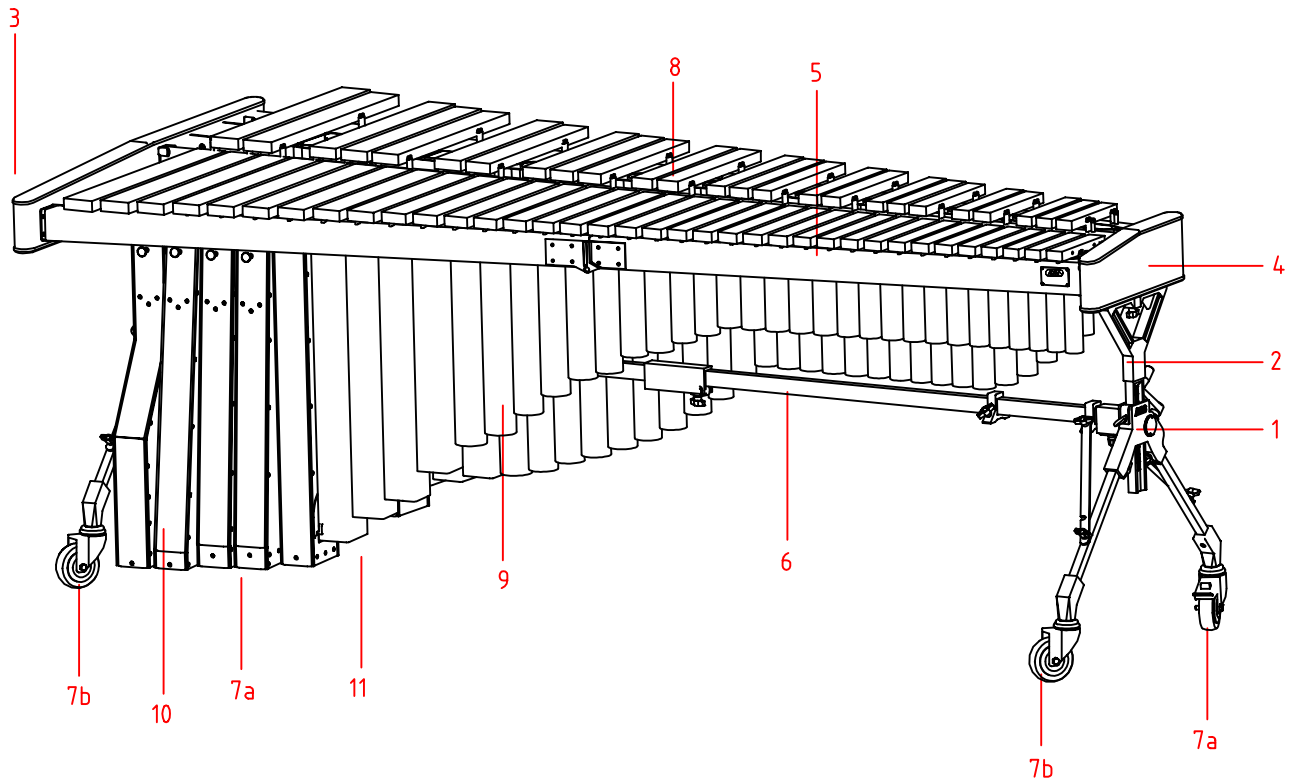


Pos#	Cat#	Description	More information
1	107	Height adjustment assembled (set of 2 pieces)	page 7
2	PMA01	Y-adjusting rod voyager frame assembled, black	page 7
3	047	Large end piece for MAHV46	page 8
4	045	Small end piece for MAHV	page 8
5	026	Set of rails for MAHV46	page 10
6	PMA75	Connecting rod marimba artist 4 2/3 oct.	page 14
7a	PMA03B	Leg with wheel 100 mm, with wheel	page 15
7b	PMA03N	Leg with wheel 100 mm, without wheel	page 15
8	082	Set of bars for marimba artist 4 2/3 oct.	page 16
9	001	Set of resonators for MAHV, A2-C7	page 17
10	013N	Set of natural resonators for MAHV46, E2-G2	page 18
11	013A	Set of accidental resonators for MAHV46, F#2-G#2	page 18

Replaced with
 PMA102 &
 PMA103

Marimba Artist MAHV50

Cat# Description
 MAHV50 Marimba Artist MAHV50, 5 oct. A2-C7, rosewood

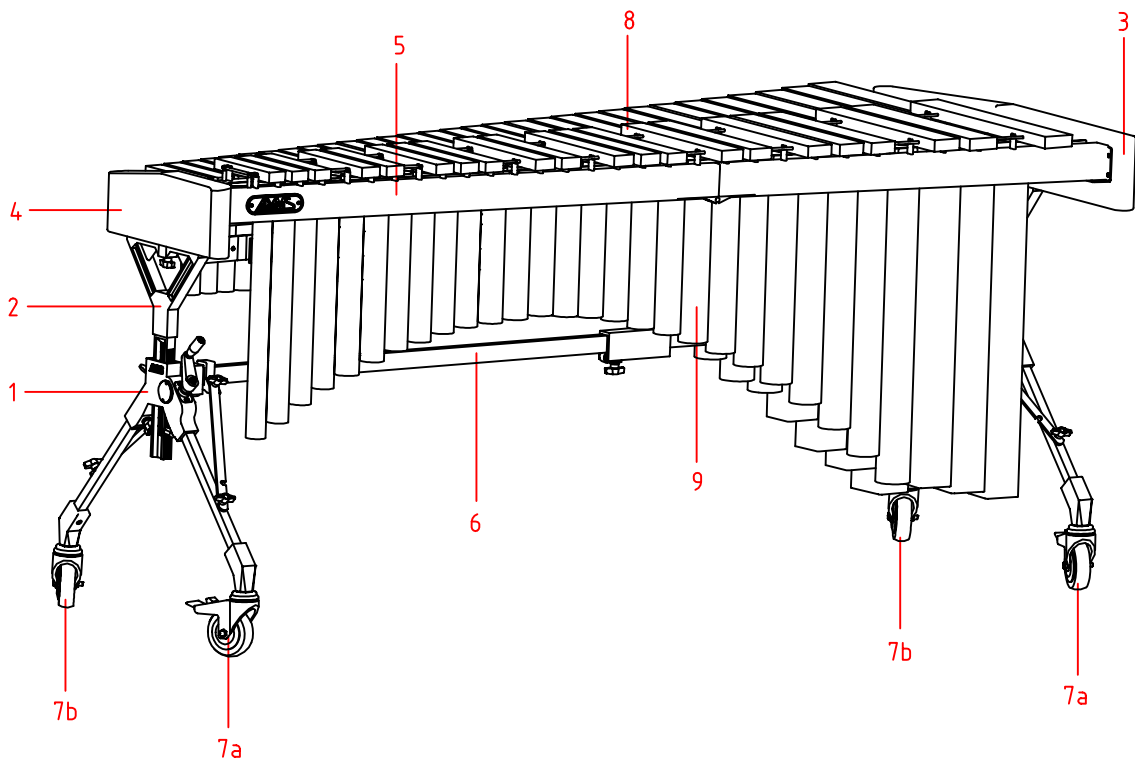


Pos#	Cat#	Description	More information
1	107	Height adjustment assembled (set of 2 pieces)	page 7
2	PMA01	Y-adjusting rod voyager frame assembled, black	page 7
3	048	Large end piece for MAHV50	page 8
4	045	Small end piece for MAHV	page 8
5	027	Set of rails for MAHV50	page 11
6	PMA76	Connecting rod marimba artist 5 oct.	page 14
7a	PMA03B	Leg with wheel 100 mm, with wheel	page 15
7b	PMA03N	Leg with wheel 100 mm, without wheel	page 15
8	083	Set of bars for marimba artist 5 oct.	page 16
9	001	Set of resonators for MAHV, A2-C7	page 17
10	014	Set of natural resonators for MAHV50, C2-G2	page 19
11	015	Set of accidental resonators for MAHV50, C#2-G#2	page 19

Replaced with
 PMA102 &
 PMA103

Marimba Artist MAHC43

Cat# MAHC43 Description Marimba Artist MAHC43 Classic, 4 1/3 oct. A2-C7, rosewood

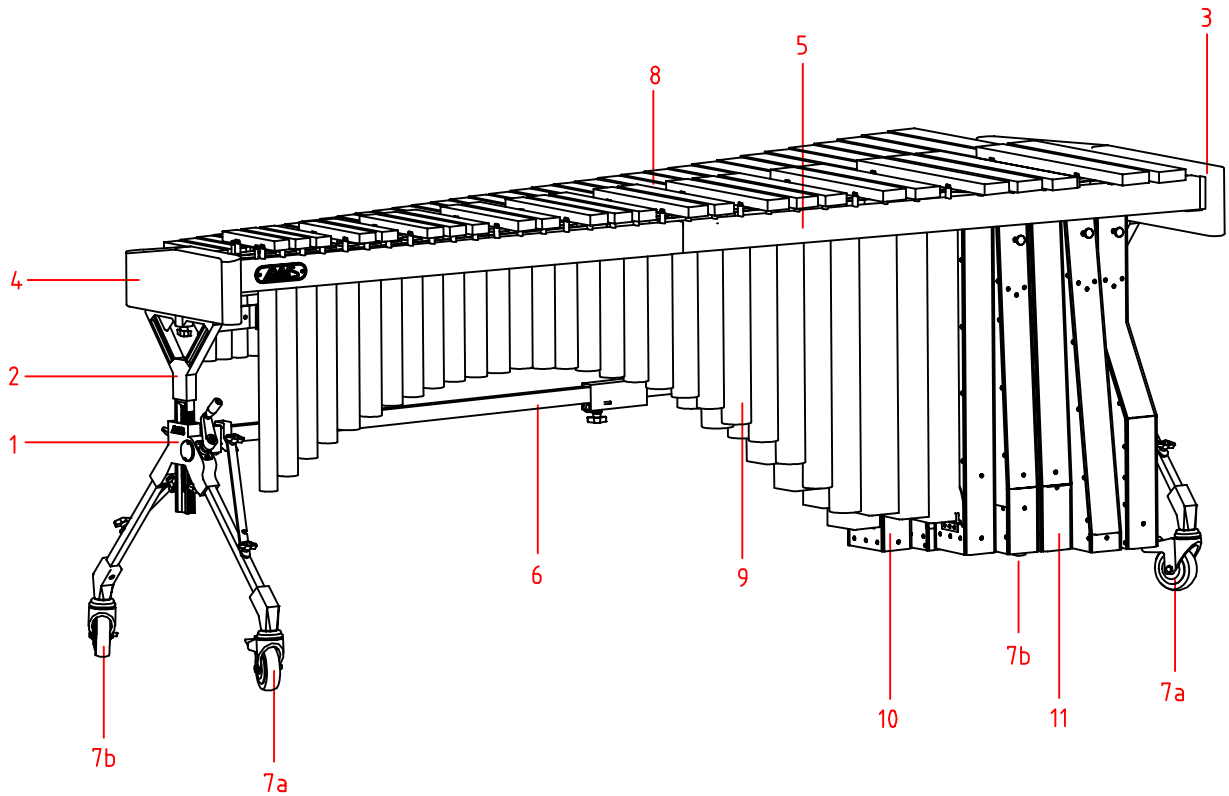


Pos#	Cat#	Description	More information
1	107	Height adjustment assembled (set of 2 pieces)	page 7
2	PMA01	Y-adjusting rod voyager frame assembled, black	page 7
3	065	Large end piece for MAHC43	page 8
4	067	Small end piece for MAHC	page 8
5	023	Set of rails for MAHC43	page 12
6	PMA74	Connecting rod marimba artist 4 1/3 oct.	page 14
7a	PMA03B	Leg with wheel 100 mm, with wheel	page 15
7b	PMA03N	Leg with wheel 100 mm, without wheel	page 15
8	081	Set of bars for marimba artist 4 1/3 oct.	page 16
9	002	Set of resonators for MAHC, A2-C7	page 17

Replaced with PMA102 & PMA103

Marimba Artist MAHC50

Cat# Description
 MAHC50 Marimba Artist MAHC50 Classic, 5 oct. A2-C7, rosewood

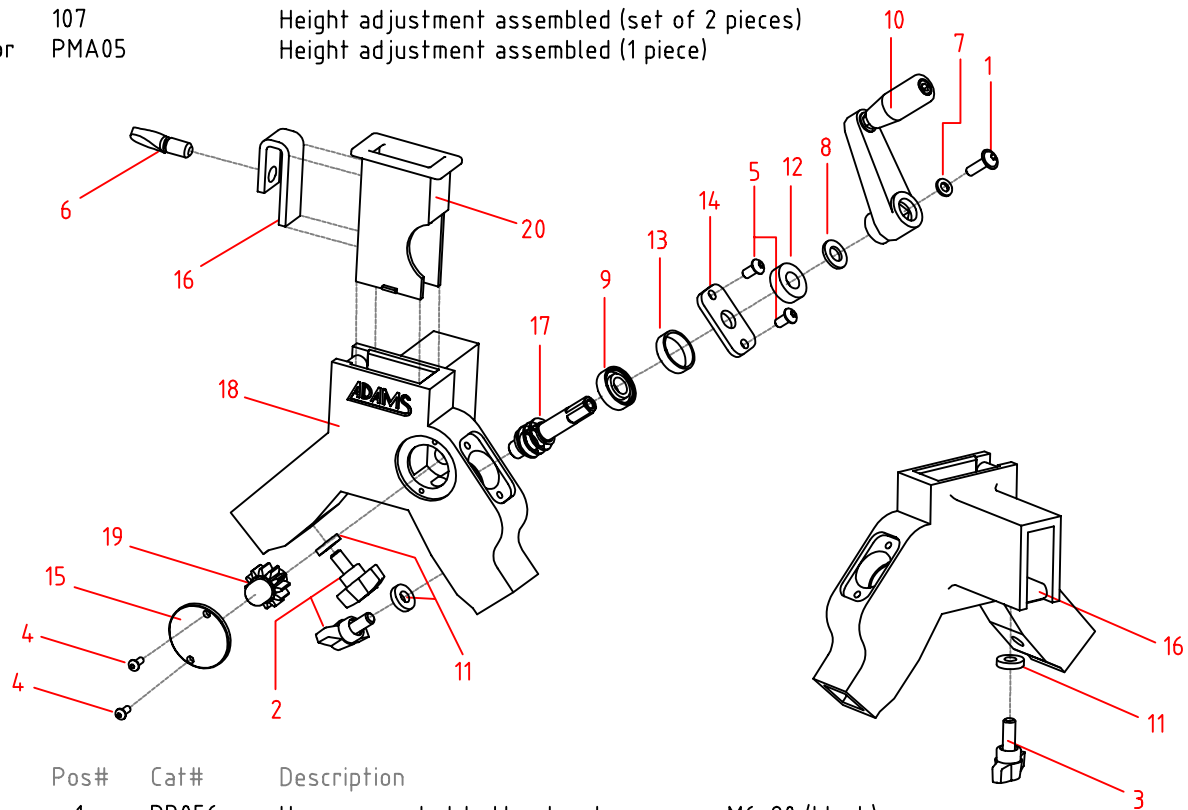


Pos#	Cat#	Description	More information
1	107	Height adjustment assembled (set of 2 pieces)	page 7
2	PMA01	Y-adjusting rod voyager frame assembled, black	page 7
3	066	Large end piece for MAHC50	page 8
4	067	Small end piece for MAHC	page 8
5	024	Set of rails for MAHC50	page 13
6	PMA76	Connecting rod marimba artist 5 oct.	page 14
7a	PMA03B	Leg with wheel 100 mm, with wheel	page 15
7b	PMA03N	Leg with wheel 100 mm, without wheel	page 15
8	083	Set of bars for marimba artist 5 oct.	page 16
9	002	Set of resonators for MAHC, A2-C7	page 17
10	016	Set of natural resonators for MAHC50, C2-G2	page 19
11	017	Set of accidental resonators for MAHC50, C#2-G#2	page 19

Replaced with
 PMA102 &
 PMA103

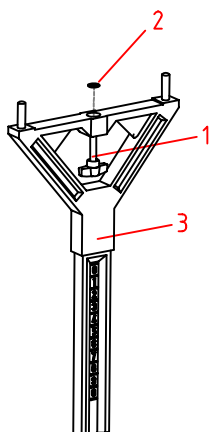
Height adjustment assembled

Cat#	Description
107	Height adjustment assembled (set of 2 pieces)
or PMA05	Height adjustment assembled (1 piece)



Pos#	Cat#	Description
1	PB056	Hexagon socket button head cap screw M6x20 (black)
2	PB507	Wing-screw plastic (wingwidth 40 mm) M8x15 (black)
3	PB509	Wing-screw plastic (wingwidth 40 mm) M8x20 (black)
4	PB112	Hexagon socket button head cap screw M4x10 (black)
5	PB114	Hexagon socket button head cap screw M6x12 (black)
6	PB131	Thumb screw steel M10x20 (black)
7	PB428	Plain washer M6 (black)
8	PB411	Plain washer M12 (black)
9	PBB03	Bearing
10	PB534	Crank handle plastic, grip lenght 80 mm (black)
11	PM005	Plain washer rubber 18x8x4 mm
12	PM007	Plain washer rubber 25x12x8.5 mm
13	PM072	Fill-washer
14	PM073	Steel disk (black)
15	PM074	Slice for height adjustment
16	PM021	Steel insert protection (black)
17	PM071	Worm wheel (yellow)
18	PM068	Connection part (black)
19	PM020	Cogwheel 12 t. for connection part
20	PM135	Plastic slide frame

Y-adjusting rod assembled

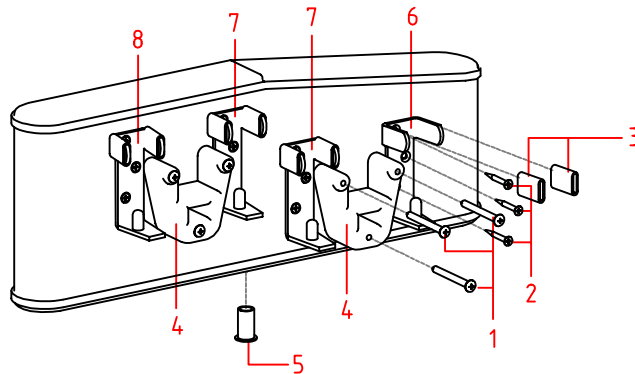


Cat#	Description
PMA01	Y-adjusting rod assembled voyager frame

Pos#	Cat#	Description
1	PB511	Wing-screw plastic (wingwidth 40 mm) M8x45
2	PB433	Fixing washers for wing screw
3	PM022	Y-adjusting rod

Small end piece

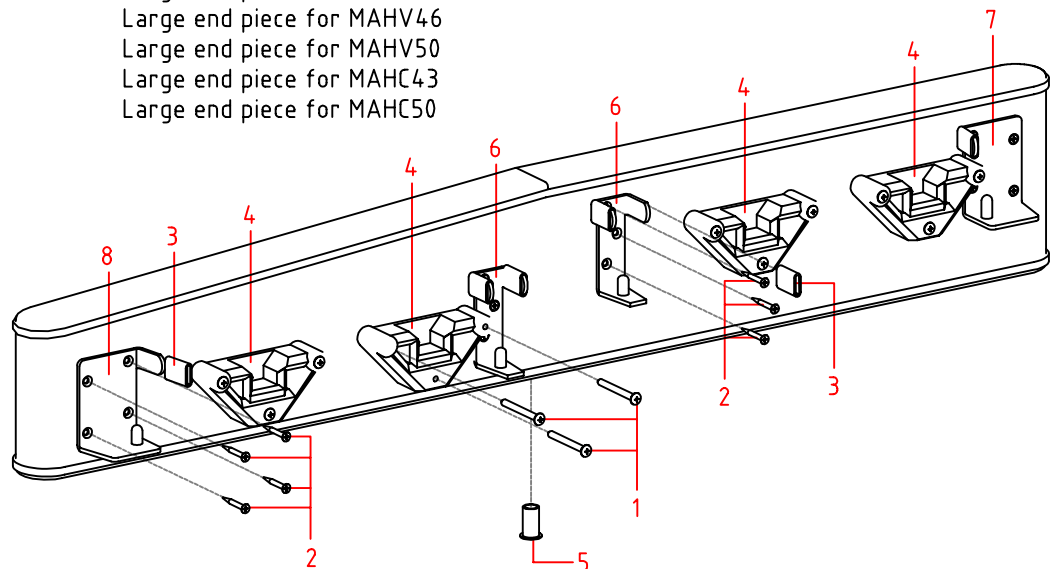
Cat#	Description
045	Small end piece for MAHV
067	Small end piece for MAHC



Pos#	Cat#	Description
1	PB126	Countersunk head tapping screw 4.8 x 50 mm, black
2	PB129	Cross recessed countersunk head screw 3.5 x 30 mm, black
3	PM004	Rubber sleeve 13 x 10 x 23, black
4	PM014	Suspension support for resonator, nr. 5
5	PD005	Countersunk head screw m8 x 23 mm, black
6	PM029	Suspension bracket for rails nr. 1, black
7	PM030	Suspension bracket for rails nr. 2, black
8	PM031	Suspension bracket for rails nr. 3, black

Large end piece

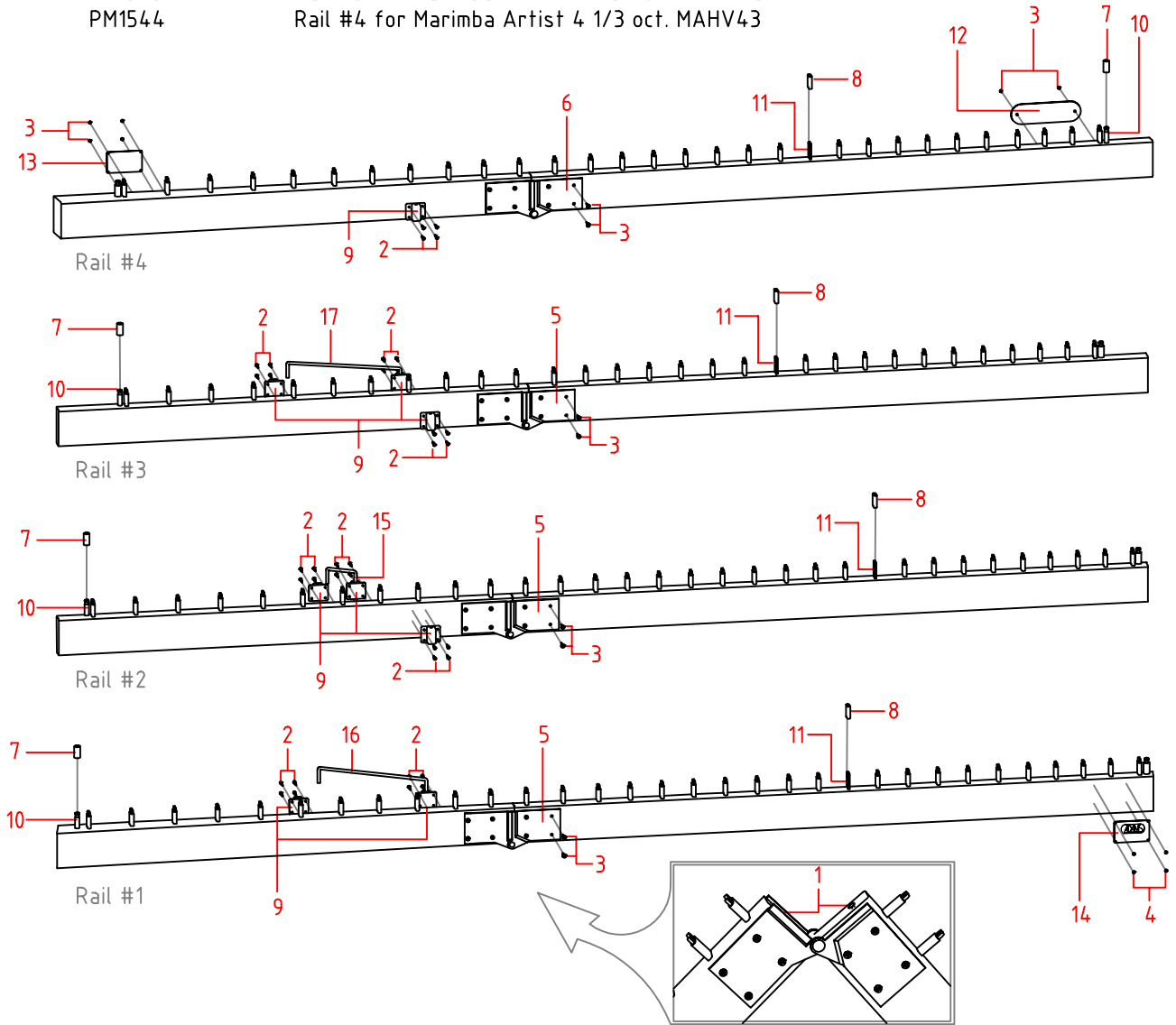
Cat#	Description
046	Large end piece for MAHV43
047	Large end piece for MAHV46
048	Large end piece for MAHV50
065	Large end piece for MAHC43
066	Large end piece for MAHC50



Pos#	Cat#	Description
1	PB126	Countersunk head tapping screw 4.8 x 50 mm, black
2	PB129	Cross recessed countersunk head screw 3.5 x 30 mm, black
3	PM004	Rubber sleeve 13 x 10 x 23, black
4	PM012	Suspension support for resonator, nr. 6
5	PD005	Countersunk head screw m8 x 23 mm, black
6	PM030	Suspension bracket for rails nr. 2, black
7	PM032	Suspension bracket for rails nr. 4, black
8	PM033	Suspension bracket for rails nr. 5, black

Set of rails for MAHV43

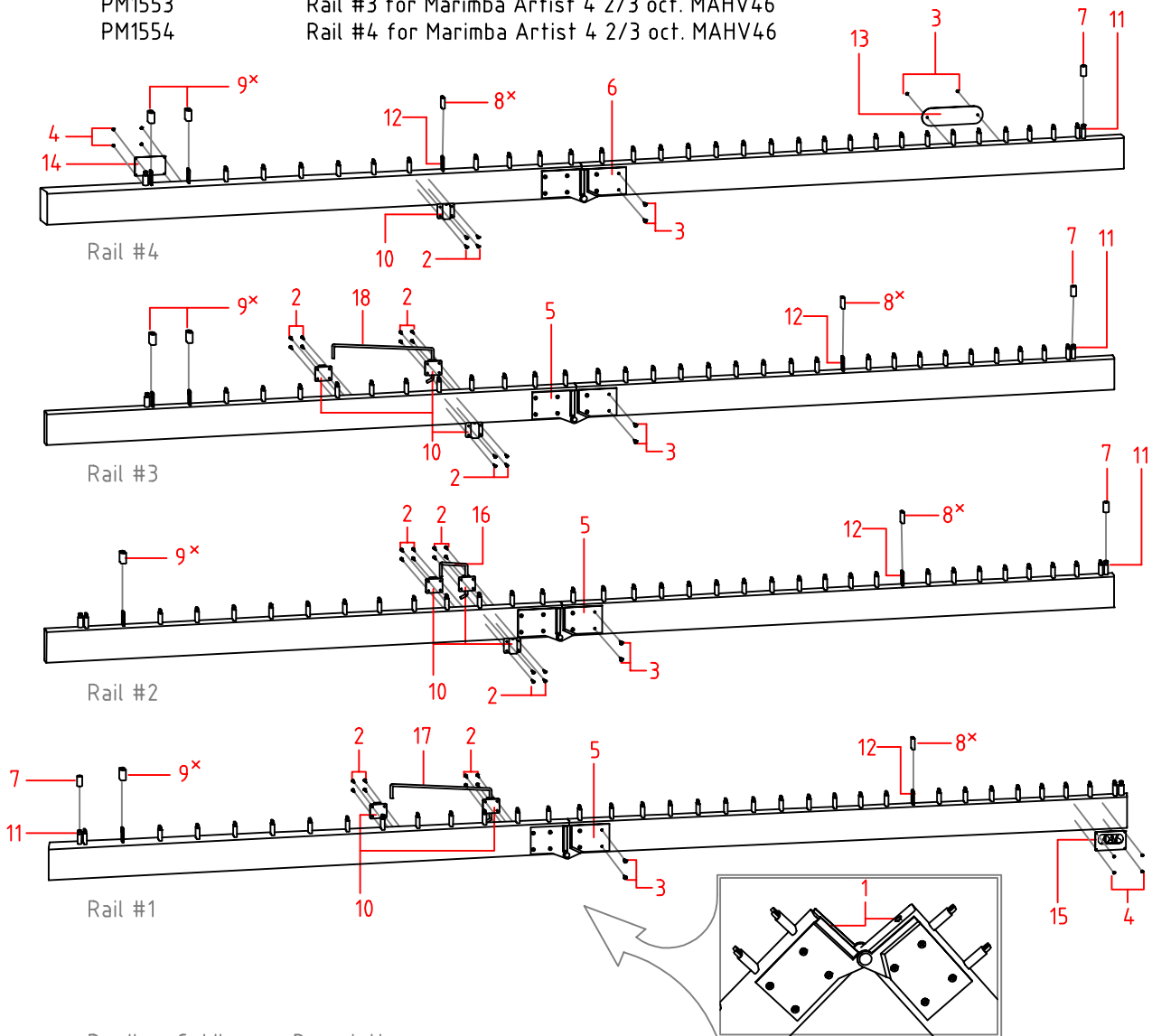
Cat#	Description
025	Set of rails for Marimba Artist 4 1/3 oct. MAHV43
PM1541	Rail #1 for Marimba Artist 4 1/3 oct. MAHV43
PM1542	Rail #2 for Marimba Artist 4 1/3 oct. MAHV43
PM1543	Rail #3 for Marimba Artist 4 1/3 oct. MAHV43
PM1544	Rail #4 for Marimba Artist 4 1/3 oct. MAHV43



Pos#	Cat#	Description
1	PB121	Cross recessed countersunk head screw 4.8 x 19 mm, black
2	PB124	Head tapping screw 2.9 x 19 mm, black
3	PB128	Cross recessed countersunk head screw 3.5 x 20 mm, black
4	PB141	Cross recessed countersunk head screw 2.2 x 6.5 mm, black
5	PB717	Hinge for rails marimba/xylophone
6	PB718	Hinge for rail #4 marimba artist
7	PM002	Rubber sleeve 11 x 8 x 21, black
8	PM003	Rubber sleeve 12 x 10 x 23, black
9	PM016	Rubber distance block
10	PM043	Cilindrical corner pen
11	PM104	Gaf open
12	PM107	Name plate Adams, silver
13	PM109	Name plate Robert v. Sice
14	PM113	Type plate Adams: Marimba Artist
15	PM055	Spacer bracket, 55 mm
16	PM053	Spacer bracket, 205 mm
17	PM054	Spacer bracket, 210 mm

Set of rails for MAHV46

Cat#	Description
026	Set of rails for Marimba Artist 4 2/3 oct. MAHV46
PM1551	Rail #1 for Marimba Artist 4 2/3 oct. MAHV46
PM1552	Rail #2 for Marimba Artist 4 2/3 oct. MAHV46
PM1553	Rail #3 for Marimba Artist 4 2/3 oct. MAHV46
PM1554	Rail #4 for Marimba Artist 4 2/3 oct. MAHV46

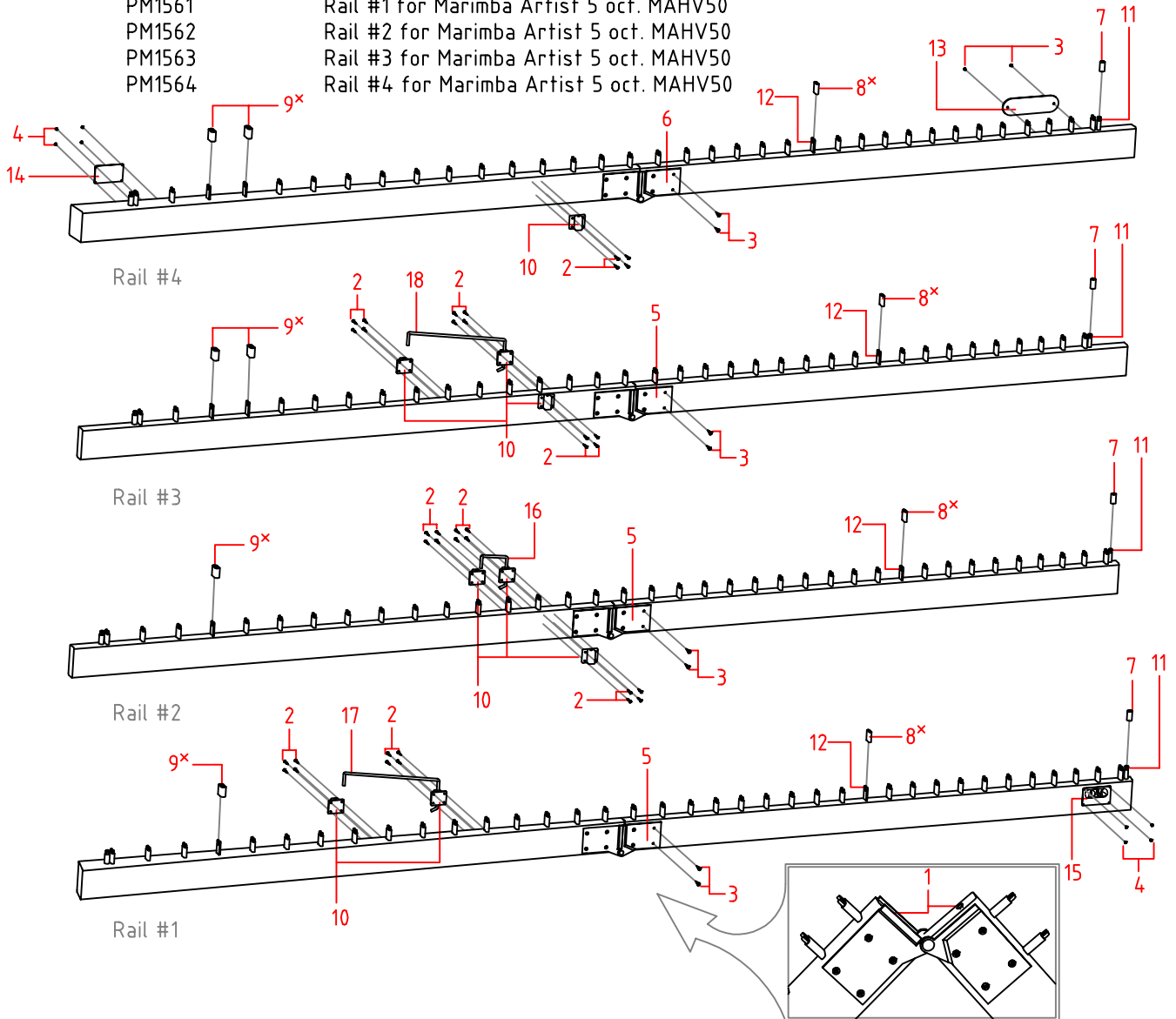


Pos#	Cat#	Description
1	PB121	Cross recessed countersunk head screw 4.8 x 19 mm, black
2	PB124	Head tapping screw 2.9 x 19 mm, black
3	PB128	Cross recessed countersunk head screw 3.5 x 20 mm, black
4	PB141	Cross recessed countersunk head screw 2.2 x 6.5 mm, black
5	PB717	Hinge for rails marimba/xylophone
6	PB718	Hinge for rail #4 marimba artist
7	PM002	Rubber sleeve 11 x 8 x 21, black
8 ^x	PM003	Rubber sleeve 12 x 10 x 23, black
9 ^x	PM006	Plain washer rubber 18 x 10 x 22, black
10	PM016	Rubber distance block
11	PM043	Cilindrical corner pen
12	PM104	Gaf open
13	PM107	Name plate Adams, silver
14	PM109	Name plate Robert v. Sice
15	PM113	Type plate Adams: Marimba Artist
16	PM055	Spacer bracket, 55 mm
17	PM053	Spacer bracket, 205 mm
18	PM054	Spacer bracket, 210 mm

* Pos #9 is only used at the places as drawn, for the rest of the gafs is used pos#8

Set of rails for MAHV50

Cat#	Description
027	Set of rails for Marimba Artist 5 oct. MAHV50
PM1561	Rail #1 for Marimba Artist 5 oct. MAHV50
PM1562	Rail #2 for Marimba Artist 5 oct. MAHV50
PM1563	Rail #3 for Marimba Artist 5 oct. MAHV50
PM1564	Rail #4 for Marimba Artist 5 oct. MAHV50

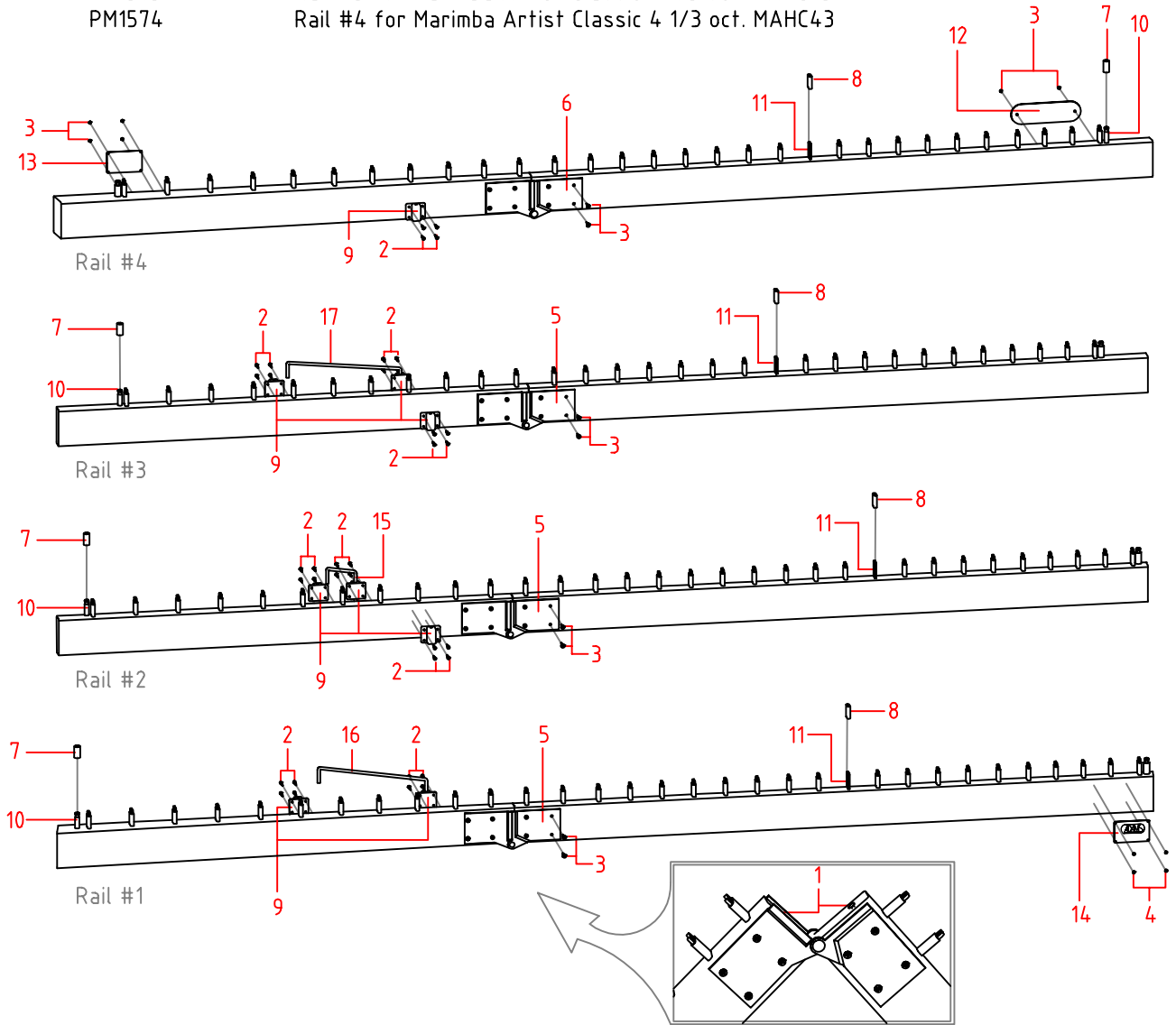


Pos#	Cat#	Description
1	PB121	Cross recessed countersunk head screw 4.8 x 19 mm, black
2	PB124	Head tapping screw 2.9 x 19 mm, black
3	PB128	Cross recessed countersunk head screw 3.5 x 20 mm, black
4	PB141	Cross recessed countersunk head screw 2.2 x 6.5 mm, black
5	PB717	Hinge for rails marimba/xylophone
6	PB718	Hinge for rail #4 marimba artist
7	PM002	Rubber sleeve 11 x 8 x 21, black
8 ^x	PM003	Rubber sleeve 12 x 10 x 23, black
9 ^x	PM006	Plain washer rubber 18 x 10 x 22, black
10	PM016	Rubber distance block
11	PM043	Cilindrical corner pen
12	PM104	Gaf open
13	PM107	Name plate Adams, silver
14	PM109	Name plate Robert v. Sice
15	PM113	Type plate Adams: Marimba Artist
16	PM055	Spacer bracket, 55 mm
17	PM053	Spacer bracket, 205 mm
18	PM054	Spacer bracket, 210 mm

* Pos #9 is only used at the places as drawn, for the rest of the gaffs is used pos#8

Set of rails for MAHC43

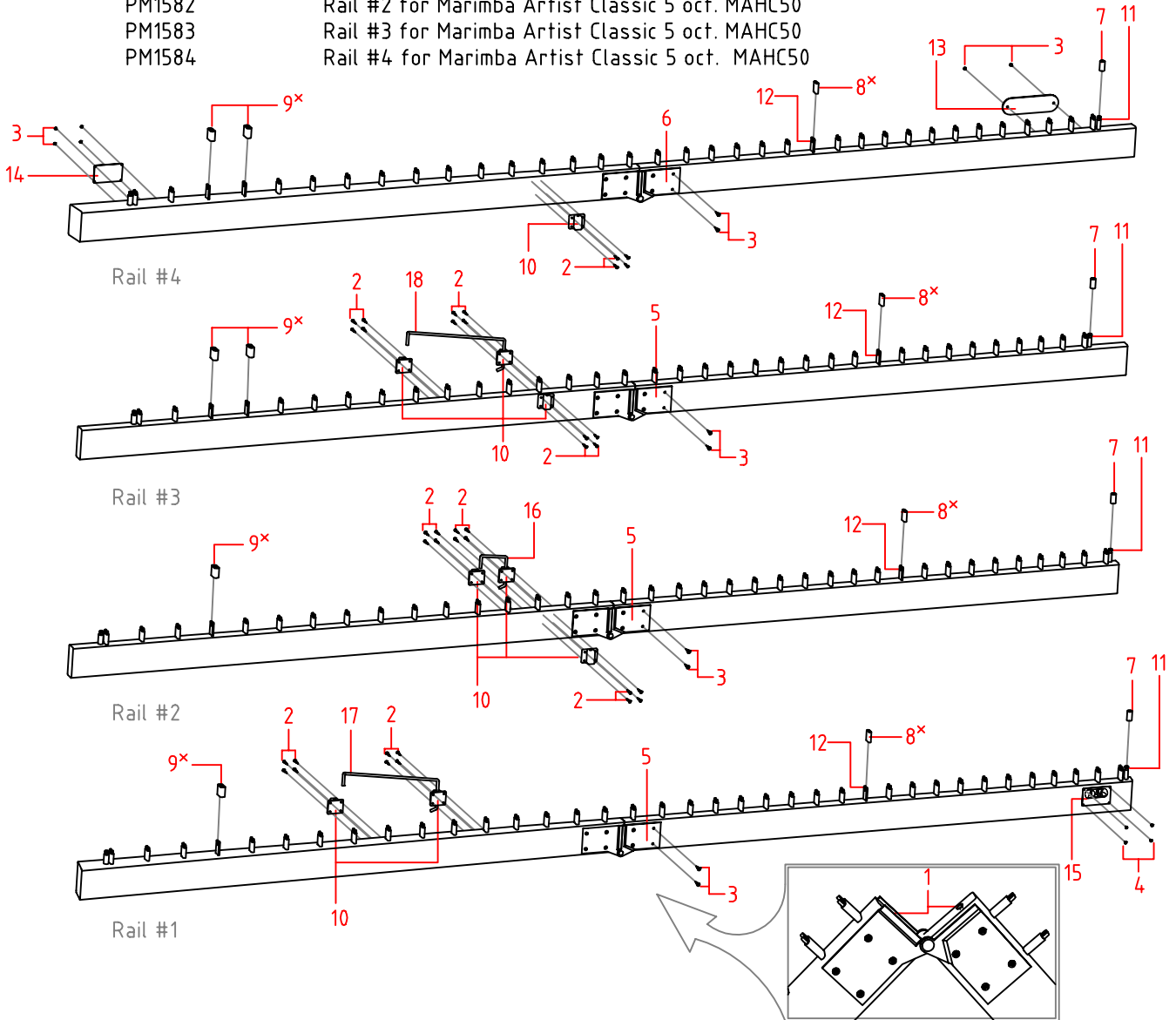
Cat#	Description
023	Set of rails for Marimba Artist Classic 4 1/3 oct. MAHC43
PM1571	Rail #1 for Marimba Artist Classic 4 1/3 oct. MAHC43
PM1572	Rail #2 for Marimba Artist Classic 4 1/3 oct. MAHC43
PM1573	Rail #3 for Marimba Artist Classic 4 1/3 oct. MAHC43
PM1574	Rail #4 for Marimba Artist Classic 4 1/3 oct. MAHC43



Pos#	Cat#	Description
1	PB121	Cross recessed countersunk head screw 4.8 x 19 mm, black
2	PB124	Head tapping screw 2.9 x 19 mm, black
3	PB128	Cross recessed countersunk head screw 3.5 x 20 mm, black
4	PB141	Cross recessed countersunk head screw 2.2 x 6.5 mm, black
5	PB717	Hinge for rails marimba/xylophone
6	PB718	Hinge for rail #4 marimba artist
7	PM002	Rubber sleeve 11 x 8 x 21, black
8	PM003	Rubber sleeve 12 x 10 x 23, black
9	PM016	Rubber distance block
10	PM043	Cilindrical corner pen
11	PM104	Gaf open
12	PM106	Name plate Adams, gold
13	PM112	Name plate "Classic" artist series
14	PM113	Type plate Adams: Marimba Artist
15	PM055	Spacer bracket, 55 mm
16	PM053	Spacer bracket, 205 mm
17	PM054	Spacer bracket, 210 mm

Set of rails for MAHC50

Cat#	Description
024	Set of rails for Marimba Artist Classic5 oct. MAHC50
PM1581	Rail #1 for Marimba Artist Classic 5 oct. MAHC50
PM1582	Rail #2 for Marimba Artist Classic 5 oct. MAHC50
PM1583	Rail #3 for Marimba Artist Classic 5 oct. MAHC50
PM1584	Rail #4 for Marimba Artist Classic 5 oct. MAHC50

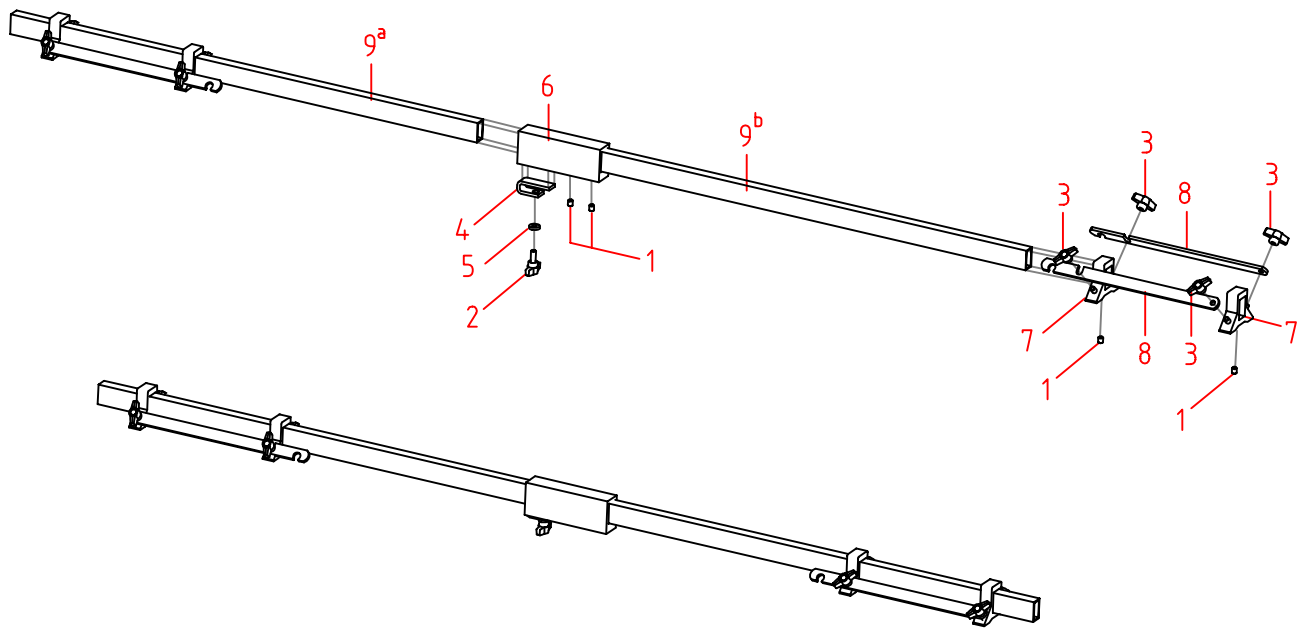


Pos#	Cat#	Description
1	PB121	Cross recessed countersunk head screw 4.8 x 19 mm, black
2	PB124	Head tapping screw 2.9 x 19 mm, black
3	PB128	Cross recessed countersunk head screw 3.5 x 20 mm, black
4	PB141	Cross recessed countersunk head screw 2.2 x 6.5 mm, black
5	PB717	Hinge for rails marimba/xylophone
6	PB718	Hinge for rail #4 marimba artist
7	PM002	Rubber sleeve 11 x 8 x 21, black
8 ^x	PM003	Rubber sleeve 12 x 10 x 23, black
9 ^x	PM006	Plain washer rubber 18 x 10 x 22, black
10	PM016	Rubber distance block
11	PM043	Cilindrical corner pen
12	PM104	Gaf open
13	PM106	Name plate Adams, gold
14	PM112	Name plate "Classic" artist series
15	PM113	Type plate Adams: Marimba Artist
16	PM055	Spacer bracket, 55 mm
17	PM053	Spacer bracket, 205 mm
18	PM054	Spacer bracket, 210 mm

^x Pos #9 is only used at the places as drawn, for the rest of the gafs is used pos#8

Connecting rod assembled

Cat#	Description
PMA74	Connecting rod marimba artist 4 1/3 octave, assembled
PMA75	Connecting rod marimba artist 4 2/3 octave, assembled
PMA76	Connecting rod marimba artist 5 octave, assembled



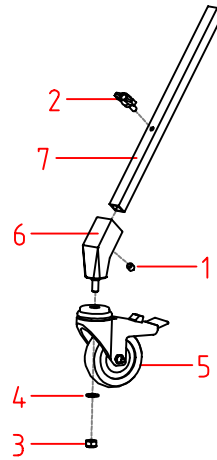
Pos#	Cat#	Description
1	PB098	Hexagon socket set screw M8 x 10, black
2	PB509	Wing screw plastic M8x20, black
3	PB523	Wingnut plastic M8
4	PM021	Steel insert protection
5	PM005	Plain washer rubber M3, black
6	PM024	Connection bracket for connection rod
7	PM046	Brace holder for voyager frame
8	PM045	Brace voyager frame, black
9 ^a	PM057	Connection rod marimba artist, not assembled
9 ^b	-	Cat# is dependet on instrument, see table I

table I (pos 9^b)

Type	Cat#	Description
PMA74	PM066	Connection rod marimba artist 4 1/3 oct., not assembled
PMA75	PM057	Connection rod marimba artist 4 2/3 oct., not assembled
PMA76	PM058	Connection rod marimba artist 5 oct., not assembled

Leg with wheel

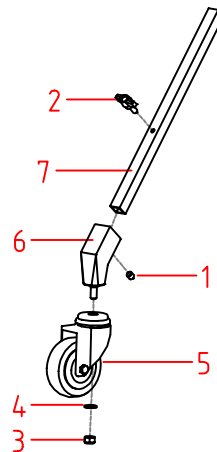
~~Cat# PMA03B~~ Description
Leg with wheel 100mm, with brake



Replaced with
PMA102 &
PMA103

Pos#	Cat#	Description
1	PB099	Hexagon socket set screw M10 x 10, black
2	PB508	Wing screw plastic M8x20, black
3	PB313	Hexagon nut M10
4	PB408	Plain washer M10
5	PBW06	Castor with double break 100mm, black
6	PM070	Wheel holder for voyager frame, black
7	PM039	Leg for marimba artist, black

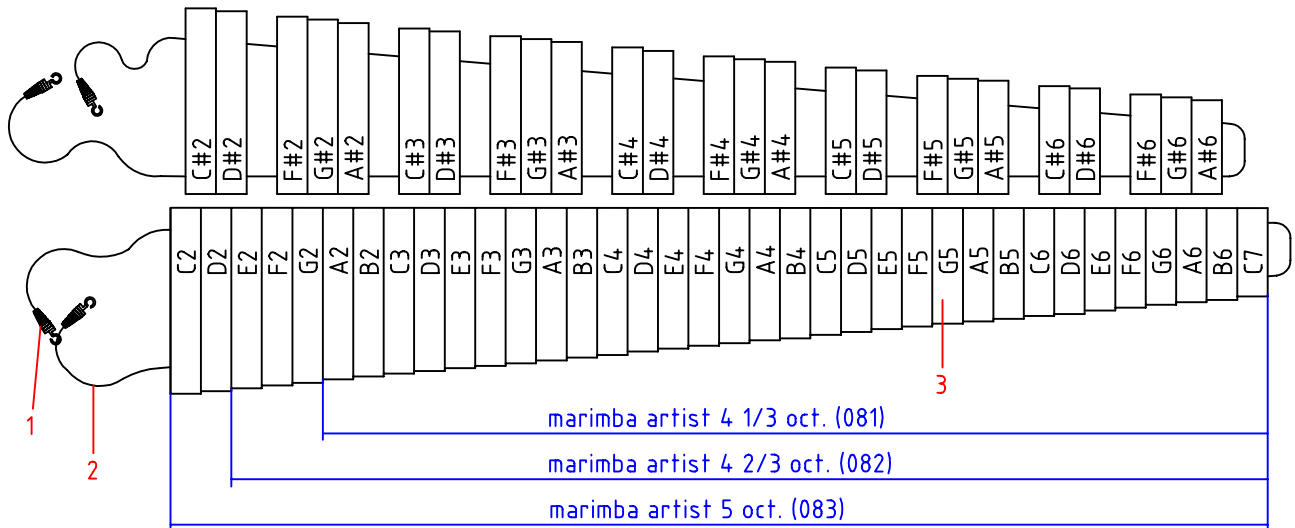
~~Cat# PMA03N~~ Description
Leg with wheel 100mm, without brake



Pos#	Cat#	Description
1	PB099	Hexagon socket set screw M10 x 10, black
2	PB508	Wing screw plastic M8x20, black
3	PB312	Hexagon nut M10
4	PB408	Plain washer M10
5	PBW07	Castor without brake 100 mm, black
6	PM070	Wheel holder for voyager frame, black
7	PM039	Leg for marimba artist, black

Set of bars

Cat#	Description
081	Set of bars for marimba artist 4 1/3 oct. A2-C7, rosewood
082	Set of bars for marimba artist 4 2/3 oct. E2-C7, rosewood
083	Set of bars for marimba artist 5 oct. C2-C7, rosewood



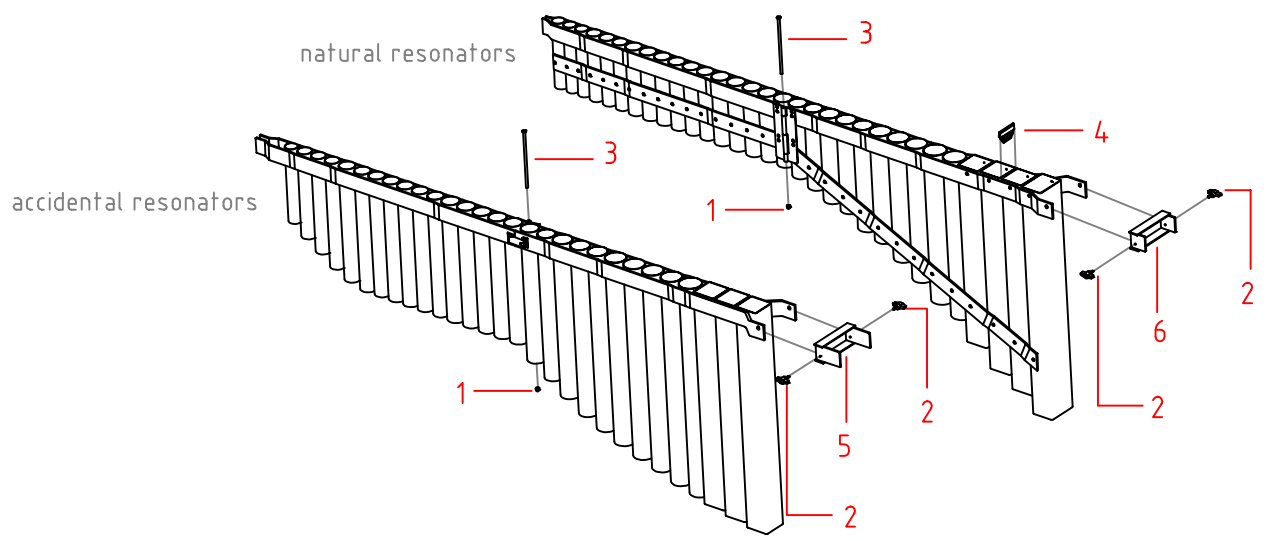
Pos#	Cat#	Description
1	PBC17	Spring for cord bars
2	-	Cord set complete, cat# is dependent on instrument, see table I
3	-	Bars for marimba artist rosewood cat# = MARW + note e.g. MARWC4

table I (pos 2)

Type	Cat#	Description
081	PM126	Cord set complete for marimba artist 4 1/3 oct. (2 cords + 4 springs)
082	PM127	Cord set complete for marimba artist 4 2/3 oct. (2 cords + 4 springs)
083	PM128	Cord set complete for marimba artist 5 oct. (2 cords + 4 springs)

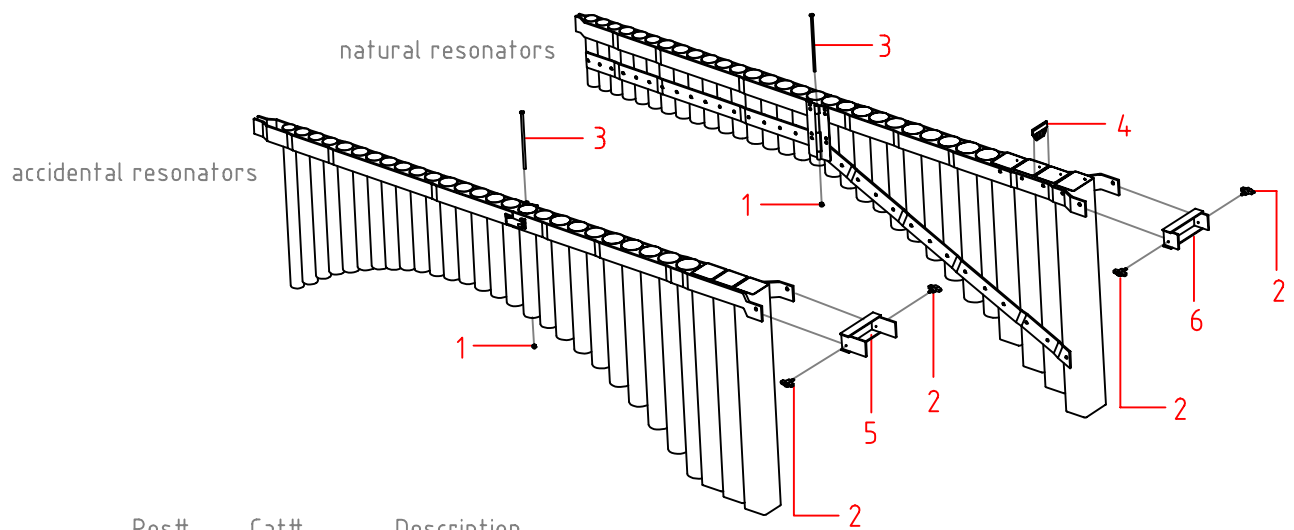
Set of resonators A2-C7

Cat#	Description
001	Set of resonators for MAHV, A2-C7
001A	Accidental resonators for MAHV, A#2-A#6
001B	Natural resonators for MAHV, A2-C7



Pos#	Cat#	Description
1	PB321	Hexagon domed cap nut m6, black
2	PB505	Wing screw plastic (wingwith 40 mm) m6x15
3	PB712	Hinge bolt m6x175 mm, black
4	PM162	Rubber partition part, 65 mm
5	PM025	Suspension bracket grey, accidental notes
6	PM026	Suspension bracket grey, natural notes

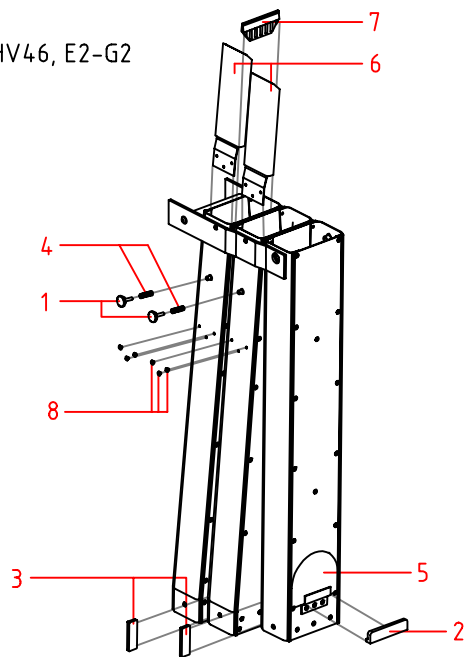
Cat#	Description
002	Set of resonators for MAHC Classic, A2-C7
002A	Accidental resonators for MAHC Classic, A#2-A#6
002B	Natural resonators for MAHC Classic, A2-C7



Pos#	Cat#	Description
1	PB321	Hexagon domed cap nut m6, black
2	PB505	Wing screw plastic (wingwith 40 mm) m6x15
3	PB712	Hinge bolt m6x175 mm, black
4	PM162	Rubber partition part, 65 mm
5	PM027	Suspension bracket black, accidental notes
6	PM028	Suspension bracket black, natural notes

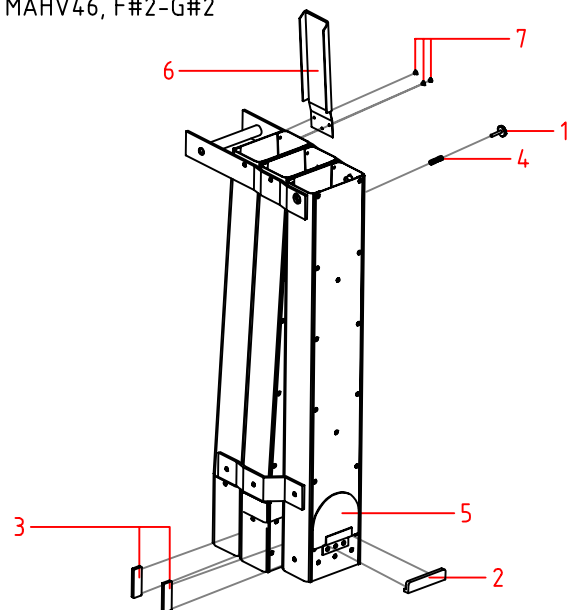
Set of resonators MA46

Cat# 013N Description Set of natural resonators MAHV46, E2-G2



Pos#	Cat#	Description
1	PB502	Knurled screws plastic m5x25, black
2	PM019	Protecting part for resonator connection, 90mm
3	PT013	Foam rubber 60x20x10, black
4	PBC12	Spring dr:0.6 du:8 nt:12.25 lo:28
5	PM159	Protective felt, black
6	PM160	Fine tuner resonators marimba artist
7	PM163	Rubber partition part, 90mm
8	PB604	Blind rivet

Cat# 013A Description Set of accidental resonators MAHV46, F#2-G#2

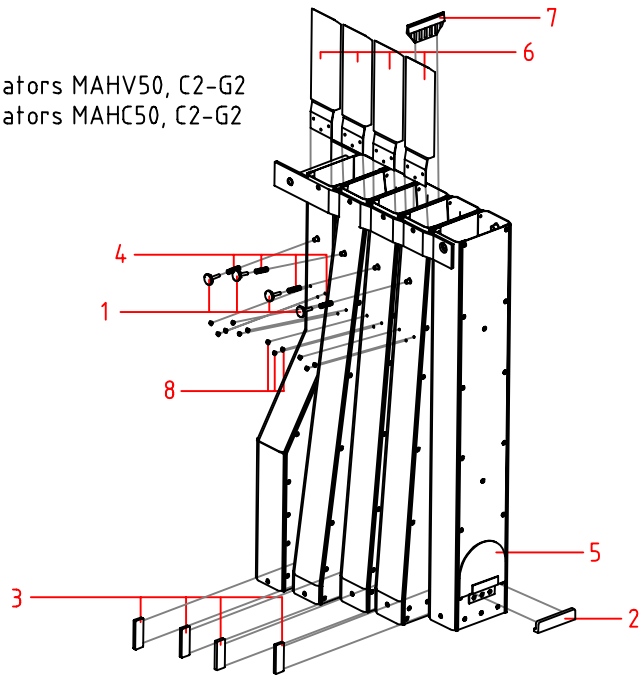


PM018

Pos#	Cat#	Description
1	PB502	Knurled screws plastic m5x25, black
2	PM019	Protection part for resonator connection, 80mm
3	PT013	Foam rubber 60x20x10, black
4	PBC12	Spring rubber dr:0.6 du:8 nt:12.25 lo:28
5	PM159	Protective felt, black
6	PM160	Finetuner resonators marimba artist
7	PB604	Blind rivet

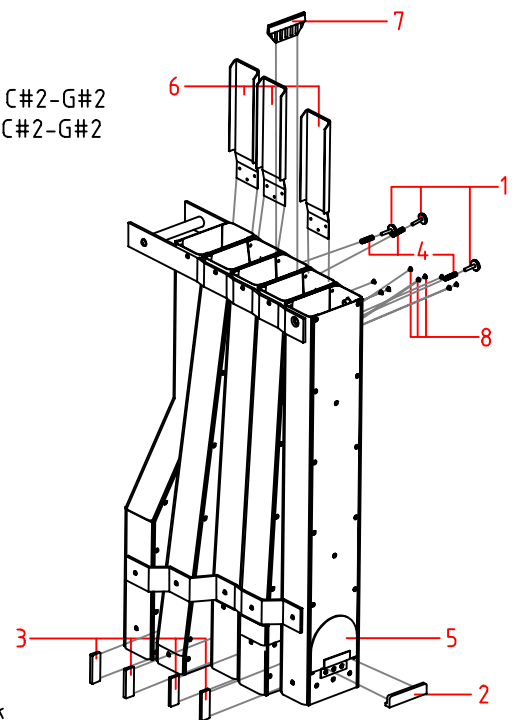
Set of resonators MA50

Cat#	Description
014	Set of natural resonators MAHV50, C2-G2
016	Set of natural resonators MAHC50, C2-G2



Pos#	Cat#	Description
1	PB502	Knurled screws plastic m5x25, black
2	PM019	Protecting part for resonator connection, 90mm
3	PT013	Foam rubber 60x20x10, black
4	PBC12	Spring dr:0.6 du:8 nt:12.25 lo:28
5	PM159	Protective felt, black
6	PM160	Fine tuner resonators marimba artist
7	PM163	Rubber partition part, 90mm
8	PB604	Blind rivet

Cat#	Description
015	Set of accidental resonators MAHV50, C#2-G#2
017	Set of accidental resonators MAHC50, C#2-G#2



PM018

Pos#	Cat#	Description
1	PB502	Knurled screws plastic m5x25, black
2	PM019	Protection part for resonator connection, 80mm
3	PT013	Foam rubber 60x20x10, black
4	PBC12	Spring rubber dr:0.6 du:8 nt:12.25 lo:28
5	PM159	Protective felt, black
6	PM160	Finetuner resonators marimba artist
7	PM163	Rubber partition part, 90mm
8	PB604	Blind rivet