



# MIDTOWN

## Instruction Manual

Congratulations on your purchase!  
For optimum performance, please read this Instruction Manual before playing.

### Contents

· Bass Drum Shell .....	x1	· Floor Tom Tension Rods .....	x12
· Bass Drum Heads .....	x1pr	· Floor Tom Legs .....	x3
· Bass Drum Hoops .....	x1pr	· Hi-Hat Stand .....	x1
· Bass Drum Tension Rods, Claws .....	x12	· Drum Pedal .....	x1
· Bass Drum-Mounted Cymbal Holder .....	x1	· Pedal Clamp Plate .....	x1
· Tom Tom .....	x1	· Snare Drum .....	x1
· Tom Holder .....	x1	· Snare Stand .....	x1
· Floor Tom Shell .....	x1	· Cymbal Boom Stand .....	x1
· Floor Tom Heads .....	x1pr	· Tuning Key .....	x1
· Floor Tom Hoops .....	x1pr		



Set-Up Example

# SAFETY PRECAUTIONS FOR ASSEMBLY AND USE

Thank you for choosing Pearl! Before use, please follow these instructions carefully for safe and proper assembly and operation of your drums, stands, pedals, and accessories. Please keep these instructions in a safe place for future reference.

## Hazard Signs

The three Hazard Signs, as shown below, appear periodically throughout the product instructions to alert the user or others to possible danger or injury. For safe assembly and use of this, or any Pearl product, never ignore a Hazard Sign and ensure the threat level and corresponding instructions are entirely understood.

### Warning

**Risk of fatal or severe personal injury and/or property damage.**

### Caution

**Risk of injury to person(s) handling the equipment and/or to personal property.**

### Note

**The performance or function of the equipment may be adversely affected and may result in permanent damage.**

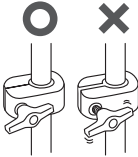
● Pearl Musical Instrument Company and Affiliates cannot be held responsible for personal injuries or property damage caused by the misuse, improper handling, failure to follow product warnings and instructions, or product use outside of its intended purpose.

## SAFETY PRECAUTIONS

### Warning

#### Tighten and Secure All Moving Parts

Ensure all wing bolts, wing nuts, geared tilters, bass drum spurs, and clamps are tight and secure after assembly or adjustment. Failure to do so will cause the hardware to fall over or drop/slip during use and may result in personal injury or property damage.



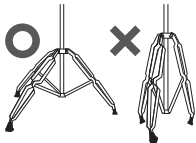
### Caution

#### Avoid Damage To Floor Surfaces

The bass drum spurs and hi-hat stand have sharp tips/anchors to keep them stationary during use. The pointed ends may gouge or damage bare floors, and the rubber tips may cause discoloration to floor surfaces if left in place over time. To prevent floor surface damage, always place the drum-set on carpet or a specially designed drum mat.

#### Stabilizing Stands

Open the tripod base to a wide stance to ensure stability and prevent the stand from tipping over during use. When mounting a tom or boom cymbal, always position them directly over a leg of the tripod for optimum stability.



#### Be Careful Around Drum Sets and Stands

Hardware, drums, cymbals, and percussion devices protruding from drum sets may cause people walking by or children playing nearby to trip and stumble into the drum set resulting in severe bodily injury and/or damage to equipment. Exercise extreme caution when moving about your set and closely supervise children who may be playing in the vicinity of your set.



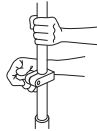
#### Earthquake Precautions

A strong vibration such as an earthquake can cause your drums and hardware to shift and tip over. Stay well clear of falling objects to avoid injury.



#### Adjustments

Use two hands when adjusting the height and angle of drums, cymbals, practice pads, etc. Use one hand to support the object being adjusted to keep it from falling while making adjustments with your other hand.



#### Precautions When Handling Equipment

### Warning

#### Objects with Rough or Pointed Shapes

Some parts, such as knurled posts, hi-hat rods, and tension rods have roughened or pointed shapes that can scratch surfaces or get caught, for example, on clothes or carrying bags. Please handle these parts with extra caution to avoid mishaps.

#### Bass Drum Head Sound Control Hole

Some bass drum heads are equipped with a hole for sound control and microphone placement. The edges of the hole are sharp; use caution to avoid contact to prevent injury when handling, placing microphones, or muffling the drum.

#### Anti-Slip Spikes

The spikes (used on bass drum spurs, hi-hat legs, snare stand legs and some other products) are sharp and can cause serious personal or property injury. To prevent mishaps, use extreme care when handling these products especially when the spike tips are exposed.

#### Folding Stand Legs

When folding the legs on stands, be careful not to pinch your fingers between any moving parts.

#### Handling Tubing

Do not put your fingers into the tubes when handling tubular hardware. Doing so may result in injury.

#### Adjusting Throne Settings

Sitting on a drum seat while adjusting height settings can cause the seat to drop suddenly and pinch your fingers and/or cause other bodily injuries. Sitting on the drum seat while making adjustments may require twisting and reaching that can also cause bodily injuries. To prevent injury, perform these adjustments before sitting, test, and repeat as necessary until the best comfort/support is achieved.

#### Be Careful Using Sticks and Wire Brushes

Sticks and wire brushes are intended for playing the drums and should never be used to hit or to be thrown at people. Doing so can be extremely dangerous.

#### Broken Sticks

Fragments and splinters from broken drumsticks can fly into the air and cause injury to the player and/or to those nearby.



#### The Drum Throne is Not a Step Stool

Standing on a drum throne and using it as a step stool may cause it to break and fall over. Never use the drum throne for anything other than its designated purpose, that is, to sit on while playing.



### Caution

#### Precautions with Oil and Grease

Hardware such as tension rods, wing nuts, and wing bolts are lubricated with grease or oil from the factory. Use caution when handling to avoid skin or clothing contact. If exposed, wash any surface with soap and water immediately.

#### Precautions with Rust or Sharp Edges

Metal parts may become rusty and scratched through use. Rusty surfaces can be sharp, and care must be taken to prevent injury to your hands and feet. Metal surfaces, such as footboards, may develop sharp edges from contact with other stands, especially during transport. Examine metal parts periodically and repair them immediately to prevent injury to your hands and feet.

### Note

#### Metal Care

To prevent rust, all metal parts on drums and hardware should be wiped with a clean dry cloth immediately after exposure to moisture. Periodically polish metal parts to protect against rusting and to maintain the beauty of fittings and hardware. Should rust occur, remove the rust with commercial removal products and use caution to prevent cuts to your hands from sharp edges that may be present.

#### Precautions Regarding High Temperatures and Humidity

Leaving your drums in places with high heat, such as in a car or in direct sunlight, can cause the covering to come loose. To maintain the pristine condition of your drums and hardware, store them in places with controlled and comfortable temperature and humidity.

#### Precautions Regarding High Temperatures and Ultraviolet Light (UV from the Sun)

To maintain the pristine condition of your drum finish covering, avoid long periods of exposure to Ultraviolet Light (direct Sun-Light) or very high temperatures.

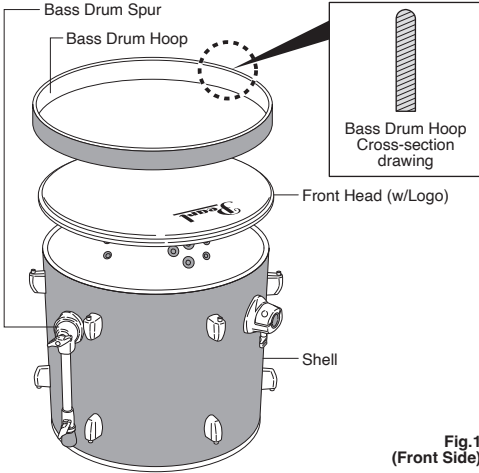
California Proposition 65



## Bass Drum Assembly

The Bass Drum is packed with the Shell, Bass Drum Hoops, Heads and Parts unassembled. Please follow the instructions below to assemble the Bass Drum.

1. Place the Shell on a clean, solid surface with the front side (the side with the Bass Drum Spurs attached) facing upwards. Put the Front Head with Pearl Logo on the Shell then attach the Bass Drum Hoop with flat side down on the Rim of the Head (Fig.1).



### Note

- To identify the top of the drum, check that both the Tom Holder and "L" Rod Cymbal Holder Bracket are present.
- Check to ensure that the front Bass Drum Hoop does NOT include the cutaway for the pedal.

2. Pass a Tension Rod through a Hook, and hook it on the Bass Drum Hoop above a Lug. Finger tighten the Tension Rod into the Lug and do the same with the rest of the Tension Rods/Hooks on this side of the drum (Fig.2). Using a Tuning Key, tighten the Tension Rod until secure.

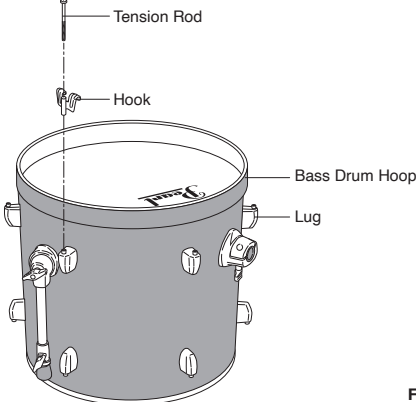
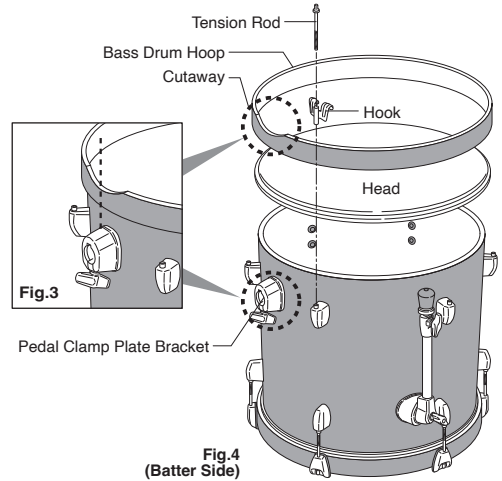
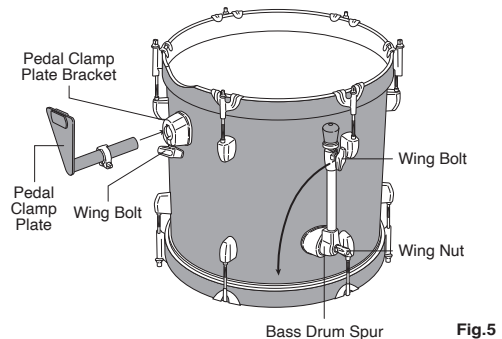


Fig.2

3. Turn the shell over to the batter side and place the other Head and Bass Drum Hoop on the Shell. Position the Bass Drum Hoop so that the cutaway is aligned with the Clamp Plate Bracket (Fig.3). Attach the Tension Rods/Hooks in the same way as the front side (Fig.4).



4. Insert the post of the Pedal Clamp Plate into the Pedal Clamp Plate Bracket as shown and tighten the Wing Nut to secure. Loosen the Wing Nut on the Bass Drum Spur and rotate it to the position shown in Fig.6. Tighten the Wing Nut to secure. Loosen the Wing Bolt and extend the Spurs making sure that both sides are equal in length, and tighten the Wing Bolt to secure. The Bass Drum Spurs have Spike Tips (for added slip resistance) that can be exposed by turning the Lock Nut and Rubber Tip clockwise (Fig.5).



### CAUTION

The Spike Tips are sharp. Be careful not to hurt yourself or others when using them. Use the Spike Tips only on thick carpeted surfaces to prevent damage to the flooring underneath.

## Drum Pedal Setting

Position the Bass Drum upright as shown and attach your Bass Drum Pedal to the Pedal Clamp Plate. Adjust the height of the Pedal Clamp Plate and the length of the Spurs if necessary. When making the adjustment, hold the Bass Drum with one hand to prevent the drum from falling over. When the height is set, make sure to tighten the Wing Bolt on the Clamp Plate Bracket and the Spurs, and the Stop Lock on the Pedal Clamp Plate (Fig.6).

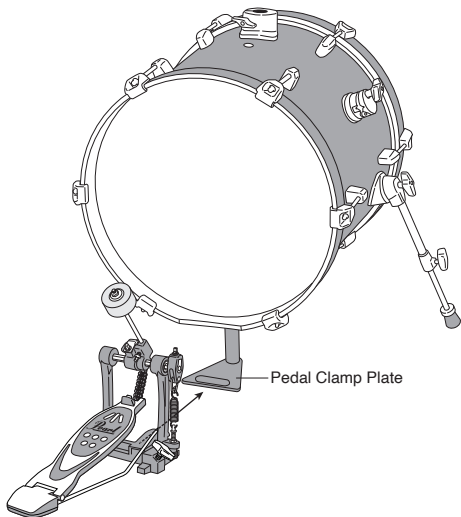
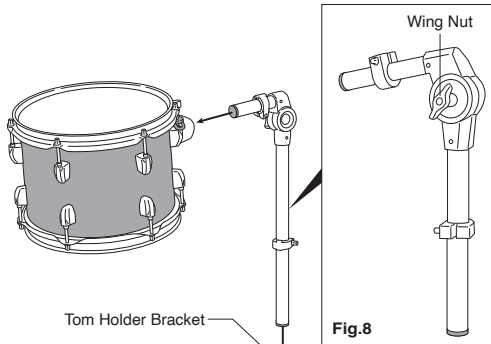


Fig.6

## Tom Tom Setting

Insert the long ends of the Tom Holders into the Tom Holder Bracket on the Bass Drum as shown (Fig.7) and tighten the Wing Nut on the Tom Holder Bracket. Next, loosen the Wing Nut on the Tom Holder. Adjust the angle of the Tom Holder so you can attach the Tom Tom easily then retighten the Wing Nut (Fig.8). Attach the Tom Tom to the other end of the Tom Holder and tighten the Wing Nut on the mounts on the Tom Tom.



Tom Holder Bracket

Fig.8

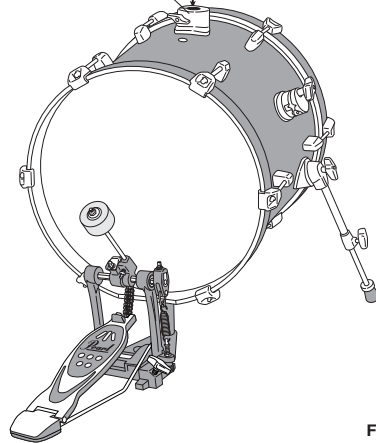


Fig.7

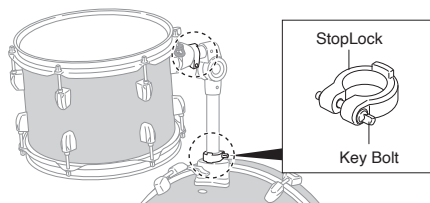


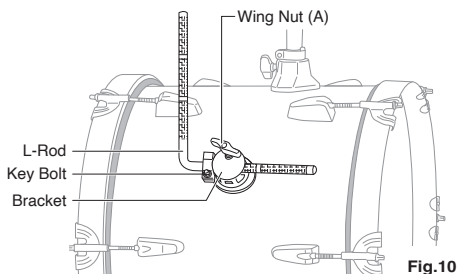
Fig.9

### Note

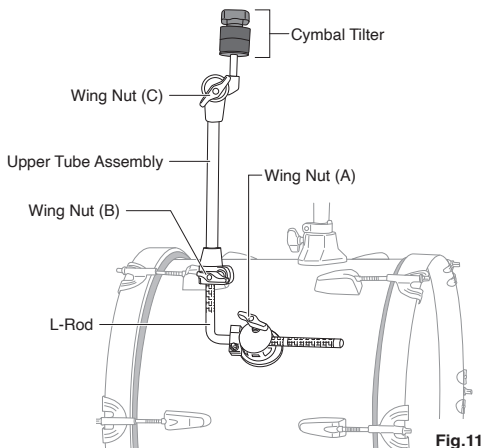
The Tom Holders are equipped with StopLocks that keep the drums from slipping or rotating and to memorize position settings for quick and repeatable set-ups. When the position of the Tom Toms are set, place each StopLock into the slots in the Tom Holder Bracket and the mounts on the Tom Toms to retain these settings (Fig.9).

## Cymbal Holder Assembly

1. Insert the L-Rod into the Bracket and tighten the Wing Nut (A), as shown in (Fig.10).
2. Set the Stop Lock inside the corresponding slot of the Bracket, then tighten the Key Bolt to secure.



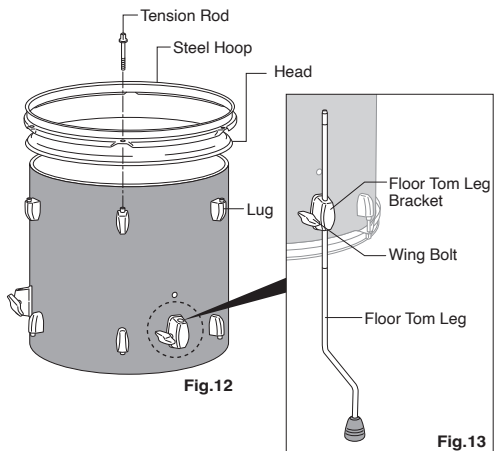
3. Install the Upper Tube Assembly with Tilter onto the L-Rod and set it to the desired height/angle and tighten Wing Nut (B).
4. Loosen Wing Nut (C) of the Upper Tube Assembly w/Cymbal Tilter to set the cymbal tilt.
5. Install the Cymbal onto the Cymbal Tilter and position it to your playing preference and secure all Wing Nut and Stop Lock (Fig.11)



## Floor Tom Assembly

The Floor Tom is packed with the Shell, Steel Hoops, Heads and Floor Tom Legs unassembled. Please follow the assembly instructions below to assemble the Floor Tom.

1. Place the Shell on a clean, solid surface with the batter side facing upwards as shown in Fig.12. Put the Head on the Shell followed by the Steel Hoop.
2. Line up the ears of the Steel Hoop over the Lugs and insert the Tension Rods through the ears. Finger tighten them into all the Lugs on this side of the drum. Using a Tuning Key, tighten the Tension Rods until secure (Fig. 12).
3. Turn the drum over and attach the other Head and Steel Hoop with the remaining Tension Rods.
4. Attach the Floor Tom Legs to the Floor Tom Leg Brackets and set the height and angle to your preference. Tighten the Wing Bolt to secure position (Fig.12,13).



## Hi-Hat Stand Assembly

Open the legs of the hi-hat to form a stable tripod. Insert the ends of the radius rod into the holes near the bottom of the hi-hat base (Fig. 14). Thread the upper pull rod into the connector as shown (Fig. 15).

Place the upper tube over the upper pull rod and into the tripod base and set the height to your preference. Rest the lower hi-hat cymbal on the hi-hat cup. Attach the top hi-hat cymbal to the clutch in the order shown then slide the clutch with the top cymbal attached onto the upper pull rod. Adjust the distance between the top and lower hi-hat cymbals to your preference by stepping on the pedal and tightening the wing-bolt on the clutch when the desired distance is achieved.

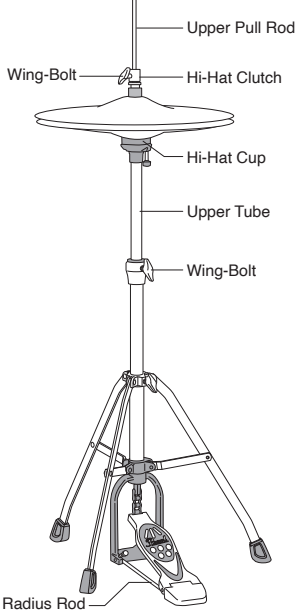


Fig.14

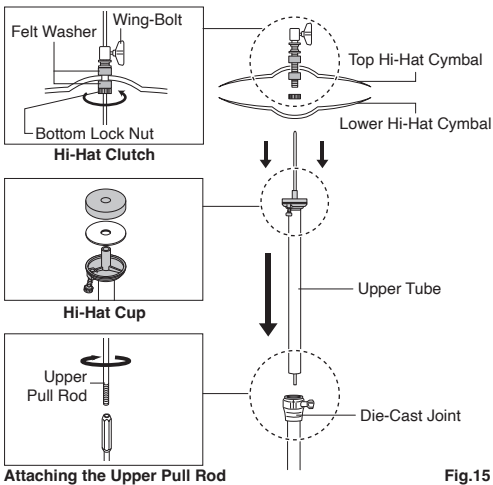


Fig.15

## Drum Pedal Assembly

Insert the ends of the radius rod into the holes near the bottom of the pedal base. With the pedal flat on the floor, insert the beater into the beater holder link and secure it with the provided tuning key (Fig. 16).

Clip the pedal to the Pedal Clamp Plate and tighten the wing-bolt to secure the hoop clamp. Check the key-bolt at the top of the beater angle cam to ensure it is tight. Test the pedal and adjust the spring tension to your preference by adjusting the upper and lower nuts below the spring. To adjust the beater angle, loosen the key-bolt of the beater angle cam and rotate the beater to your preference and tighten. Please note this will also affect the foot-board height (Fig. 17).

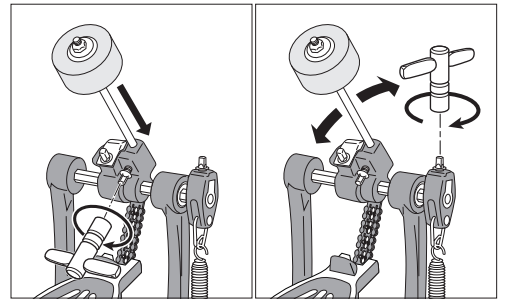
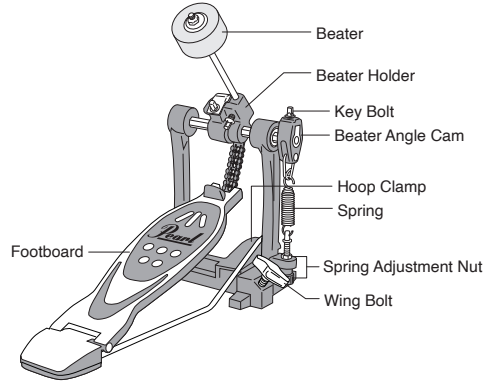


Fig.16

Fig.17

## Snare Stand Assembly

Open the legs of the stand to form a stable tripod and insert the top section into the base. Open the basket and adjust the tilter, so the basket assembly is flat. Adjust the center knob as needed to accommodate the snare drum. Place the snare drum into the basket and tighten the center knob to secure the drum (Do not overtighten) (Fig.18).

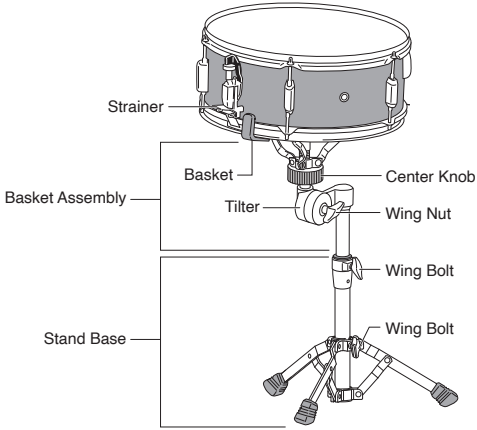
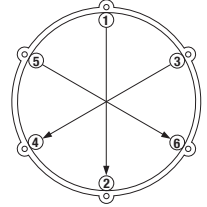


Fig.18

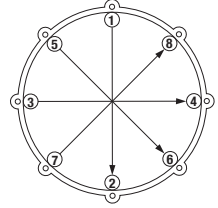
## Basic Tuning

Here is the basic tuning method using the snare drum as an example. Gradually tighten the tension bolts diagonally as shown to raise the overall pitch of the head. Tap the head at each tension rod near the rim (tuning point) as shown below and listen to the pitches. Adjust the tuning as needed to achieve uniform pitch all around the head. Most drummers tune the bottom head of the snare drum slightly higher than the top.



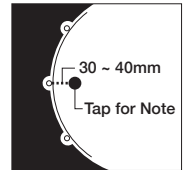
6 / Tension Rod

Basically, the tom toms and bass drum are tuned the same way as the snare drum. However, there are three ways to tune the top and bottom heads: tune both heads to the same pitch, tune the bottom head tighter than the top, or tune the bottom head looser than the top. Experiment to find the tuning method that works best for you.



8 / Tension Rod

If you find that the drums have too much "ring," you can control it with after-market drum heads or muffling devices. A simple and effective way to muffle your bass drum is to put a blanket or pillow inside.



Tuning Point

**⚠ CAUTION**

• Make sure that all Wing Bolts, Wing Nuts, Bolts and  
• Screws on the Stands and the Drums are tight  
• before playing on your drum set.

• Please refer to the Set-Up Example on the cover  
• page of this manual to see the completed kit.

---

California Proposition 65



***Pearl***<sup>®</sup>

<https://pearldrums.com>

Products and specifications are subject to change without notice.

Printed in China  
-2307-