

# PEARL DOUBLE PEDAL COMPLETE

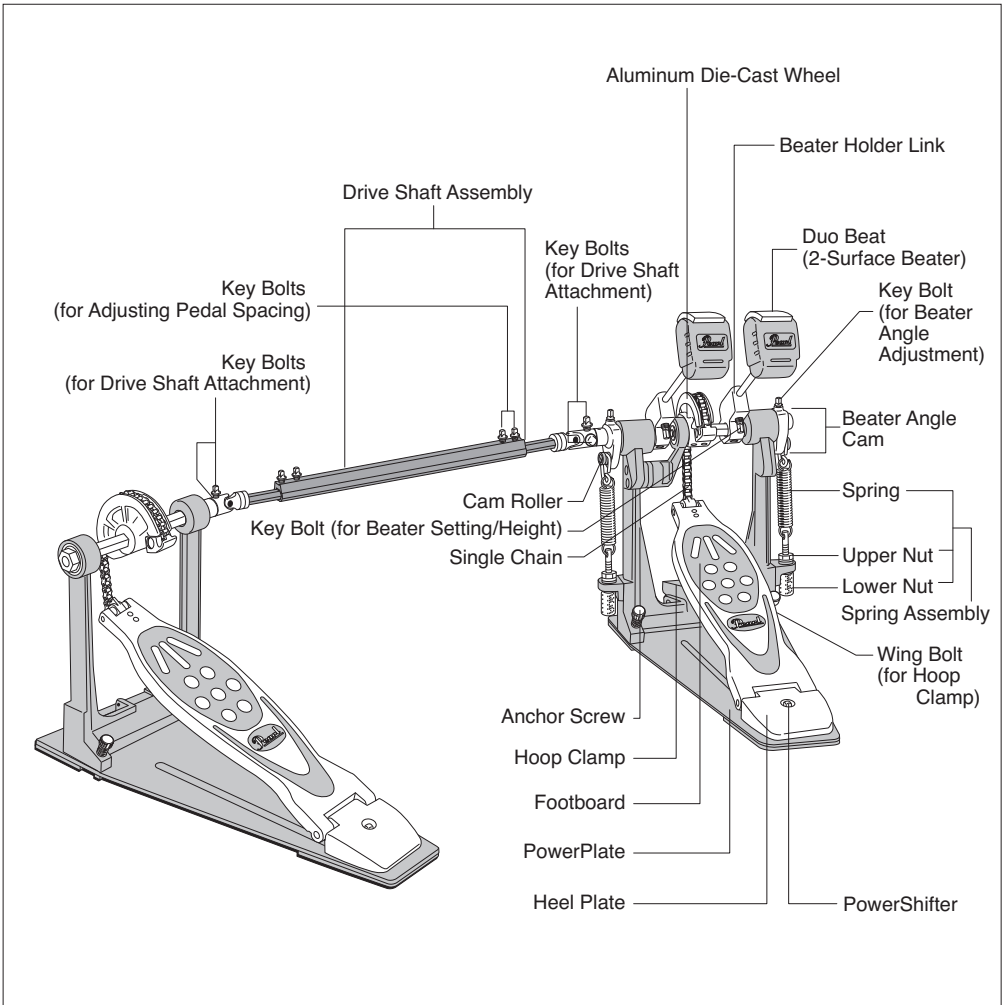
## P-122TW / P-122TWL

## P-121TW (Primary Pedal Only)

### INSTRUCTION MANUAL

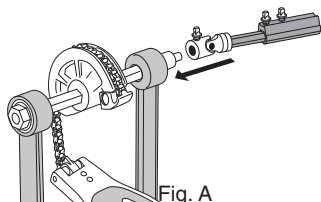
Congratulations on your purchase!

For optimum performance and explanation of the features and adjustments of this pedal, please read this Instruction Manual before playing.

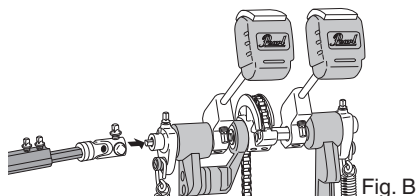


## BASIC SET-UP

1. Connect one end of the Drive Shaft Assembly to the short extension of the axle of the Secondary pedal as shown. (Fig. A)



2. Connect the the other end of the Drive Shaft Assembly to the short extension of the axle on the left side of the Primary pedal as shown. (Fig. B)



Note: You may need to rotate the Drive Shaft Assembly to bring the footboard of the Secondary (left) pedal to the proper playing height (angle) before attaching the Drive Shaft to the Primary pedal.

3. Loosen the Key Bolts on the Center Connecting Tube of the Drive Shaft. Adjust the distance between the Primary pedal and the Secondary pedal to your liking. Re-tighten the Key Bolts. (Fig. C-1)

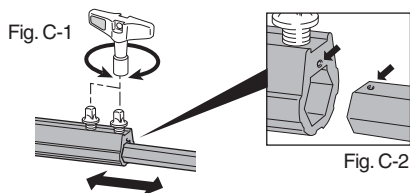


Fig. C-2

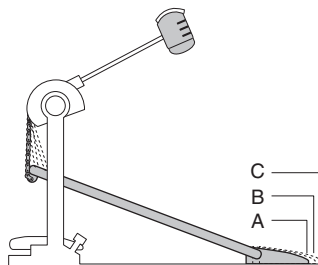
Note :  
If the pedals are extended too far, the Drive Shaft will come apart. Reassemble the Drive Shaft with the dots aligned as shown in Fig. C-2.

## POWERSHIFTER

Your pedal is equipped with Pearl's exclusive PowerShifter function that changes the leverage of the footboard and thus the feel of the pedal. Please refer to the chart below to determine the position best suited to your playing style.

Position	Feel
A	"STRONG"
B	"NORMAL"
C	"LIGHT"

To change the position of the PowerShifter, loosen the Key Bolt in the Heel of the Footboard and move the Footboard to the desired position: A, B, or C. Prongs under the Heel fit into holes in the Power Plate and when properly aligned, the Heel will sit flush against the Power Plate. Re-tighten the Key Bolt to secure the Heel to the Power Plate. Note: The Heel must be flush against the Power Plate or damage to the Pedal may result.



## DUO BEAT (2-Surface Beater)

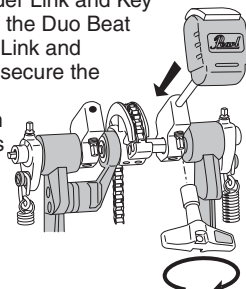
The Duo Beat has two surfaces, each capable of producing a different sound. Please refer to the following chart to determine the sound best suited your playing style:

Surface Material	Contact Area	Sound
A Felt	Line	Warm with Fat Attack
B Plastic	Line	Hard with Fat Attack



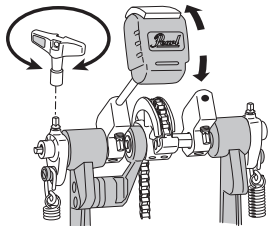
## BEATER SETTING

Locate the Beater Holder Link and Key Bolt. Insert the shaft of the Duo Beat into the Beater Holder Link and tighten the Key Bolt to secure the Beater at the desired height. Experiment with different beater heights to find the best combination of power and speed.



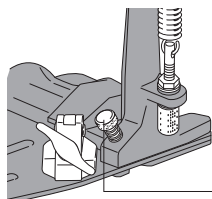
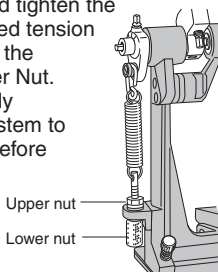
## BEATER ANGLE ADJUSTMENT

Depending on your preference, the beater can be positioned closer or further away from the bass drum head. This is accomplished by loosening the Key Bolt on the Beater Angle Cam and swinging the beater to the desired angle. Re-tighten the Key Bolt.



## SPRING TENSION ADJUSTMENT

To increase the tension of the spring, loosen the Upper Nut and tighten the Lower Nut until the desired tension is achieved. To decrease the tension, loosen the Lower Nut. This adjustment assembly employs a double nut system to retain tension settings. Before playing, make sure that both nuts are tight.



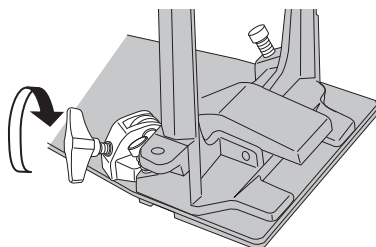
## ANCHOR SCREW

Turn the Anchor Screws clockwise to help prevent your pedals from sliding. Use a rug or carpet to protect floor surfaces.

Anchor Screw

## HOOP CLAMP SYSTEM

Place your pedal on the bass drum hoop and tighten the Wing Bolt to clamp the pedal firmly in place.



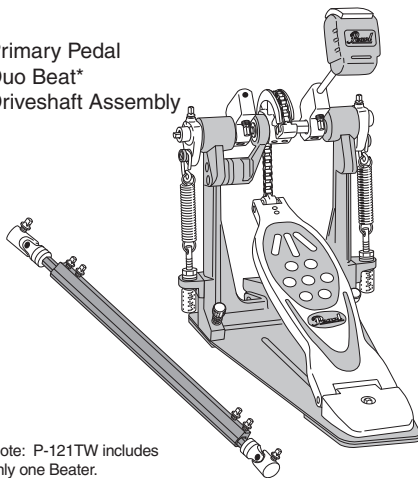
\*\*\*\*\*

## THE P-121TW ADD-ON PEDAL CONVERTS YOUR P-120P SINGLE PEDAL INTO A DOUBLE PEDAL.

\*\*\*\*\*

The P-121TW includes the following components:

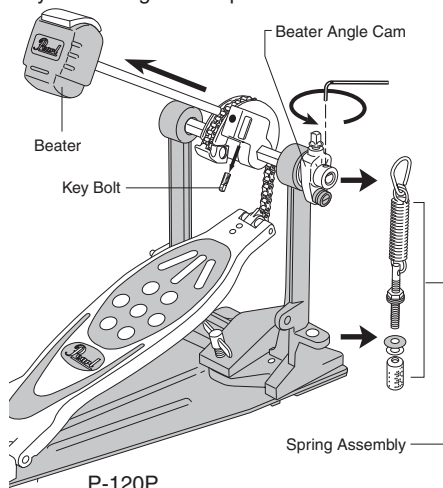
1. Primary Pedal
2. Duo Beat\*
3. Driveshaft Assembly



\*Note: P-121TW includes only one Beater.

## STEP 1

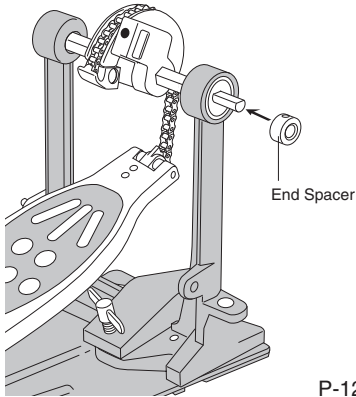
With your drum key and the provided Allen Wrench, remove the Beater, Key Bolt from the Beater Holder Link, Spring Assembly, and the Beater Angle Cam from your existing P-120P pedal as shown.



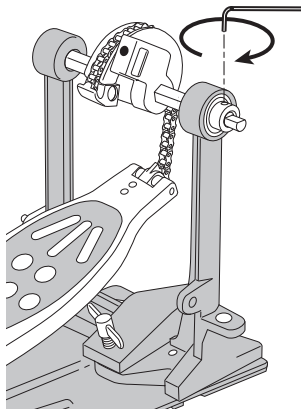
P-120P

## STEP 2

An End Spacer is included with your P-120P (in a polybag). Attach the End Spacer to the axle of the P-120P as shown and tighten the Allen Screw with the provided Allen Wrench. Make sure that the End Spacer fits snugly against the bearing.



P-120P



P-120P

Now, your P-120P pedal can be used as the Secondary pedal and be placed on the left side of the Primary pedal.

Please refer to the Basic Set-up instructions at the beginning of this manual to complete the assembly of your double pedal.

Note: Please retain the parts that were removed from the P-120P (Spring Assembly, Beater Angle Cam, and Key Bolt) should you decide to return it to a single pedal. Please use the beater from P-120P as the second beater on the Primary pedal.

## CAUTION

- Take care when handling or moving the fully assembled P-122TW/122TWL Twin Pedal to prevent damage to the Drive Shaft and its components.
- Periodically check all Allen Screws for tightness and tighten them with the provided Allen Wrenches as needed.
- Periodically apply lube to all moving parts such as the Chain, Cam Roller, Footboard Hinge, etc. for optimal speed and extended life of your pedal. Bearings should be lubricated with grease, not liquid oil.
- To maximize traction of the rubber mats underneath the PowerPlate, keep them clean and dust free using a damp cotton towel.

*Pearl*<sup>®</sup>

The best reason to play drums.