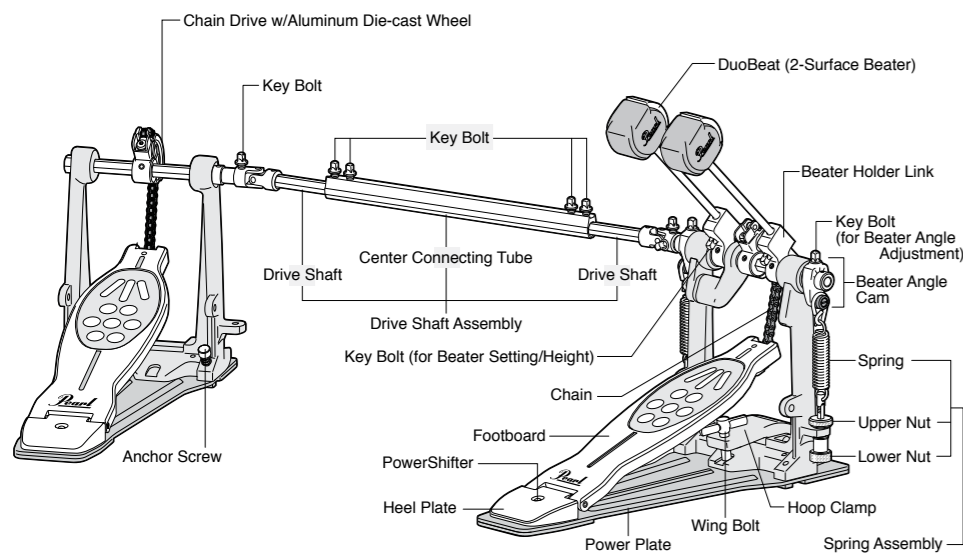


PEARL DRUM PEDAL

P-922 COMPLETE SET

Instruction Manual

Congratulations on your purchase!
To get optimum performance of your "P-922 Drum Pedal,
please read this Instruction Manual before playing.



Beater Setting

Insert the DuoBeat Beater into the Beater Holder Link with the desired face toward the bass drum head. Tighten the Key Bolt with a Tuning Key to secure at your desired height (Fig.1).

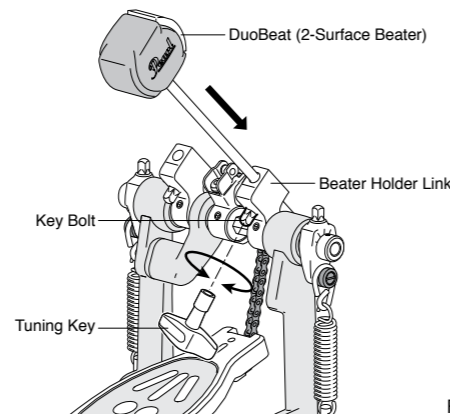


Fig.1

Beater Angle Adjustment

The beater angle can be adjusted by loosening the Key Bolt on the Beater Angle Cam. Adjust to desired setting and tighten Key Bolt to secure (Fig.2). For small incremental changes or to index settings use the Gauge located on the Beater Angle Cam.

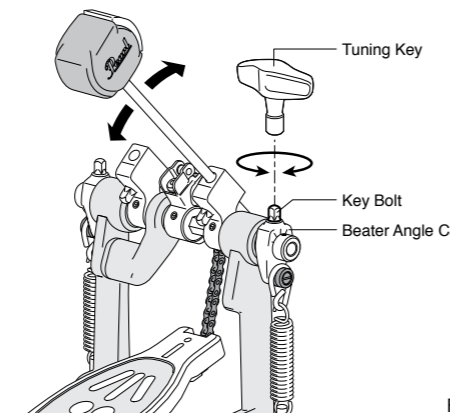


Fig.2

DuoBeat

The DuoBeat Beater features a Felt Surface (A) for a full, warm sound and a Plastic Surface (B) for a sharper, punchier sound. Use the side that best suits your playing style (Fig.3).

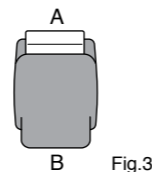


Fig.3

Surface	A	B
Surface Material	Felt	Plastic
Sound	Full, Warm Sound	Shaper, Punchier Sound

Spring Tension Adjustment

To adjust the spring tension, first loosen the Upper Nut. To increase spring tension, turn the Lower Nut clockwise. To decrease spring tension turn the Lower Nut counter-clockwise. Once desired spring tension is achieved, tighten the Upper Nut against pedal frame firmly. Before playing, make sure that both Upper and Lower Nuts are tight (Fig.4).

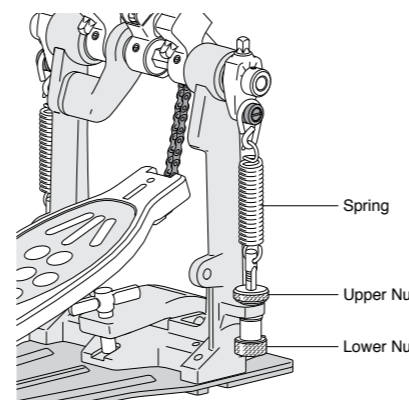


Fig.4

Anchor Screw

To prevent the left Pedal from creeping forward while playing, turn the Anchor Screws clockwise to extend the spikes downward into the floor (Fig.5).

CAUTION

Recommended for carpeted surfaces only. Use on hard flooring may result in damage to the surface from spikes. Check to ensure spikes are retracted when used on these surfaces.

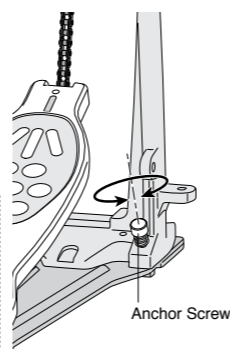


Fig.5

Hoop Clamp Wing Bolt

To attach your pedal to the bass drum, slide the bass drum hoop between the Hoop Clamp and the bottom lip of the pedal. Square the pedal and tighten the Wing Bolt to secure (Fig.6).

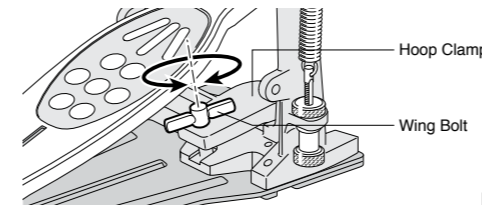
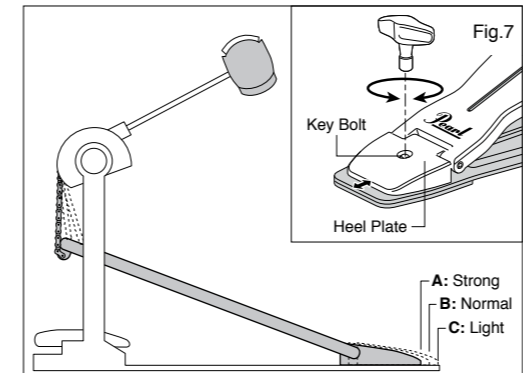


Fig.6

PowerShifter

The PowerShifter function allows you to change the feel and action of the pedal by shifting the footboard position back and forth. To change the position, loosen the Key Bolt in the Heel Plate of the footboard and move the footboard to the desired position: A, B or C. Tighten the Key Bolt again (Fig.7).



Rubber Mats

To maximize traction of the rubber mats underneath the Power Plate keep them clean and dust free using a damp cotton towel.

Connecting the Drive Shaft Assembly

Connect the ends of the Drive Shaft (A) to the short extensions (B) on the Main and Slave Side Pedals. You may need to rotate the Hexagonal Axle on the Slave Side Pedal to bring the footboard of the Slave Side (left) Pedal to the proper playing height (angle) before attaching the Drive Shaft Joints (A) to both pedals. Tighten Key Bolt 1 with the provided Drum Key and then Key Bolt 2 (Figs.8, 9).

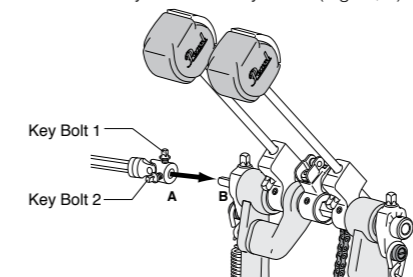


Fig.8

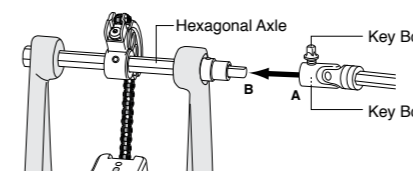


Fig.9

To adjust the length of the Drive Shaft Assembly, loosen the Key Bolts on the Center Connecting Tube. Adjust the length to your liking and make sure that both Drive Shafts are in equal length. Re-tighten the Key Bolts to complete the adjustment (Fig.10).

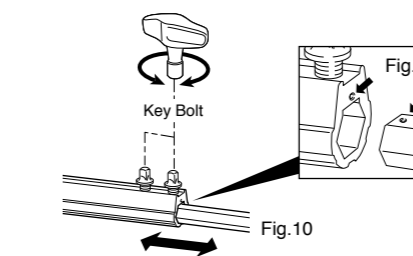


Fig.10

Note

If the Drive Shafts are extended too far, they will separate from the Center Connecting Tube. Reassemble them with the dots aligned as shown in Drawing (Fig.11).

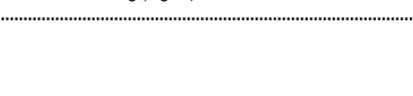


Fig.11