

PEARL DRUM RACK SYSTEM

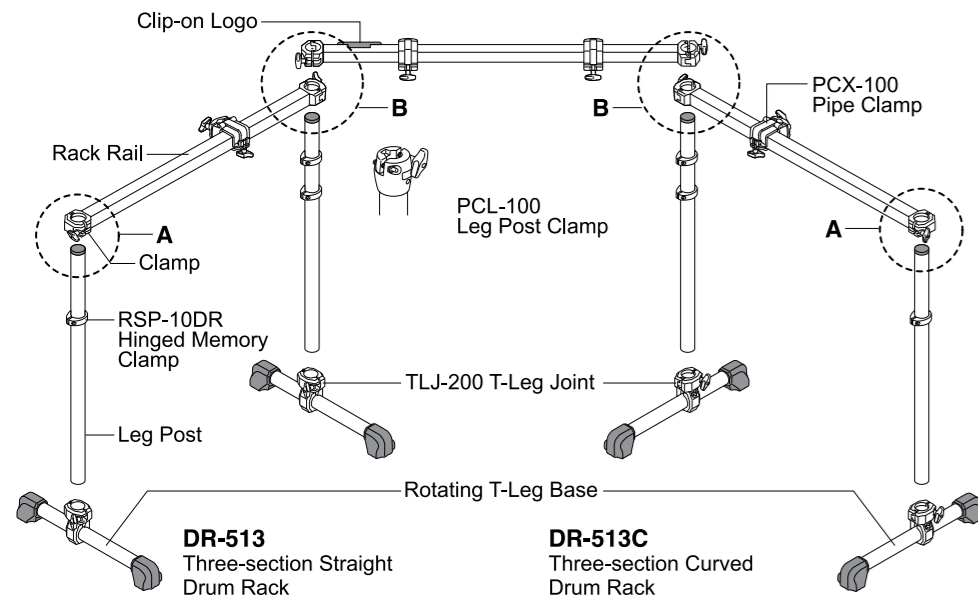
DR 513 / 513C / 511 / 511C

511E / 511CE

Instruction Manual

Congratulations on your purchase of Pearl's ICON Drum Rack System. For best results and optimum performance from your Pearl Drum Rack, please read this Instruction Manual carefully.

The DR-513/DR-513C/DR-511/DR-511C/DR-511E/DR-511CE feature Pearl's exclusive slip-free Icon square support rails for reliable drum and cymbal mounting all around the kit. Each rack rail is independently adjustable and locks in place with our hinged memory clamp (RSP-10DR) for secure settings and quick set-up. The DR-511/511C feature a standard single rail rack design and are ideal for reduced drum or percussion set-ups. The DR-513/513C feature Pearls classic three rail drum rack configuration for an all access mounting platform. Adding DR-511E/511CE Extension units instantly expand your Icon rack for additional drum and cymbal mounting. Each DR-513/513C, DR-511/DR-511C comes standard with two added PCL-100 clamps, turning the support legs into convenient attachment ports for tom arms and cymbal holders.

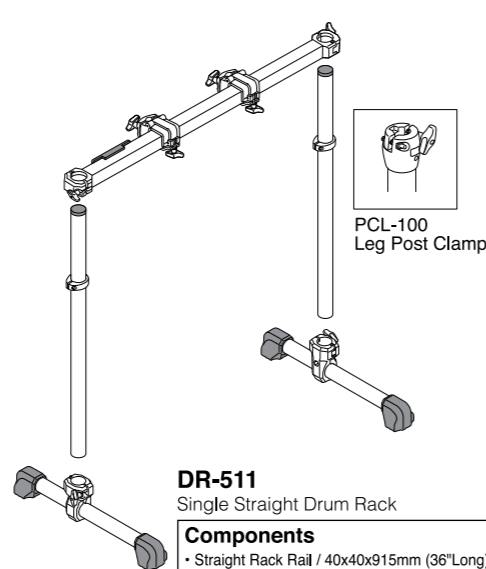


DR-513
Three-section Straight Drum Rack

DR-513C
Three-section Curved Drum Rack

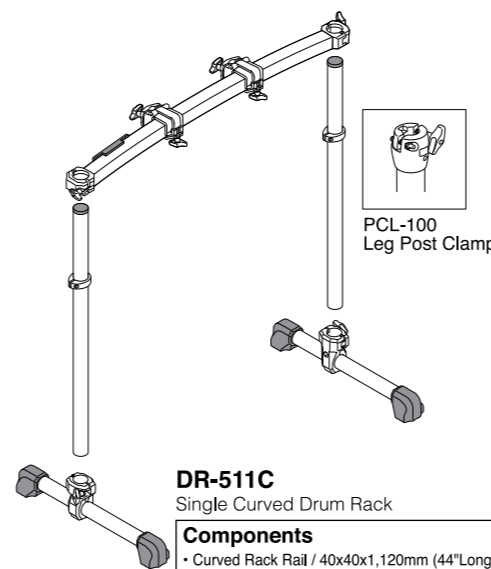
- Components**
- Straight Rack Rail / 40x40x915mm (36"Long) (3)
 - Leg Support Post / 38.1x800mm (31.5"Height) (4)
 - PCL-100 Leg Post Clamp (2)
 - Rotating T-Leg Base / 38.1x475mm (18"Long) (4)
 - TLJ-200 T-Leg Joint (4)
 - RSP-10DR Hinged Memory Clamp (6)
 - PCX-100 Pipe Clamp (4)
 - Clip-on Logo (1)
 - Drum Key (1)
 - Allen Wrench (1)

- Components**
- Curved Rack Rail / 40x40x1,120mm (44"Long) (3)
 - Leg Support Post / 38.1x800mm (31.5"Height) (4)
 - PCL-100 Leg Post Clamp (2)
 - Rotating T-Leg Base / 38.1x475mm (18"Long) (4)
 - TLJ-200 T-Leg Joint (4)
 - RSP-10DR Hinged Memory Clamp (6)
 - PCX-100 Pipe Clamp (4)
 - Clip-on Logo (1)
 - Drum Key (1)
 - Allen Wrench (1)



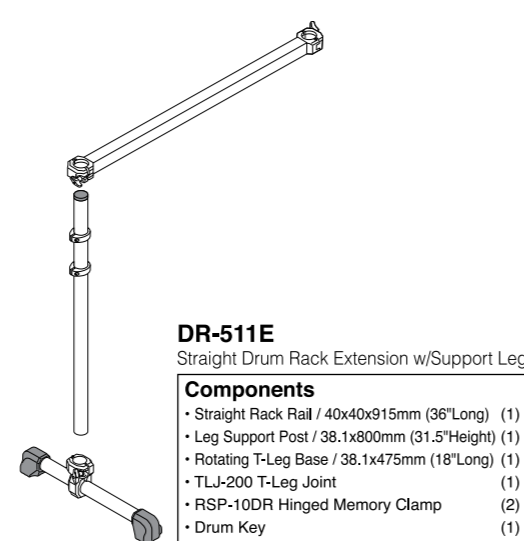
DR-511
Single Straight Drum Rack

- Components**
- Straight Rack Rail / 40x40x915mm (36"Long) (1)
 - Leg Support Post / 38.1x800mm (31.5"Height) (2)
 - PCL-100 Leg Post Clamp (2)
 - Rotating T-Leg Base / 38.1x475mm (18"Long) (2)
 - TLJ-200 T-Leg Joint (2)
 - RSP-10DR Hinged Memory Clamp (2)
 - PCX-100 Pipe Clamp (2)
 - Clip-on Logo (1)
 - Drum Key (1)
 - Allen Wrench (1)



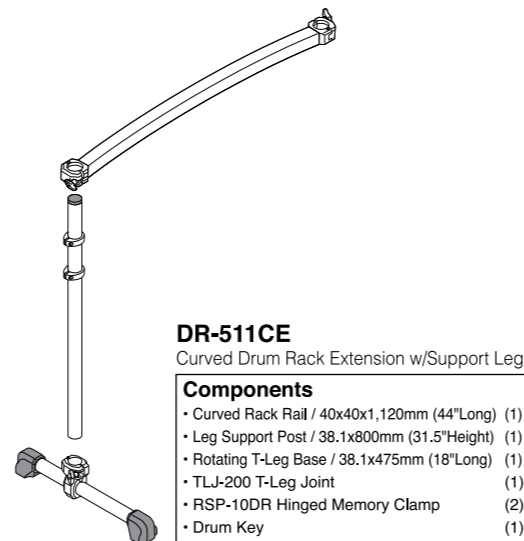
DR-511C
Single Curved Drum Rack

- Components**
- Curved Rack Rail / 40x40x1,120mm (44"Long) (1)
 - Leg Support Post / 38.1x800mm (31.5"Height) (2)
 - PCL-100 Leg Post Clamp (2)
 - Rotating T-Leg Base / 38.1x475mm (18"Long) (2)
 - TLJ-200 T-Leg Joint (2)
 - RSP-10DR Hinged Memory Clamp (2)
 - PCX-100 Pipe Clamp (2)
 - Clip-on Logo (1)
 - Drum Key (1)
 - Allen Wrench (1)



DR-511E
Straight Drum Rack Extension w/Support Leg

- Components**
- Straight Rack Rail / 40x40x915mm (36"Long) (1)
 - Leg Support Post / 38.1x800mm (31.5"Height) (1)
 - Rotating T-Leg Base / 38.1x475mm (18"Long) (1)
 - TLJ-200 T-Leg Joint (1)
 - RSP-10DR Hinged Memory Clamp (2)
 - Drum Key (1)



DR-511CE
Curved Drum Rack Extension w/Support Leg

- Components**
- Curved Rack Rail / 40x40x1,120mm (44"Long) (1)
 - Leg Support Post / 38.1x800mm (31.5"Height) (1)
 - Rotating T-Leg Base / 38.1x475mm (18"Long) (1)
 - TLJ-200 T-Leg Joint (1)
 - RSP-10DR Hinged Memory Clamp (2)
 - Drum Key (1)

Connecting the T-Leg Joint and T-Leg Base

For best stability, set up the T-Leg Base with both base feet flat on the floor. Attach the TLJ-200 T-Leg Joint around the leg base pipe positioned slightly forward from center with the open end facing straight up. Tighten the Key Bolt with the included drum key to secure in place (Fig. 1, 2).

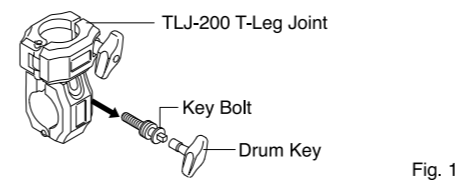


Fig. 1

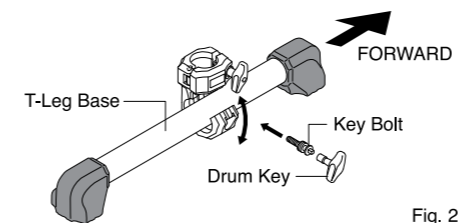


Fig. 2

Note
The T-Leg Joint should be positioned away from the player on the leg base pipe to insure proper weight balance all around the rack.

Connecting Leg Post

Insert the Leg Post into the top of the T-Leg Joint, and securely tighten the Wing Nut (Fig.3).

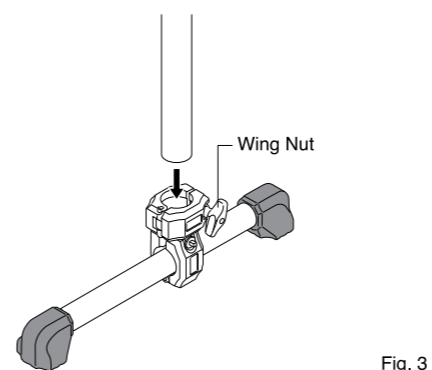


Fig. 3

Connecting the Bar and Leg Post

Loosen the key bolt on the Hinged Memory Clamp and set around the leg post at the height desired for the main rack rail. Attach the clamp at the end of the Rack Rail around the leg post, resting on the Hinged Memory Clamp. Securely tighten the wing nut on the clamp and repeat the process on the corresponding side. Adjust for height until the feet are flush with the floor (Fig.4).

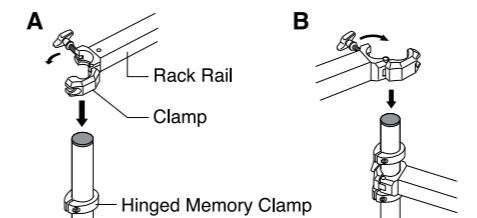


Fig. 4

Connecting Extension Units

The DR-511E and DR-511CE come with two Hinged Memory Clamps on the Main Leg Post. Before connecting the Rack Rail, remove one of the Hinged Memory Clamps and attach it to the Leg Post of the existing Drum Rack at the desired location (Fig.5).

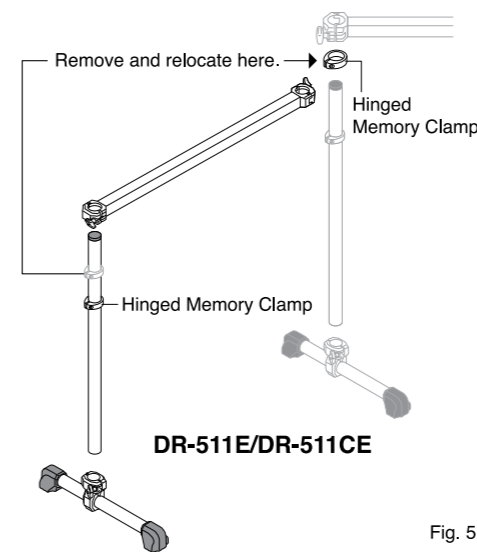


Fig. 5

PCL-100 Bracket

DR-513/513C and DR-511/DR-511C racks come standard with two added PCL-100 clamps (included, not attached,) for mounting tom arms and cymbal holders to the Leg Posts.

To install, first remove the Caps from the Leg Posts. Place the PCL-100 Bracket on the top of the Leg Post and secure it by tightening the Allen screws with the provided Allen Wrench (Fig.6).

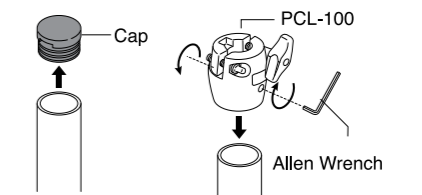


Fig. 6

Note
Additional brackets can be purchased separately.

Note
The PCL-100 accepts Tom Arms and Cymbal Holders 22.2mm (7/8") in diameter.

PCX-100 Pipe Clamp

DR-513/513C and DR-511/511C are equipped with PCX-100 Pipe Clamp. To attach to the Rack Rail, loosen the Wing Nut, open the hinged clamp, and slide into place as shown in Fig.7-a. Latch securely Fig.7-b.

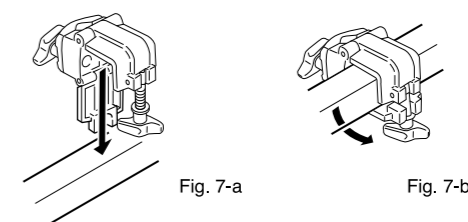


Fig. 7-a

Fig. 7-b

Note
The PCX-100 accepts Tom Arms and Cymbal Holders 15.9 to 28.6mm (5/8" to 1-1/8") in diameter.

PCX-200 Pipe Clamp

The optional PCX-200 Pipe Clamp features a tilting bracket for added versatility. To attach the PCX-200, loosen the Wing Nut, open the hinged clamp, and slide the PCX-200 onto the bar as shown in Fig.8-a. Latch securely Fig.8-b.

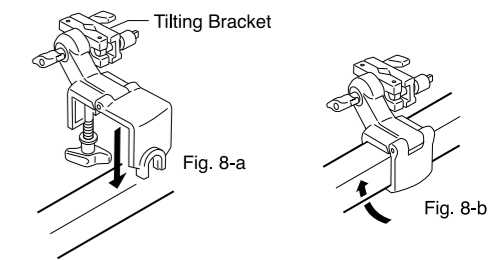


Fig. 8-a

Fig. 8-b

Note
The PCX-200 accepts Tom Arms and Cymbal Holders 12.7 to 28.6mm (1/2" to 1-1/8") in diameter.

Caution

- Repositioning Pipe Clamps
To prevent damage to drums, cymbals, or accessories remove them prior to repositioning the Pipe Clamps.
- Adjusting Rack Bars
To prevent damage to drums, cymbals, or accessories remove them prior to repositioning the Rack Bars.

Pearl

http://www.pearldrums.com
Products and specifications are subject to change without notice.
Printed in China